

# How To.

## INSTALLATION GUIDE



### BEFORE YOU START

#### PRIOR TO INSTALLATION

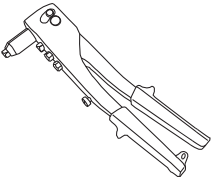

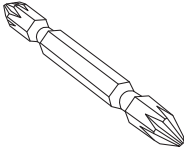
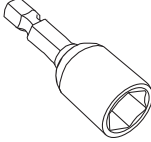
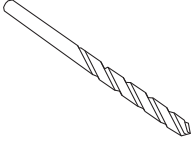



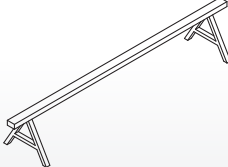
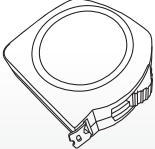
To ensure that the installation and erection of your Pool Pump Filter Storage Shed proceeds smoothly you should confirm that all the components and materials listed on the components section have been supplied. Carefully read this installation guide to familiarise yourself with all the steps involved and ensure that you have the correct tools and equipment for the job.

Pool Pump Filter Storage Sheds must be securely bolted to a permanent concrete base with sufficient masonry anchors securing all four corners of the shed to prevent wind uplift.

#### IMPORTANT NOTES:

1. It is essential to clear and level the site prior to assembling your Pool Pump Filter Storage Shed.
2. Brush off any metal filings as you go. Loose metal filings can cause premature corrosion.
3. Note there are different types and colours of screws. Ensure that the right type and colour screw is being used at each location.
4. Stability and performance of the shed relies on the door being closed during high wind events.
5. Do not traverse the roof of the Pool Pump Filter Storage Shed .
6. Use heavy gloves when handling steel sheeting and flashings and never attempt to install a shed in windy conditions.

### TOOLS & SAFETY GEAR

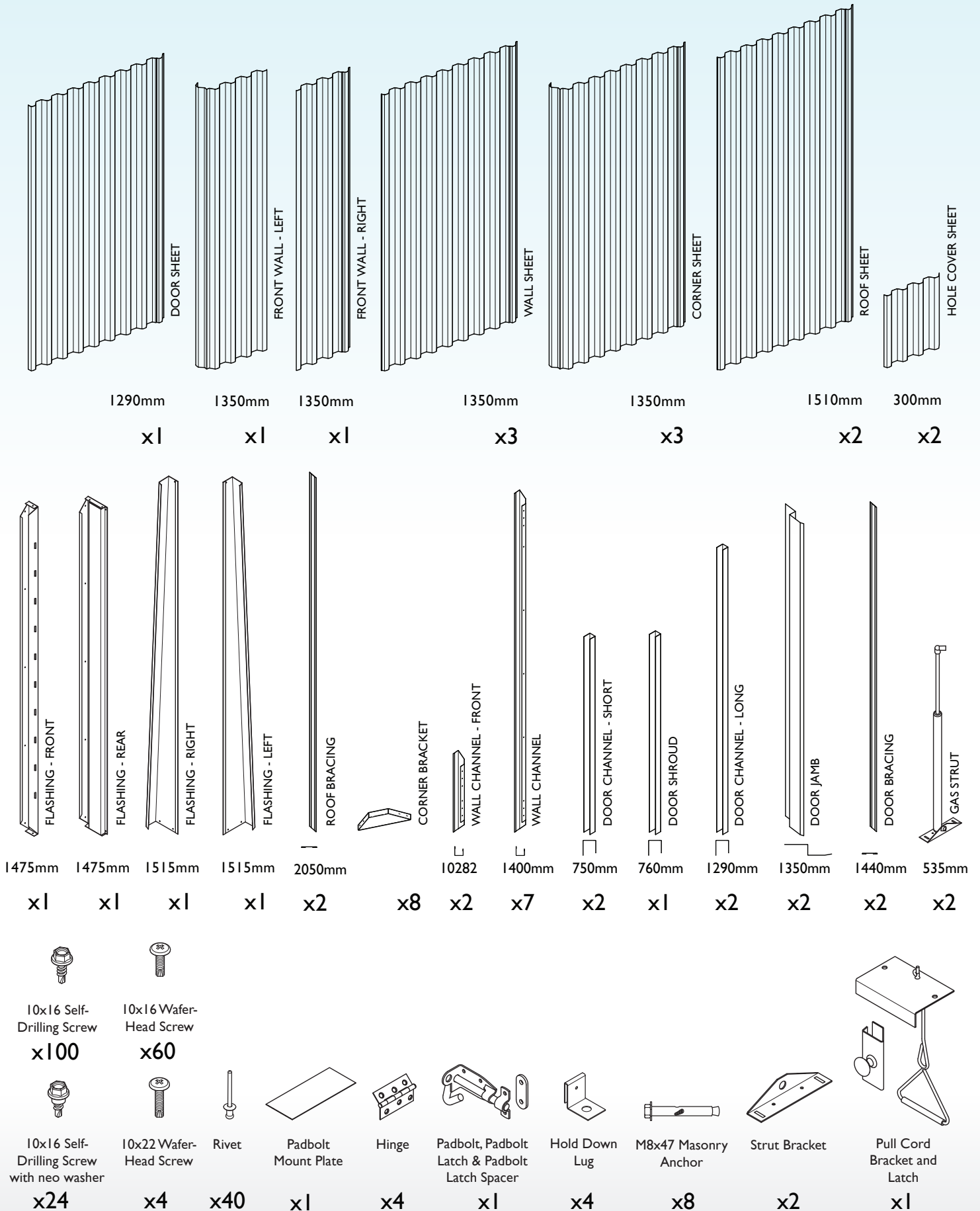
				
Rivet Gun	Power Drill	Phillips Head Driver	Hex Head Driver	3.5mm Drill Bit & 10mm Masonry Bit
				
Gloves	Safety Glasses	Step Ladder	2 x Trestle / Saw-horse	Tape Measure

# STRATCO POOL PUMP FILTER STORAGE SHED

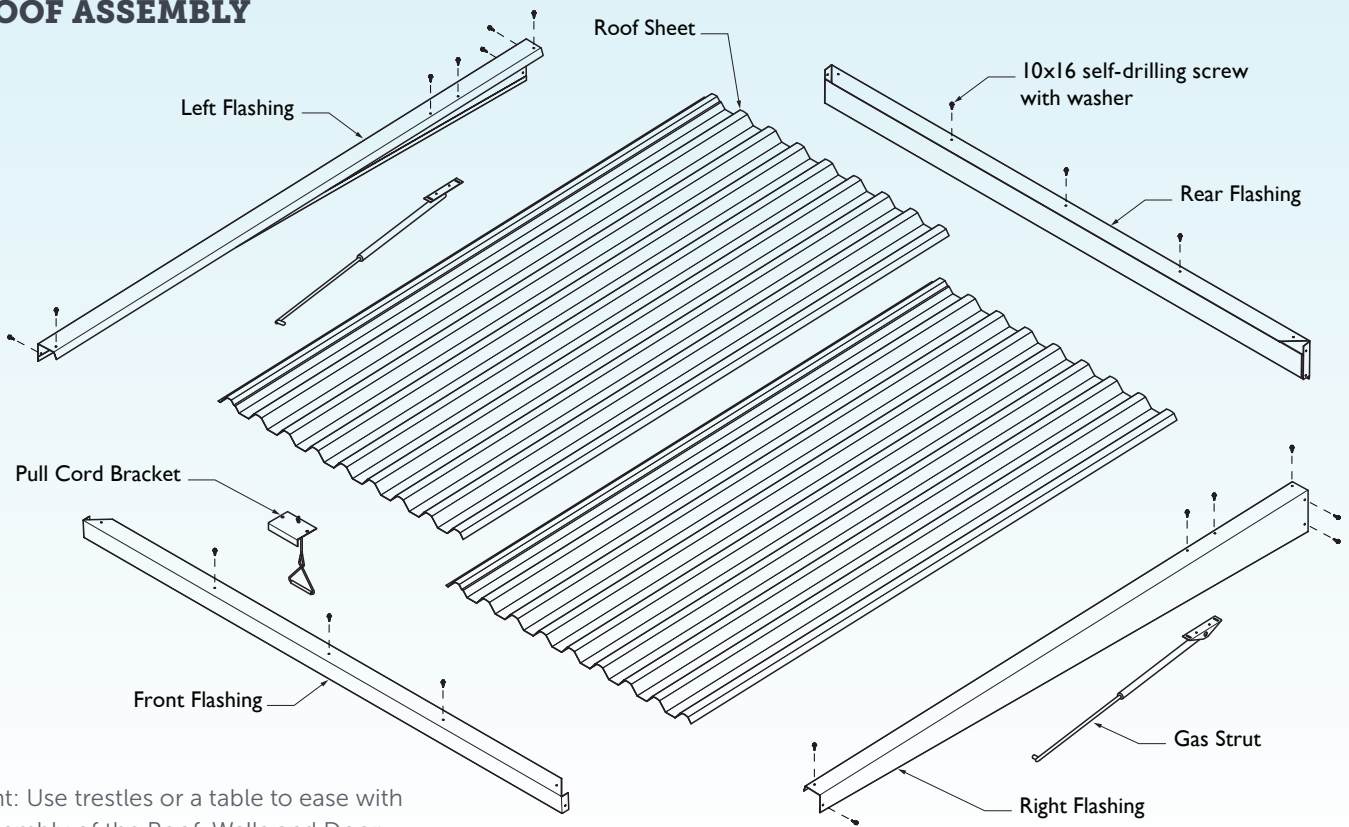
## INSTALLATION GUIDE

# POOL PUMP FILTER STORAGE SHED INSTALLATION GUIDE

## COMPONENTS



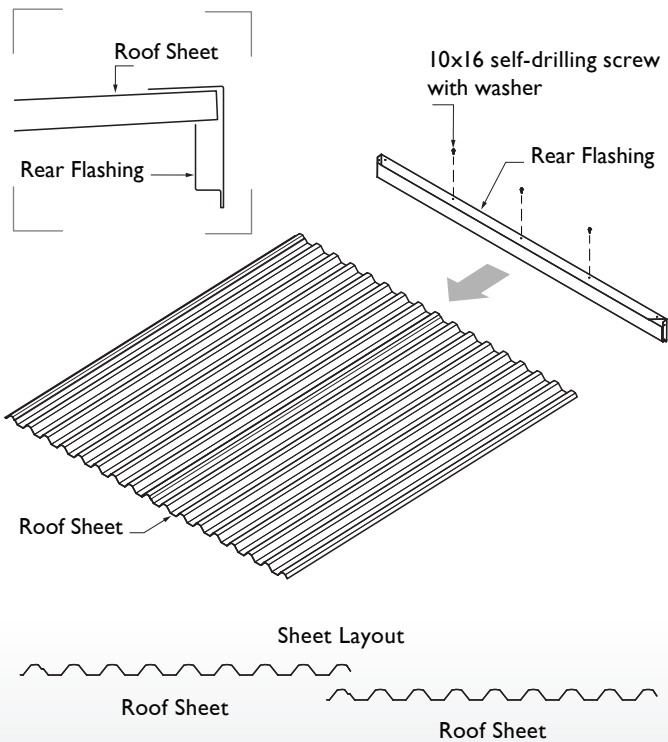
## ROOF ASSEMBLY



Hint: Use trestles or a table to ease with assembly of the Roof, Walls and Door.

Figure 1.0

Fit the Roof Sheets into the Rear Flashing. Fasten three 10x16 self-drilling screws with washer through the Rear Flashing and into the Roof Sheets.



Fit the Left and Right Flashings onto the Roof Sheets. Fasten three 10x16 self-drilling screws with washer through each of the Side Flashings and into the Rear Flashing.

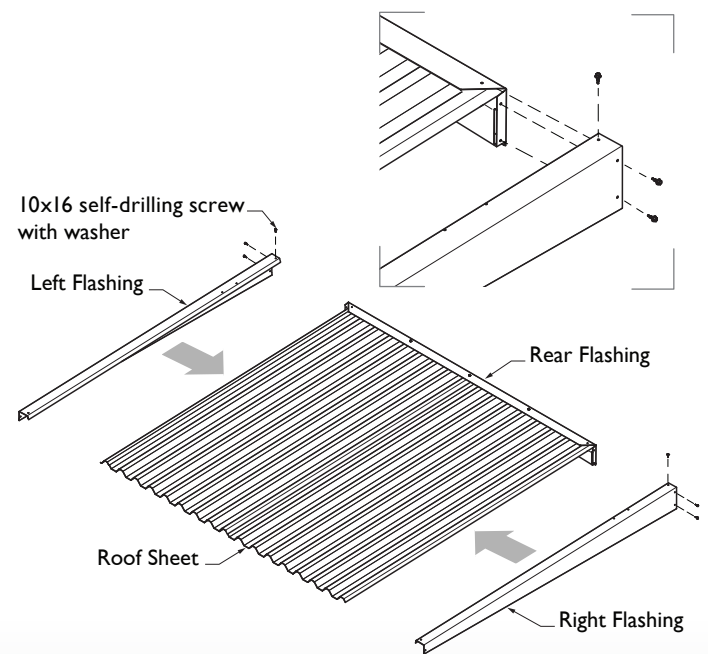


Figure 1.2

Figure 1.1

# POOL PUMP FILTER STORAGE SHED INSTALLATION GUIDE

Fit the Front Flashing onto the Roof Sheets. Fasten seven 10x16 self-drilling screws with washer through the Front Flashings and into the Side Flashings and Roof Sheets.

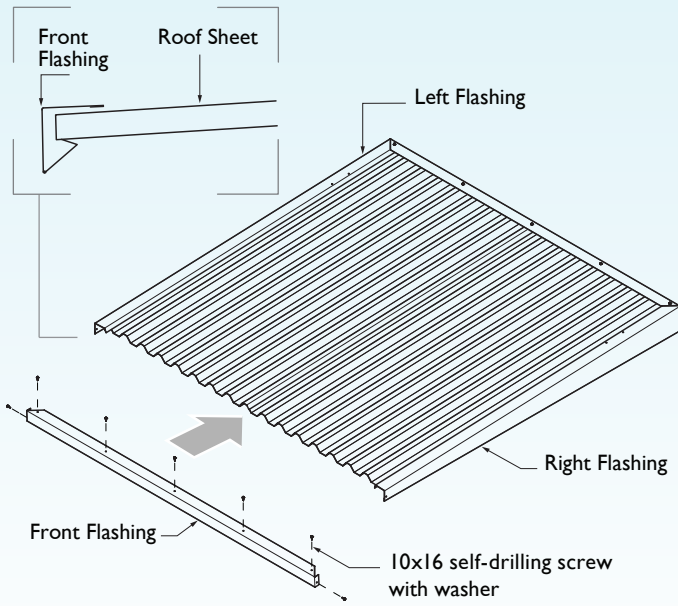


Figure I.3

For easy assembly of the Gas Struts, lay the Roof on it's side. Fasten two 10x16 self-drilling screws with washers through the Side Flashing and into the Roof Sheet on both sides.

Fit the slotted holes of the Gas Strut Bracket against the 10x16 self-drilling screws, ensuring the Gas Strut Bracket is aligned to the middle of the Roof Sheet pan.

Fasten the 10x16 self-drilling screws to the Gas Strut Bracket.

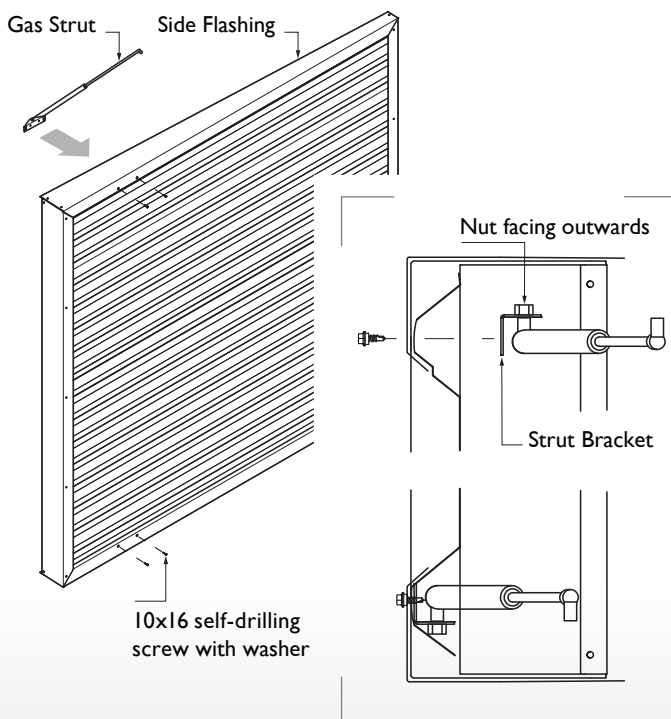


Figure I.4

Flip over the Roof, so that the underside is facing up. Fit the Pull Cord Latch into the Front Flashing. Ensure a 250mm spacing from the Pull Cord Latch end to the Side Flashing. Fasten two 10x16 Wafer-Head Screws through the Pull Cord Latch and into the Roof Sheet.

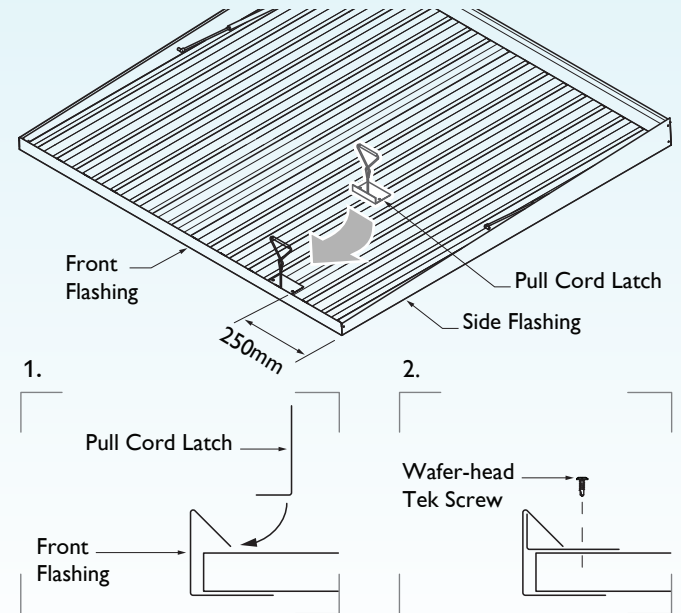


Figure I.5

Fit the two Roof Braces diagonally across the Roof. Drill 3.5mm holes through the Roof Braces and into every second rib of the Roof Sheets, as indicated by the 'X' marks below. Rivet through the Roof Sheets into the Roof Braces.

! - To help keep the Roof Brace in position, drill and rivet the four end holes first. Then drill and rivet the remaining holes.

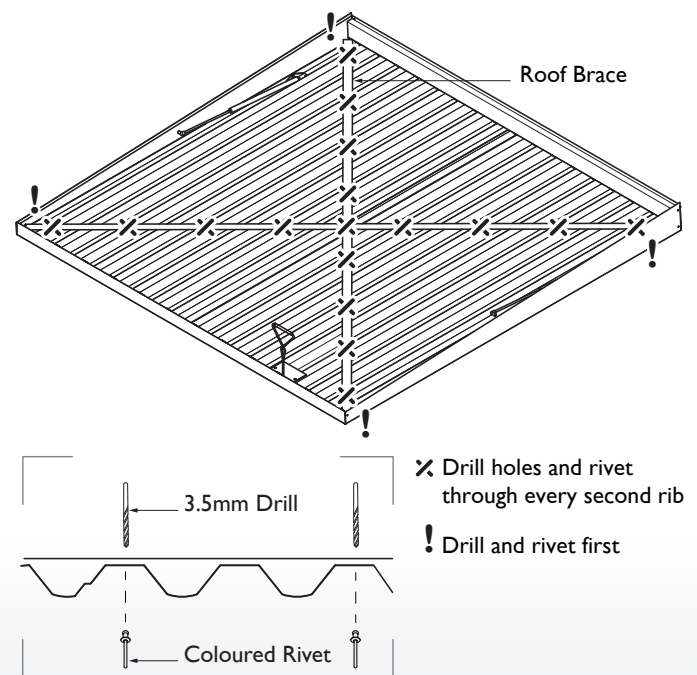
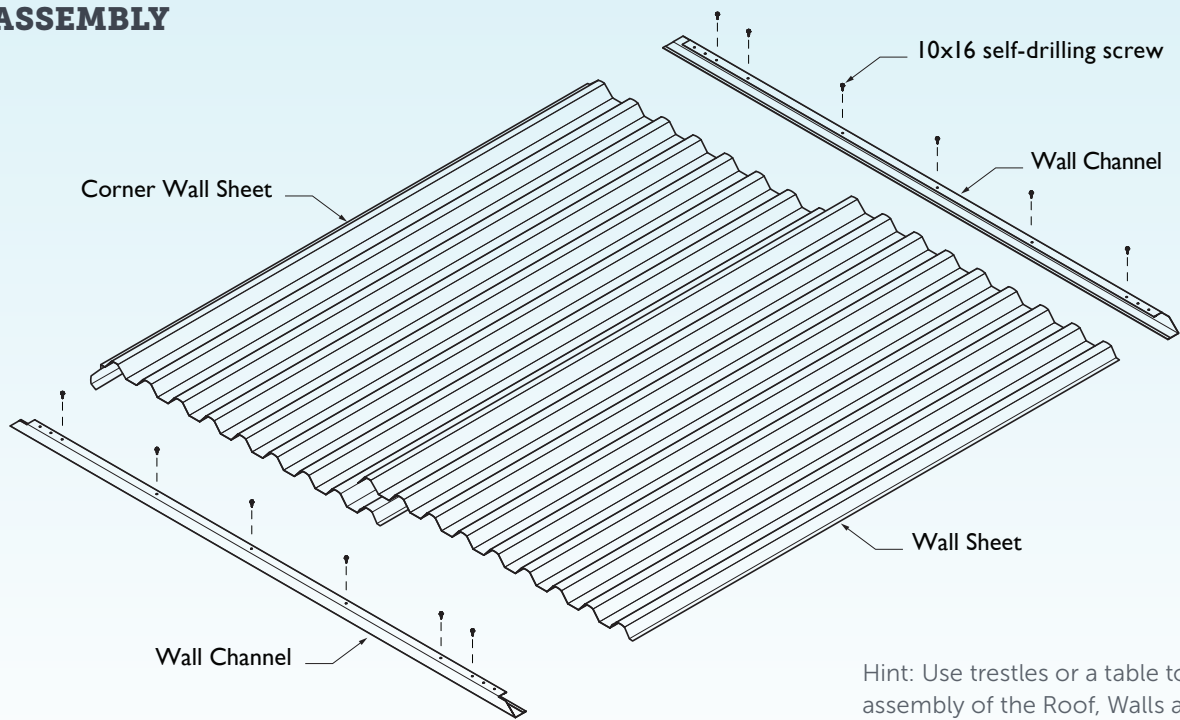


Figure I.6

## WALL ASSEMBLY



Hint: Use trestles or a table to ease with assembly of the Roof, Walls and Door.

Figure 2.0

Slide the Wall Channels onto the Wall Sheets.

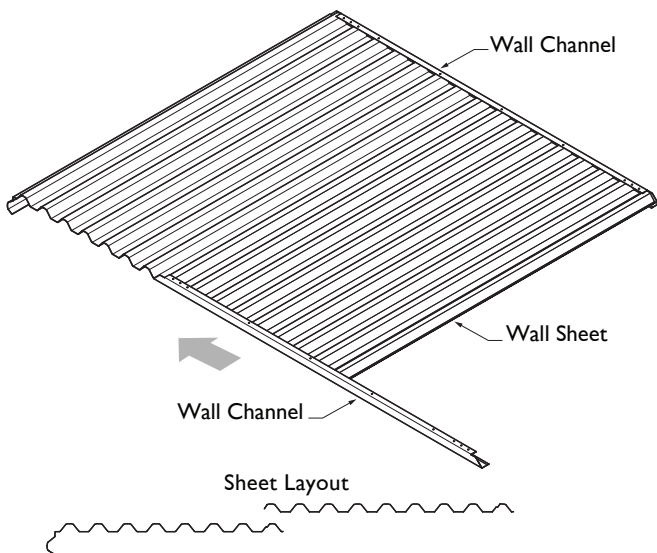


Figure 2.1

Fasten 10x16 self-drilling screws through all holes in the wall channels, except the two end holes of both ends.

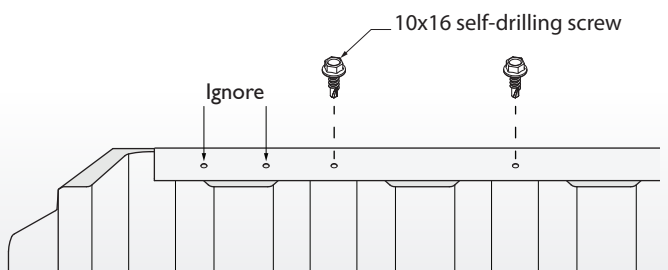


Figure 2.2

Assemble two more Walls in the same manner, so that there are three Wall Assemblies.

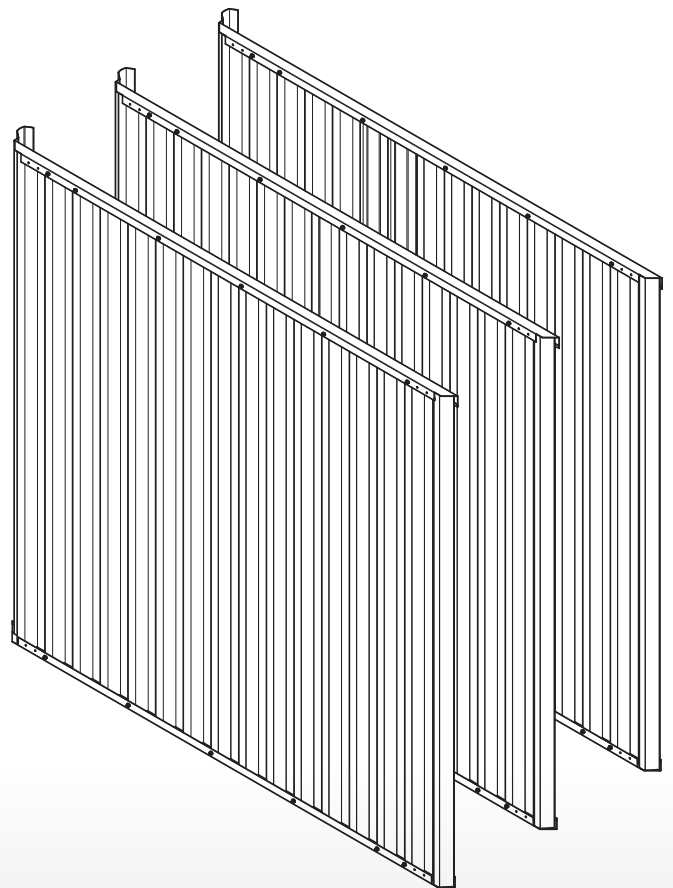


Figure 2.3



**DOOR ASSEMBLY**

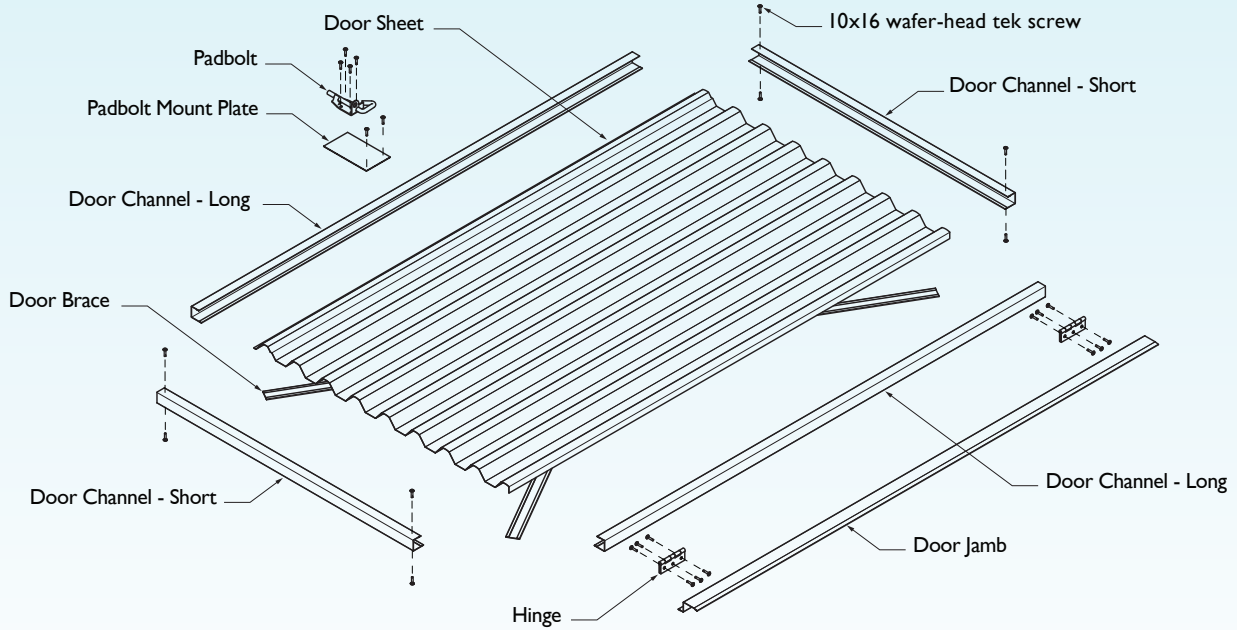


Figure 3.0

Fit the Short and Long Door Channels onto the Door Sheet. Fasten two 10x16 wafer-head tek screws through all four corners.

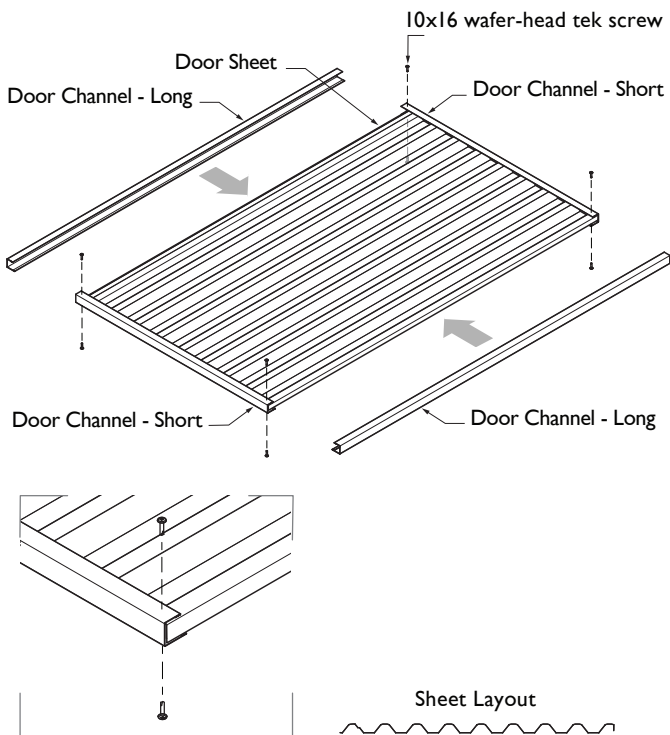


Figure 3.1

Fasten three 10x16 wafer-head tek screws through the Hinge and into the Door Channel at both ends. Ensure the bottom of the Hinge is in line with the bottom face of the Door Channel.

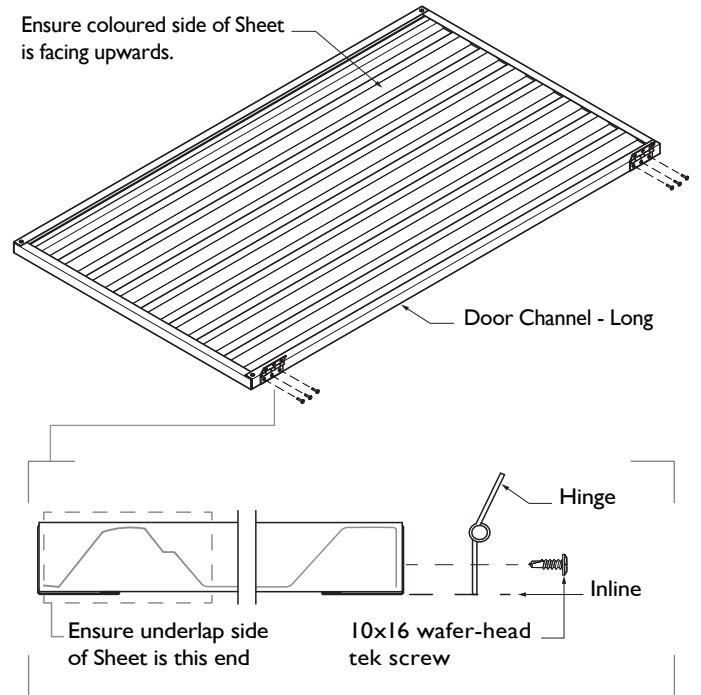


Figure 3.2

Fasten three 10x16 wafer-head tek screws through the Hinge and into the Door Jamb at both ends. Ensure the end of the Door Jamb is spaced approximately 40mm from the bottom of the Door Channel.

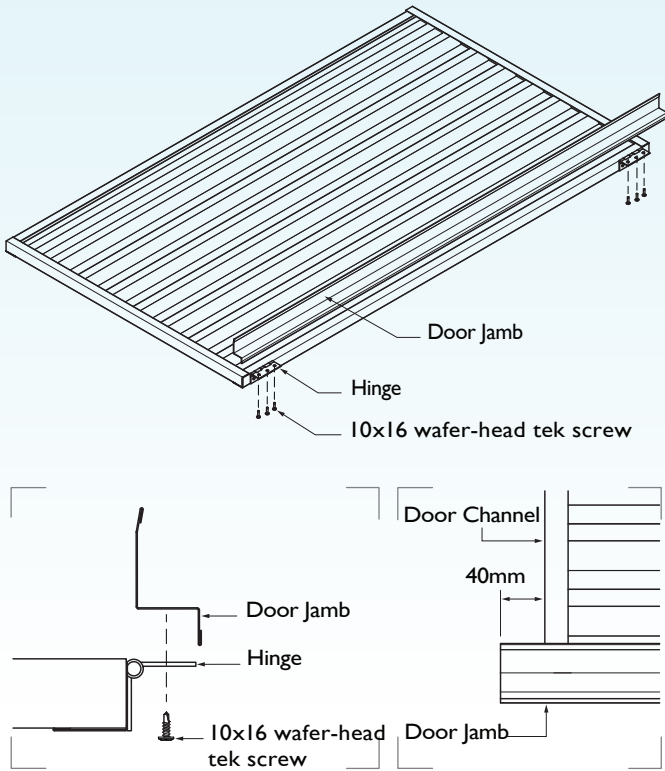


Figure 3.3

Fasten two 10x16 wafer-head tek screws through the Padbolt Mount Plate and into the Door Sheet. Fasten four 10x16 wafer-head tek screws through the Padbolt and into the Padbolt Mount Plate.

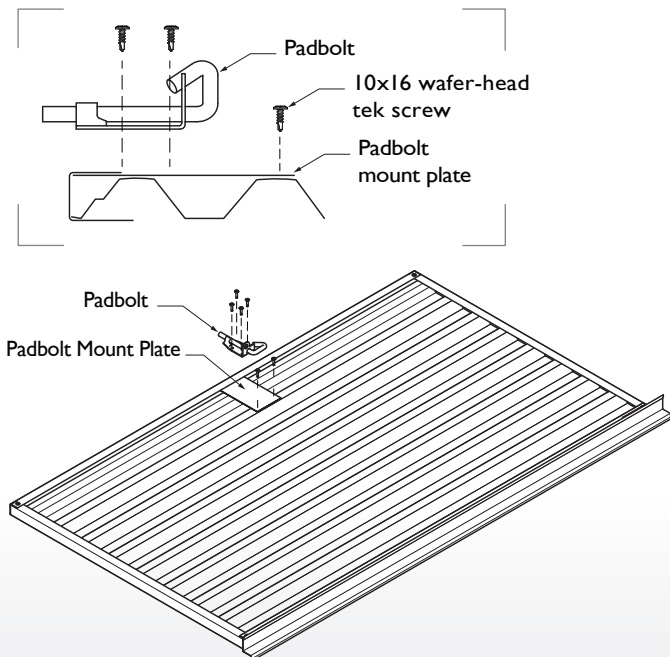


Figure 3.4

Flip over the Door, so that the underside is facing up. Fit the two Door Braces diagonally across the Door. Drill 3.5mm holes through the Door Braces and into every second rib of the Door Sheet, as indicated by the 'X' marks below. Rivet through the Door Sheet into the Door Braces.

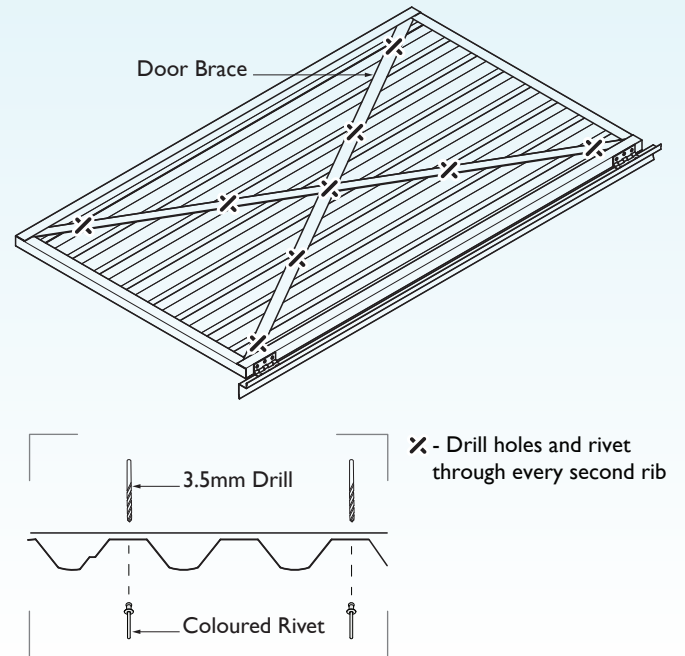


Figure 3.5

## WALL JOINING

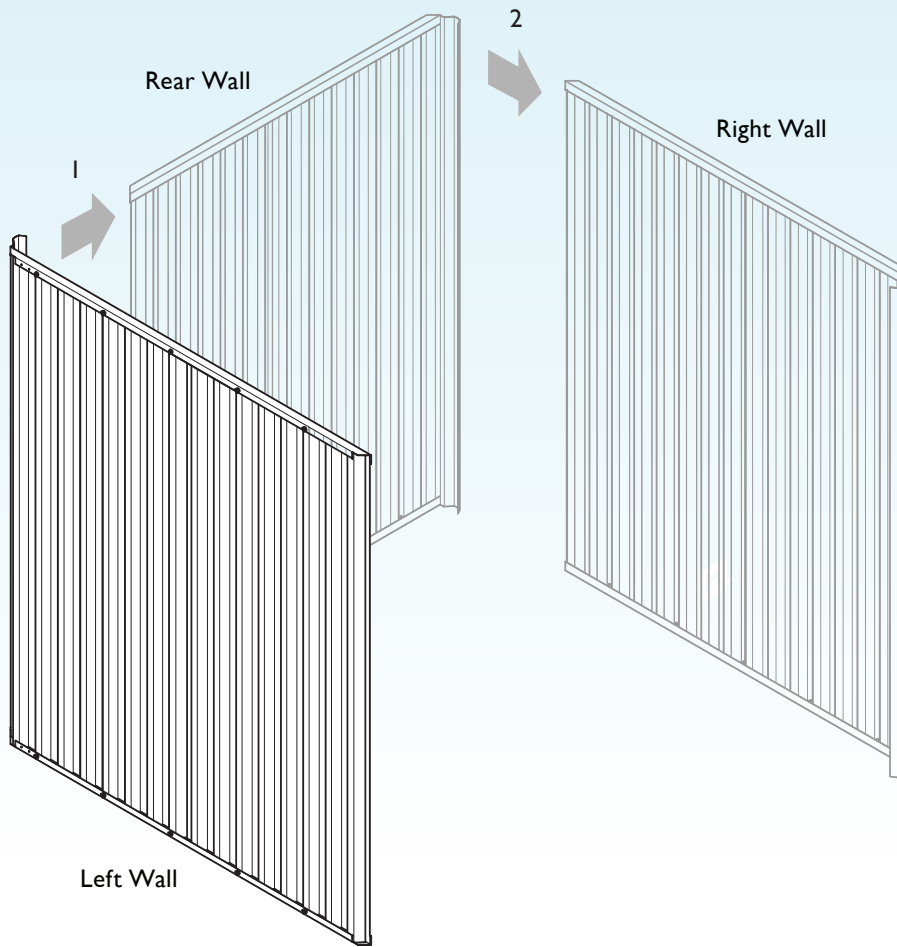


Figure 4.0

Lap the Left wall into the Rear Wall.

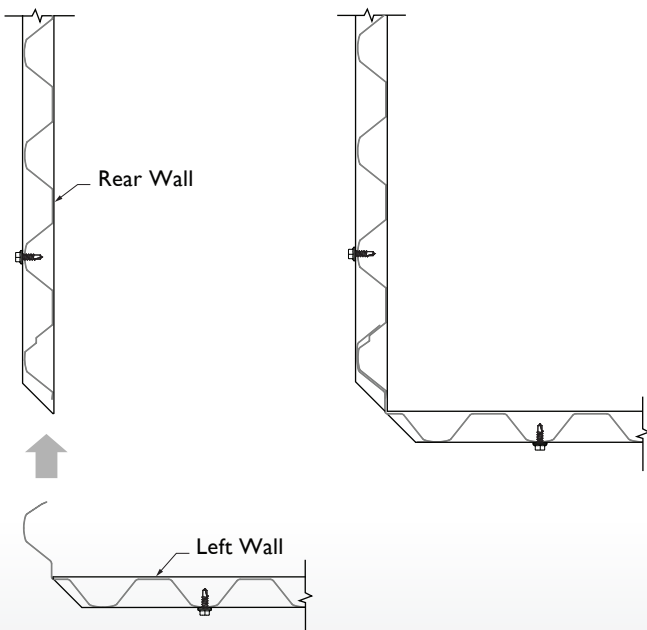


Figure 4.1

Fit the Corner Bracket over the Wall Channels. Ensure the pilot holes of the Corner Bracket and Wall Channels line up.

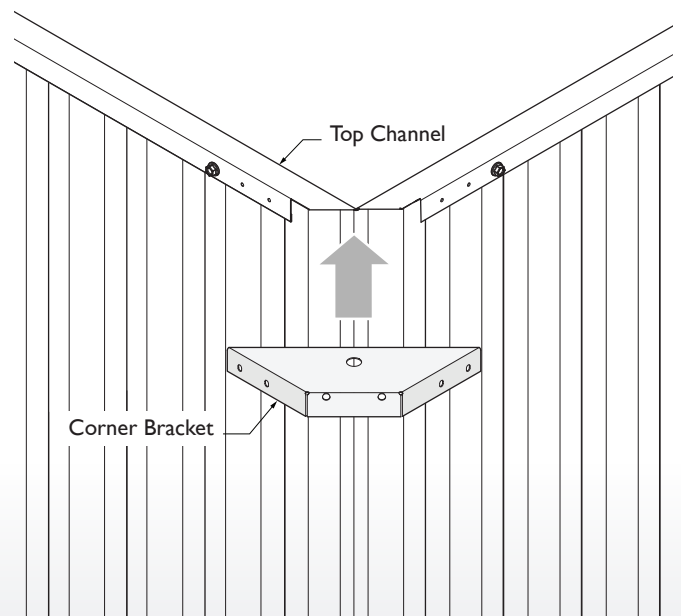


Figure 4.2



# POOL PUMP FILTER STORAGE SHED INSTALLATION GUIDE

Fasten through the Corner Bracket pilot holes and into the Wall Channels using 10x16 self-drilling screws.

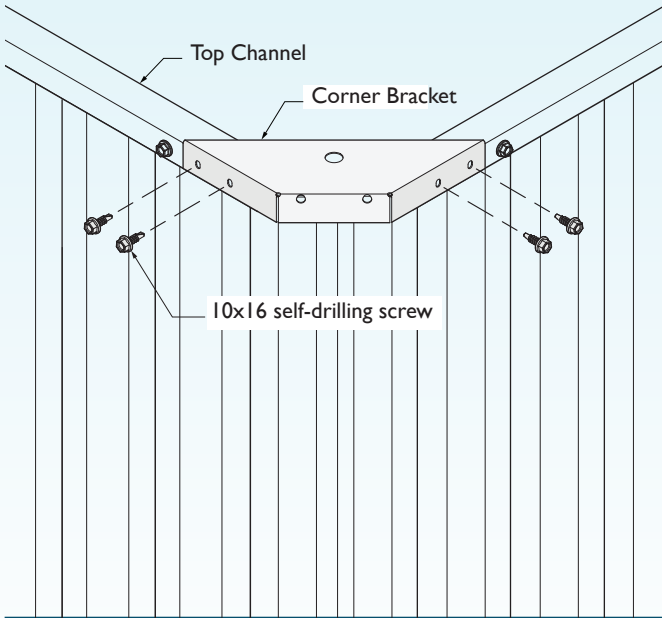


Figure 4.3

Fit the Corner Bracket over the bottom Wall Channels. Fasten through the Corner Bracket pilot holes and into the Door Channel using 10x16 self-drilling screws.

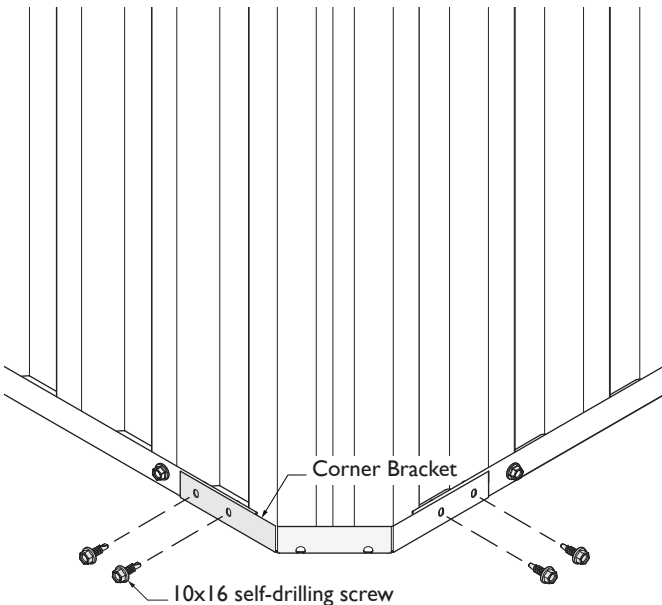


Figure 4.4

Repeat steps in figures 4.1 to 4.4 to join the Rear and Right Wall Assemblies.

Fit the remaining Wall Channel into the Corner Brackets at the front of the shed. Fasten through the Corner Bracket pilot holes and into the Wall Channel using 10x16 self-drilling screws.

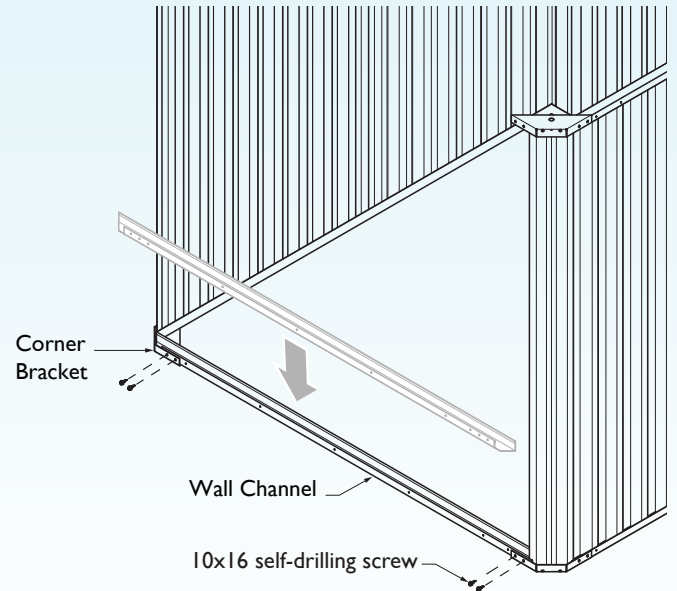


Figure 4.5

Fit the Left and Right Front Wall Sheets into the Corner Brackets.

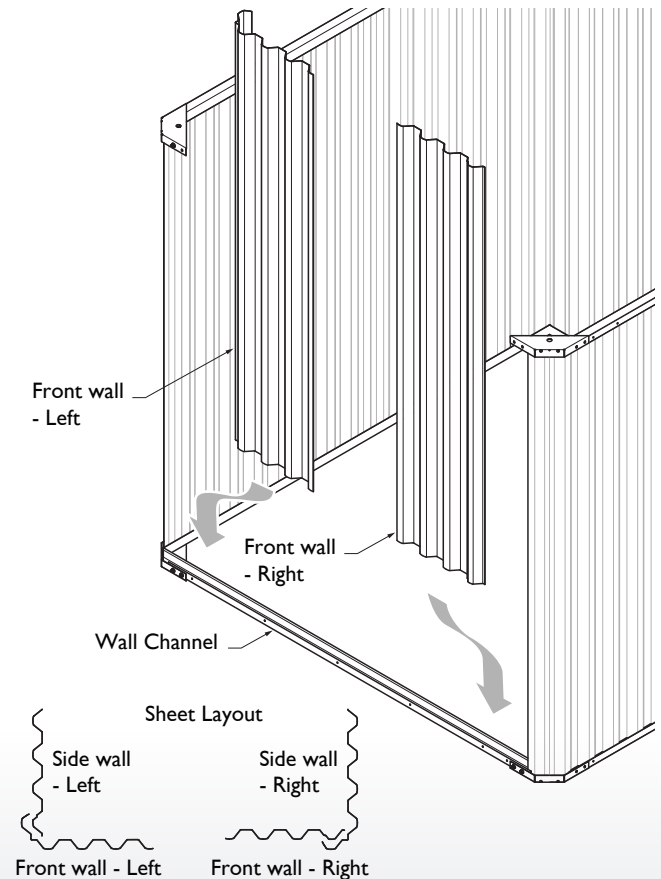


Figure 4.6

Fit the Front Wall Channels over the Front Wall Sheets and into the Corner Brackets. Line up the pilot holes and fasten two 10x16 self-drilling screws through the Corner Brackets and into the Front Wall Channels.

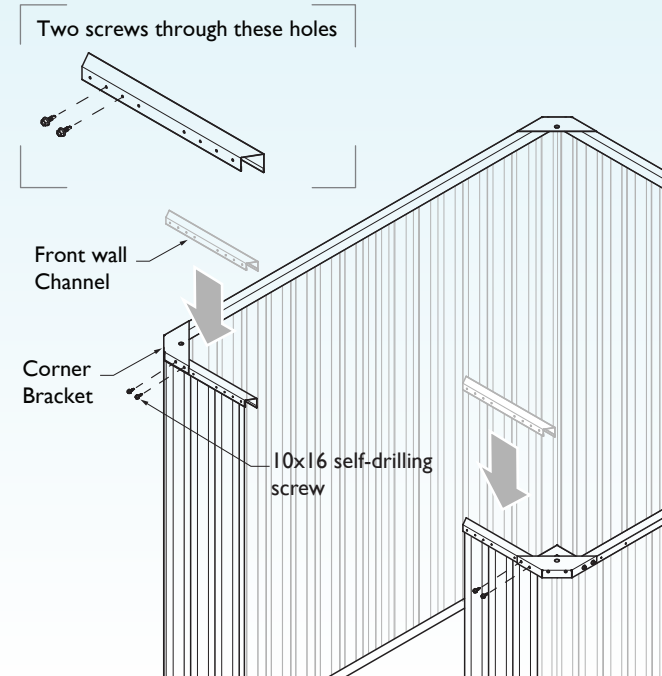


Figure 4.7

Confirm the Corners are Square before fastening the screws. Fasten four 10x16 wafer-head tek screws through the top of the Corner Brackets of the Front Wall. Fasten two 10x16 wafer-head tek screws through the top of the Corner Brackets of the Rear Wall.

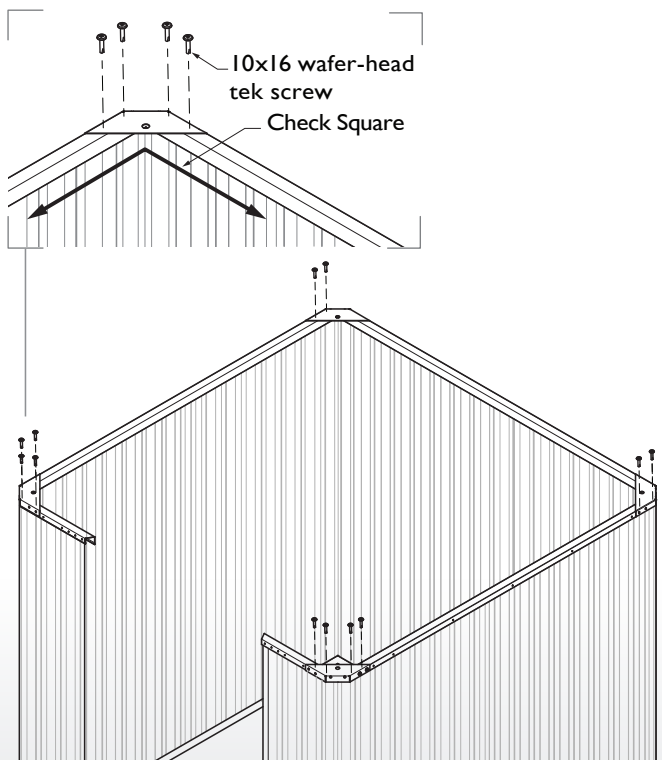


Figure 4.8

Confirm the Corners are Square before fastening the screws. Fasten a Hinge to the top face of both rear Corner Brackets. Fasten the Hinge to the Corner Bracket using three 10x16 wafer-head tek screws in both ends.

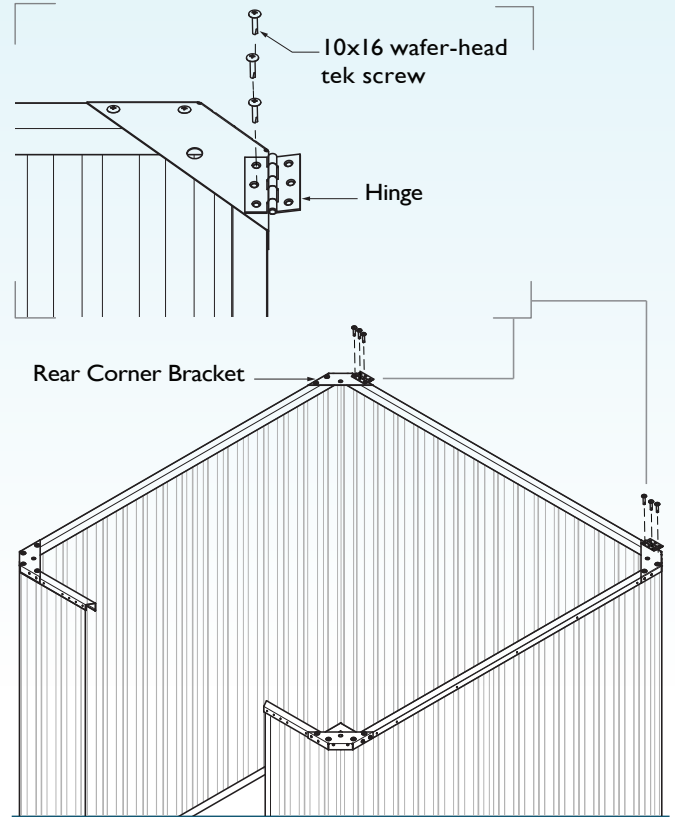


Figure 4.9

Fasten four 10x16 wafer-head tek screws through the Strut Bracket and into the top of the Wall Channel. Ensure a spacing of 830mm from the Strut Bracket end to the front Corner Bracket. Complete for both sides.

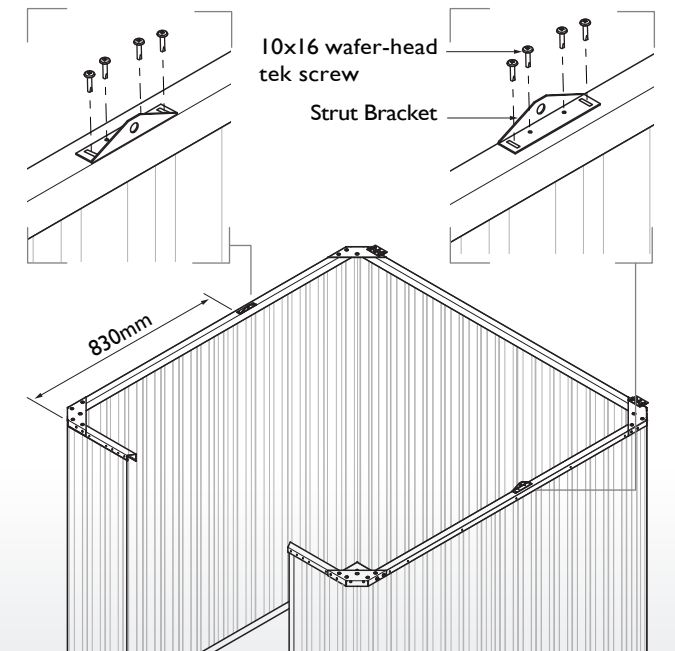


Figure 4.10

# POOL PUMP FILTER STORAGE SHED INSTALLATION GUIDE

Fit the individual Door Jamb into the Wall Channels on the left side. Fit the door Jamb attached to the Door Assembly into the Wall Channels on the right side.

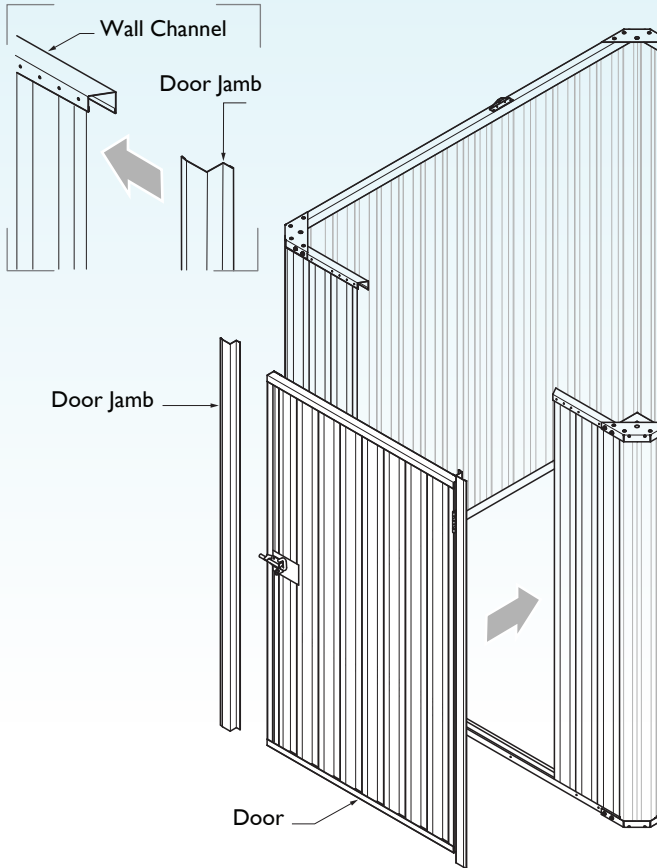


Figure 4.11

Fasten two 10x16 self-drilling screws through the Wall Channels and into the Wall Sheets in all four corners. Line up the Door Latch and Door Latch Spacers against the Padbolt. Fasten in place with two 10x22 wafer-head tek screws.

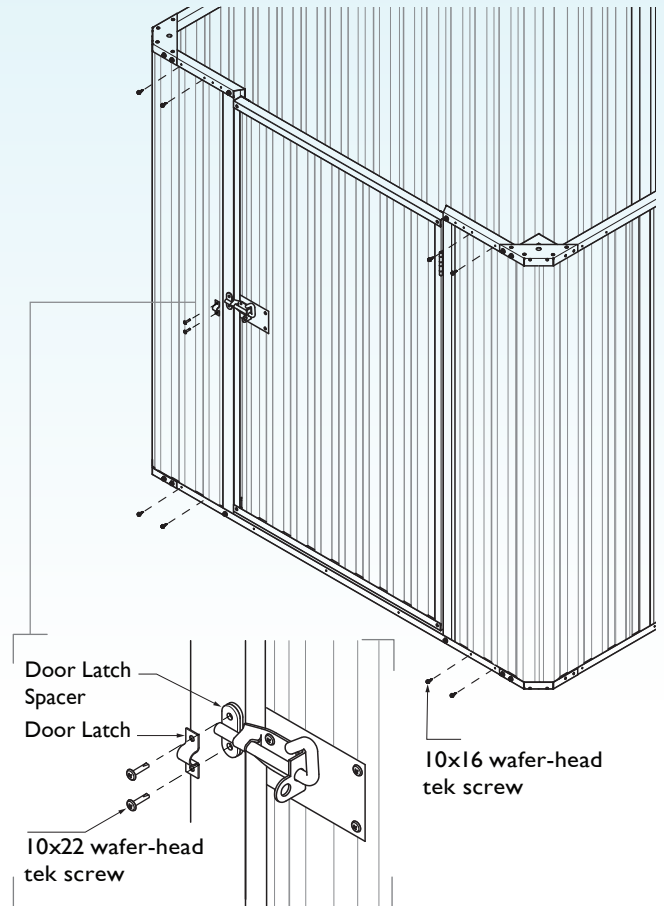


Figure 4.13

Line up the Door Jambs, ensuring even spacing between the Door Assembly and left Door Jamb.

Fasten one 10x16 self-drilling screw through the Door Jamb and into the Wall Channels at the top and bottom of both Door Jambs.

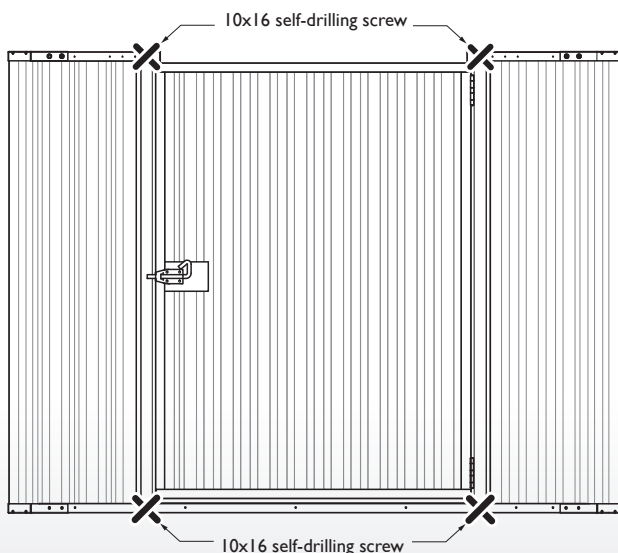


Figure 4.12

Lay the Roof Assembly on top of the Wall Assemblies.

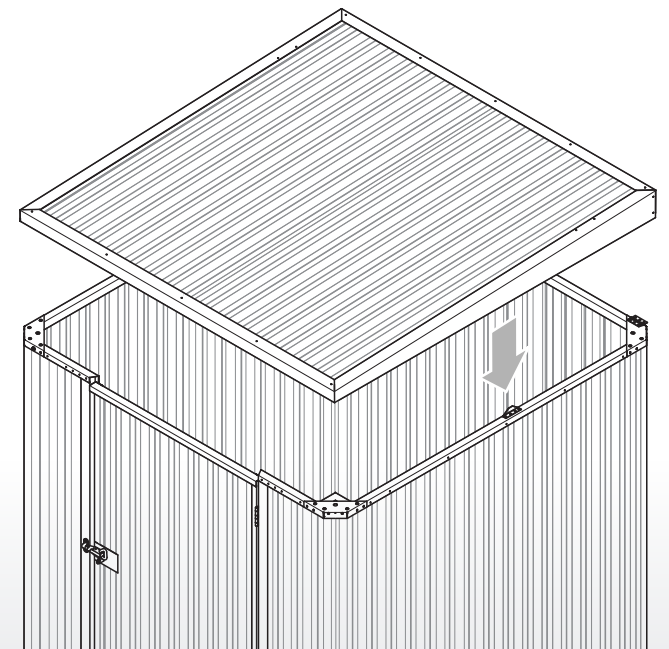


Figure 4.14

Fasten three 10x16 wafer-head tek screws through the Hinge and into the Rear Flashing at both ends.

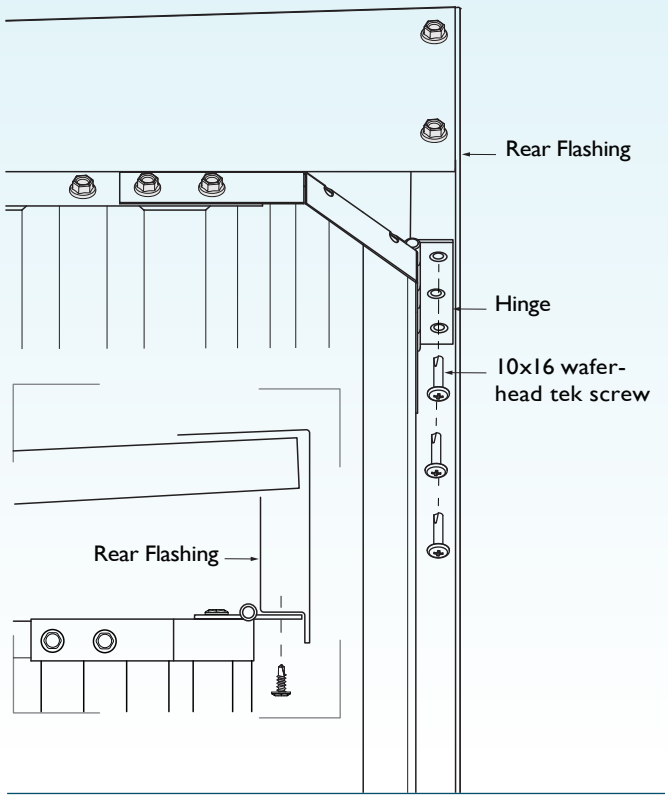


Figure 4.15

Fit the Door Shroud into the Bottom Wall Channel. Fasten in Place with four 10x16 self-drilling screws.

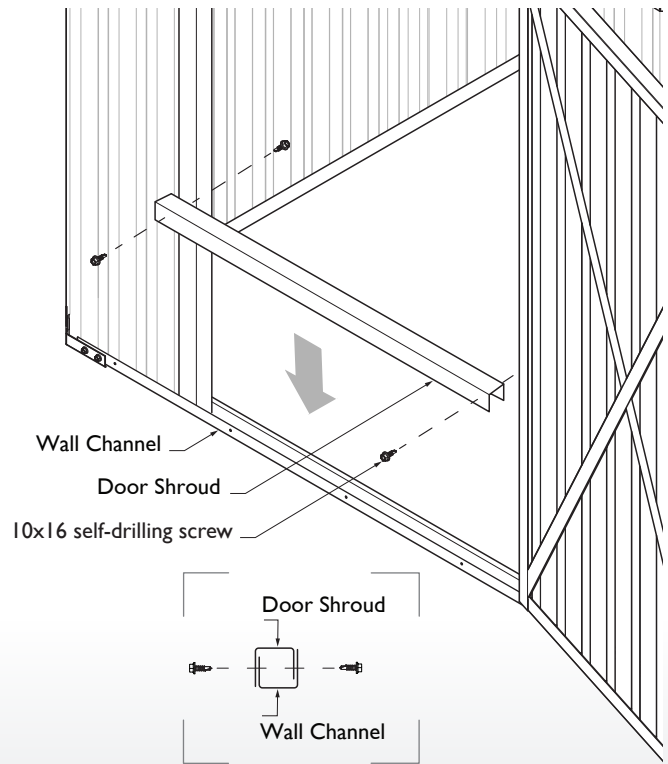


Figure 4.16

Fit the Gas Strut into the Strut Bracket. Fasten in place with the supplied nut.

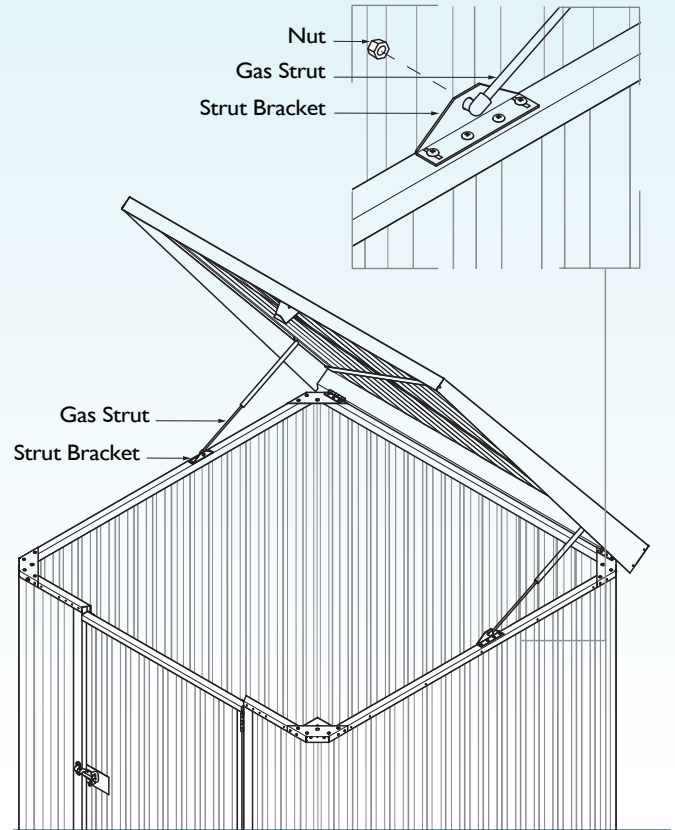


Figure 4.17

Close the Roof. From inside the shed, fit the Pull Cord over the Pull Cord Latch.

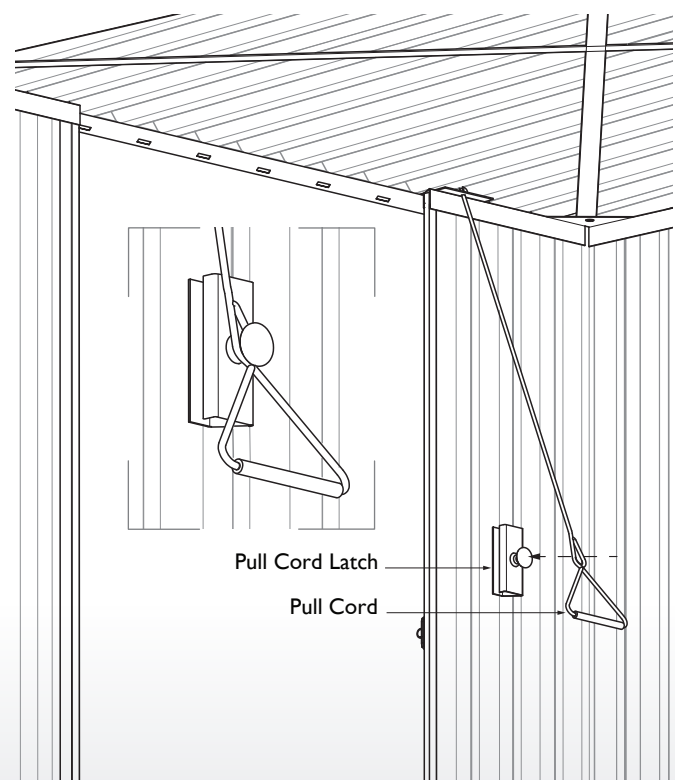


Figure 4.18

Fit the Pull Cord Latch up against the Wall Sheet and Door Jamb. Pull the Pull Cord Latch tight (downwards) and mark the Pull Cord Latch position on the Door Jamb.

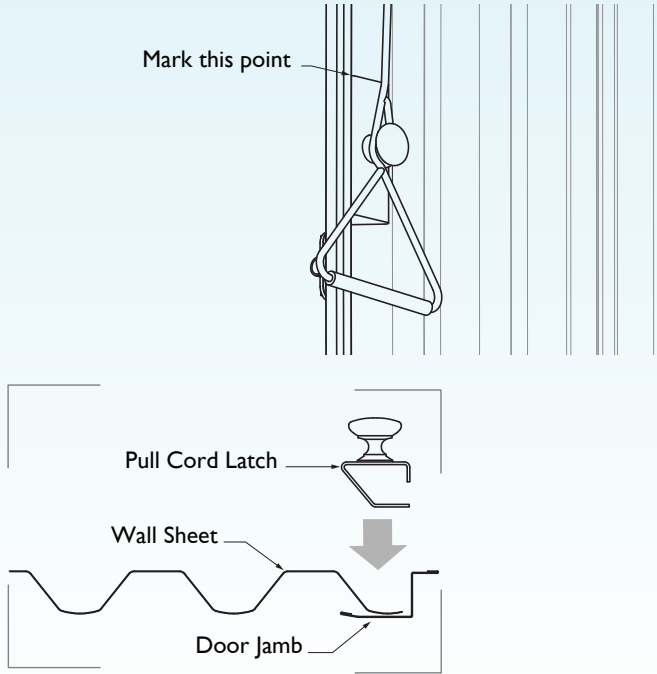


Figure 4.19

From the outside of the shed, align the Pull Cord Latch with the mark from the previous step. Fasten two 10x16 wafer-head tek screws through the Door Jamb and into the Pull Cord Latch.

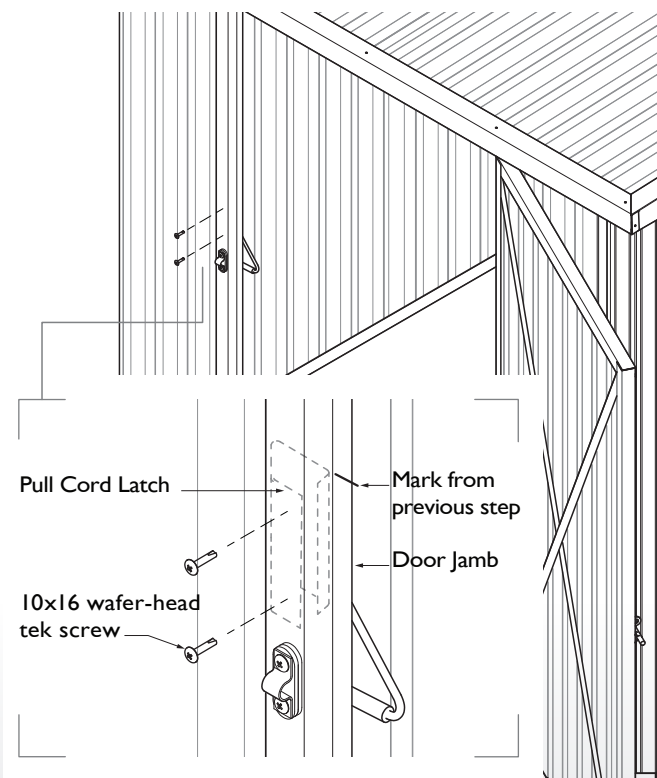


Figure 4.20

You may have piping that extends out from the Pool Pump Filter Shed. If so, follow the steps in figures 4.21 to 4.22.

Measure and mark the location of the piping on the Wall Sheet. Use Tin Snips to cut out the required hole. Remove the Bottom Wall Channel and lower the Shed in position over the piping.

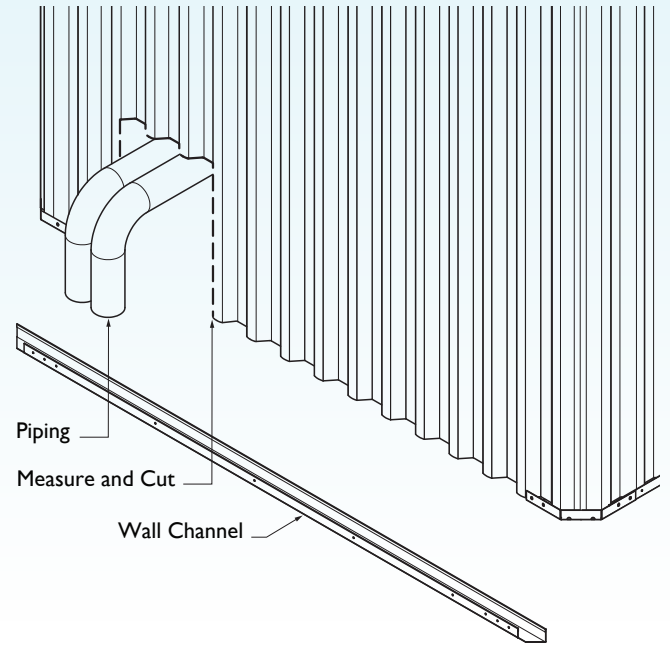


Figure 4.21

Rivet the Supplied Hole Cover Sheets to the Wall Sheets to cover up the remaining gaps for a neat finish. Reinstall the Wall Channel

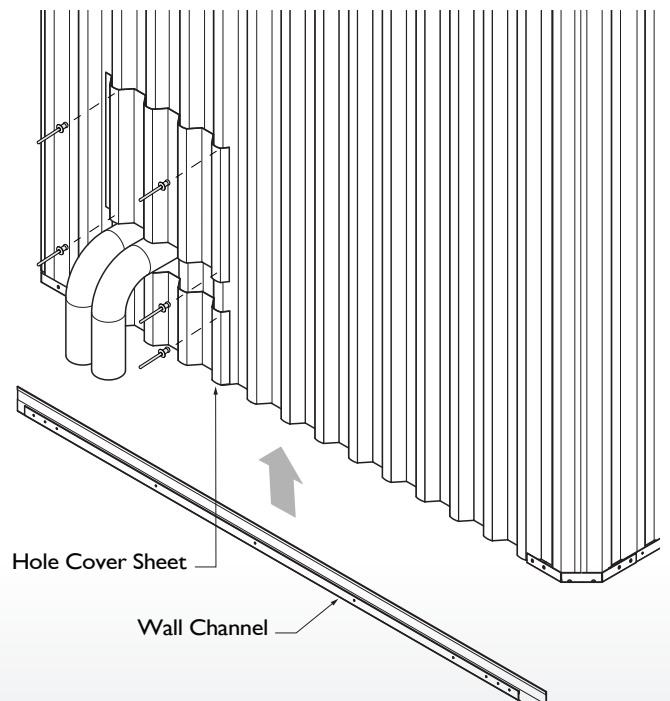


Figure 4.22

Check the walls are square. Check the diagonal measurements from corner to corner, as per figure 4.23 below. The diagonal measurements should be equal for the walls to be square.

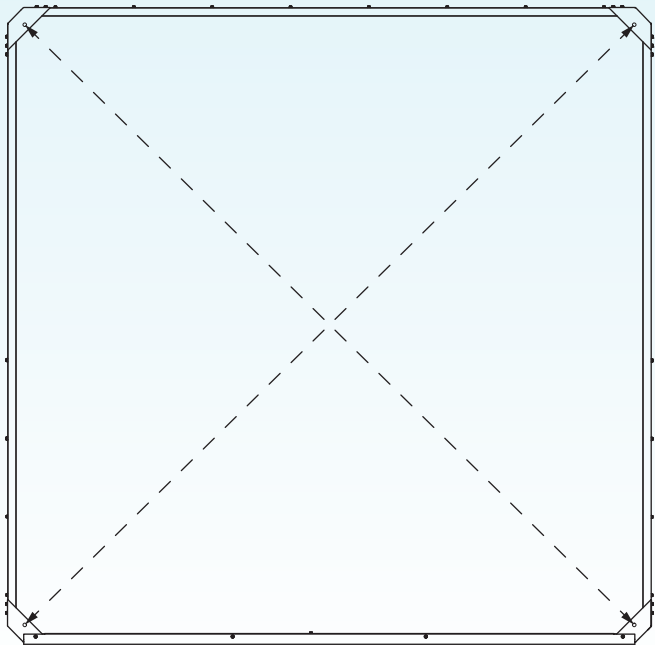


Figure 4.23

Using the Corner Bracket pilot holes as a guide, drill holes in all four corners with a 10mm masonry drill bit. Secure all four bottom Corner Brackets to the concrete base with M8x47 Masonry Anchors.

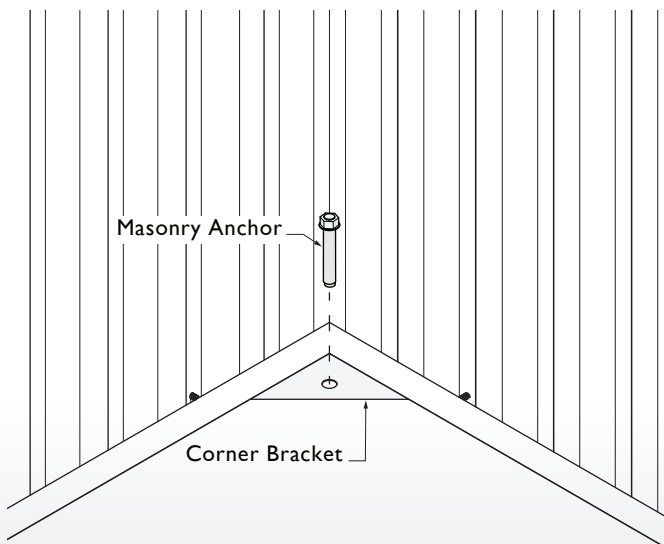


Figure 4.24

For added Strength, it is recommended to use a Hold Down Lug on each Wall as per the below spacing.

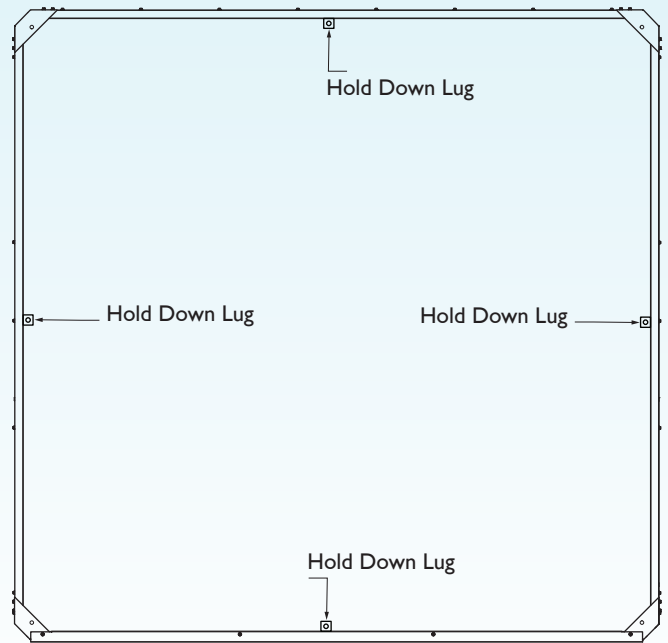


Figure 4.25

Fit the Hold Down Lug over the bottom Wall Channel and fasten in place with a 10x16 Self-drilling screw. Drill a hole with a 10mm masonry drill bit. Secure the Hold Down Lug to the concrete base with an M8x47 Masonry Anchor.

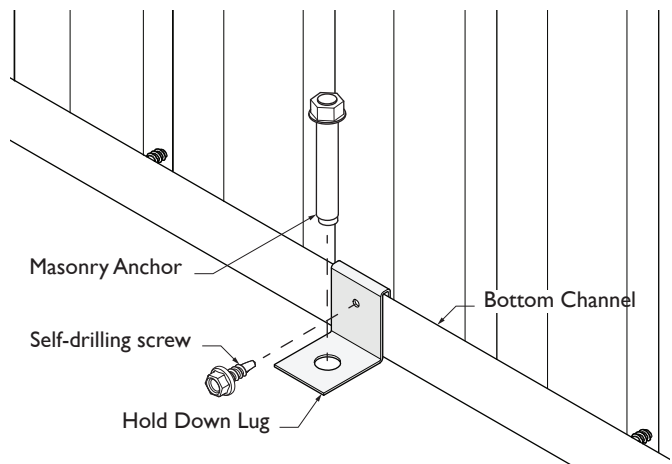


Figure 4.26

Your Stratco Pool Pump Filter Shed will maintain its good looks for longer with a simple wash and wipe down. Cleaning should be performed as often as is required to remove any dirt, salt and pollutants.

