

How To.

INSTALLATION GUIDE

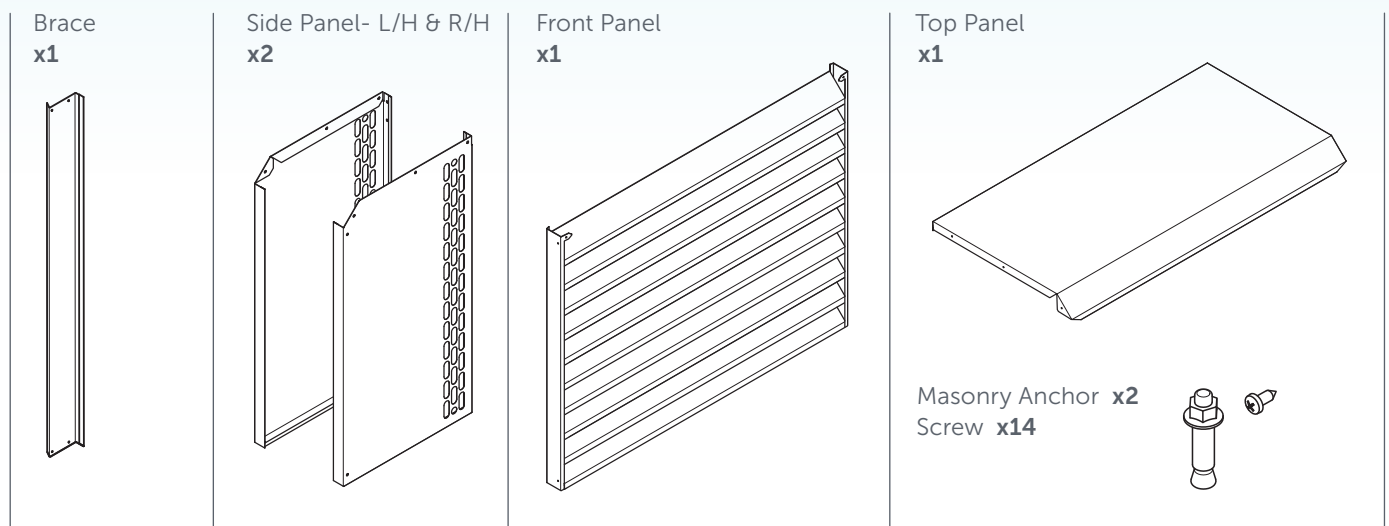
BEFORE YOU START

To ensure the assembly of your Stratco Air Conditioner Cover proceeds smoothly, you should confirm that all components listed in this installation guide have been supplied.

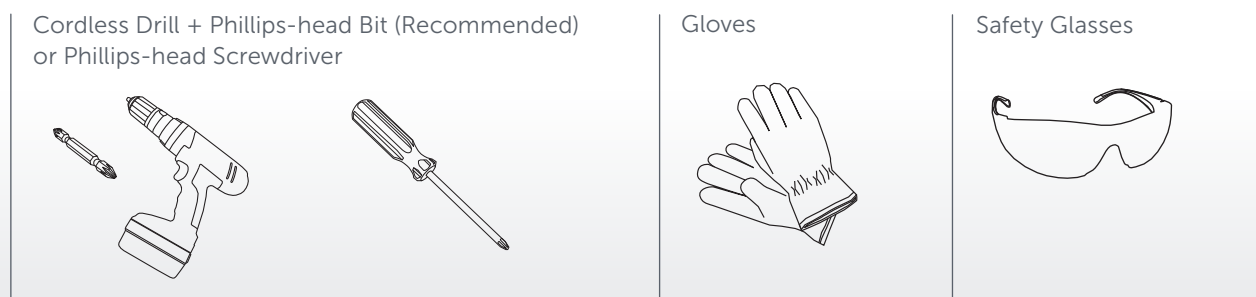
Carefully read this installation guide to familiarise yourself with all the steps involved, and ensure that you have the correct tools and equipment for the job.

Wear safety glasses and heavy gloves when handling steel sheets and parts.

COMPONENTS



TOOLS & SAFETY GEAR

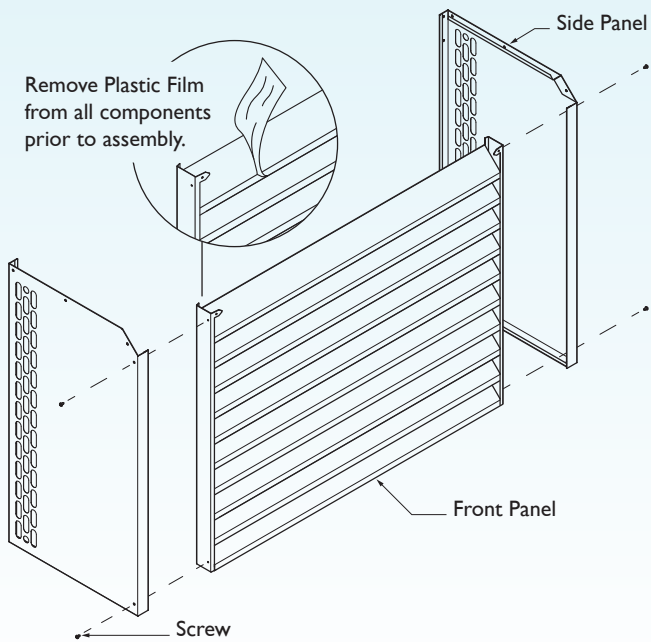


STRATCO AIR CONDITIONER COVER

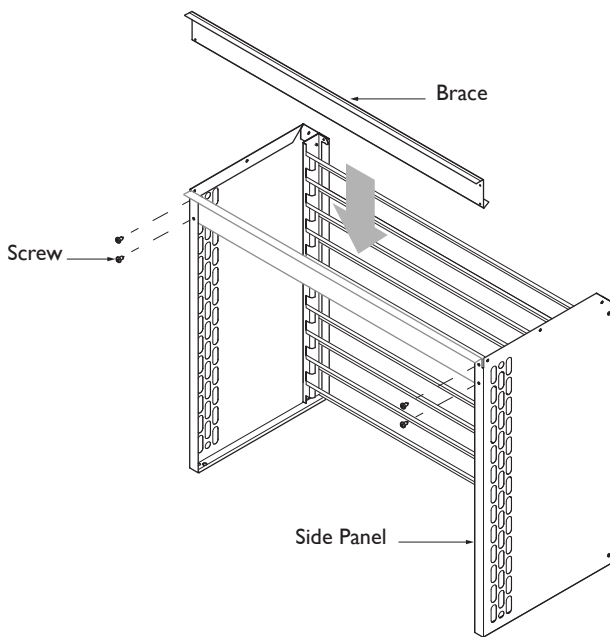
STRATCO AIR CONDITIONER COVER INSTALLATION GUIDE

ASSEMBLY

Remove protective plastic coating from all components prior to assembly. Fasten two screws through both L/H & R/H Side Panels into the Front Panel.

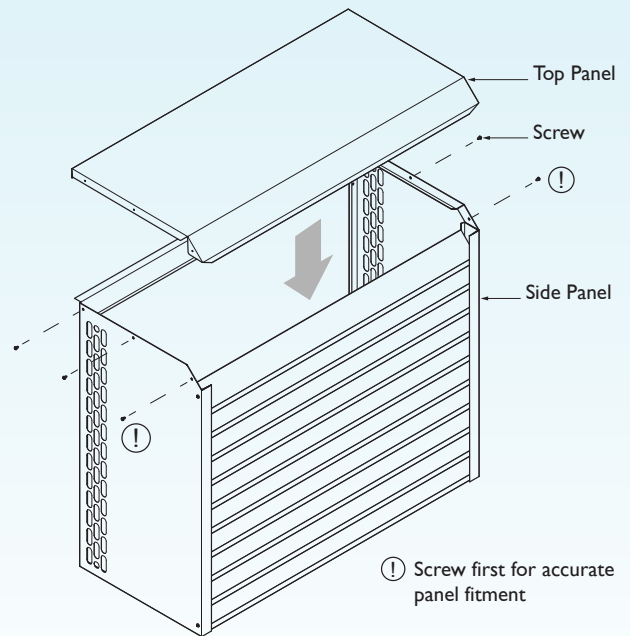


Fasten two screws through both L/H & R/H Side Panels into the Brace.

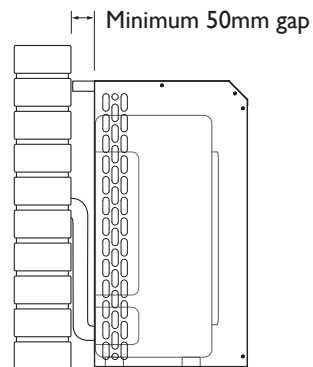


For an accurate fitment, fasten the front-most screws through the Side Panels and into the Top Panel first.

Then fasten the remaining four screws through the side panels and into the Top Panel.



There must be a minimum 50mm gap between the Side Panels and wall. Failing to leave an adequate gap will restrict airflow to the air conditioner unit.



Ensure air-flow gap of at least 50mm between the Side Panels and vented faces of the air conditioner unit.

Optional - The assembly can be secured to the floor using the supplied Masonry Anchors. Mark out and drill 10mm holes into the floor. Fix the assembly to the floor.

