



INSTALLATION GUIDE




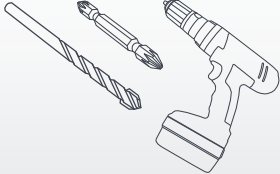
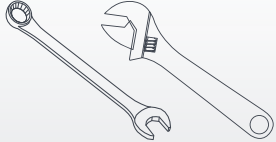
BEFORE YOU START

Carefully read these instructions and refer to them constantly during each stage of construction. If you do not have all the necessary tools or information contact Stratco for advice. Before starting, lay out components and check them against the 'Components' section.

The Stratco Over-Car Bonnet Storage Locker has a maximum safe load rating of 400kg. It is highly recommended that the Storage Locker be secured to a concrete slab using provided M10 Masonry Anchors at all four footings, mitigating the chance of damage in the event of a collision with car or due to loads inside the Storage Locker falling over. The 400kg load rating is valid in both situations where the Storage Locker is and is not bolted to a concrete slab.

A minimum of two people are required to safely assemble the Storage Locker. Ensure safe lifting practices are followed at all times during installation. The heaviest lift during installation is 37kg. Use heavy gloves when handling steel components and never attempt to install in windy conditions.

TOOLS AND SAFETY EQUIPMENT

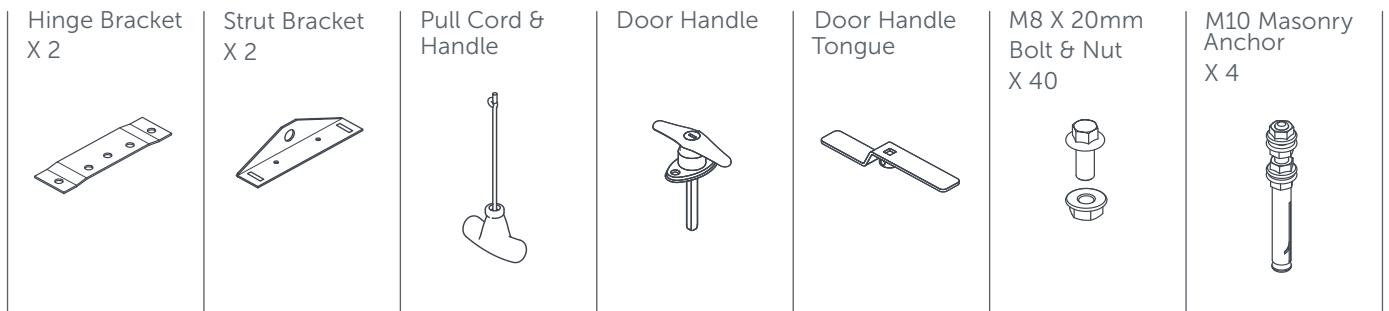
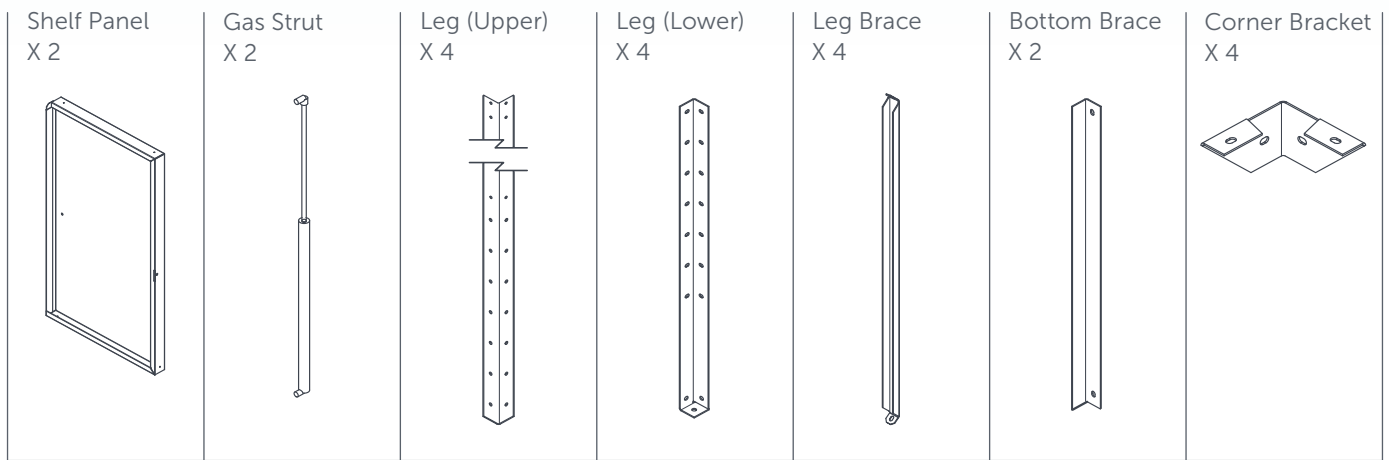
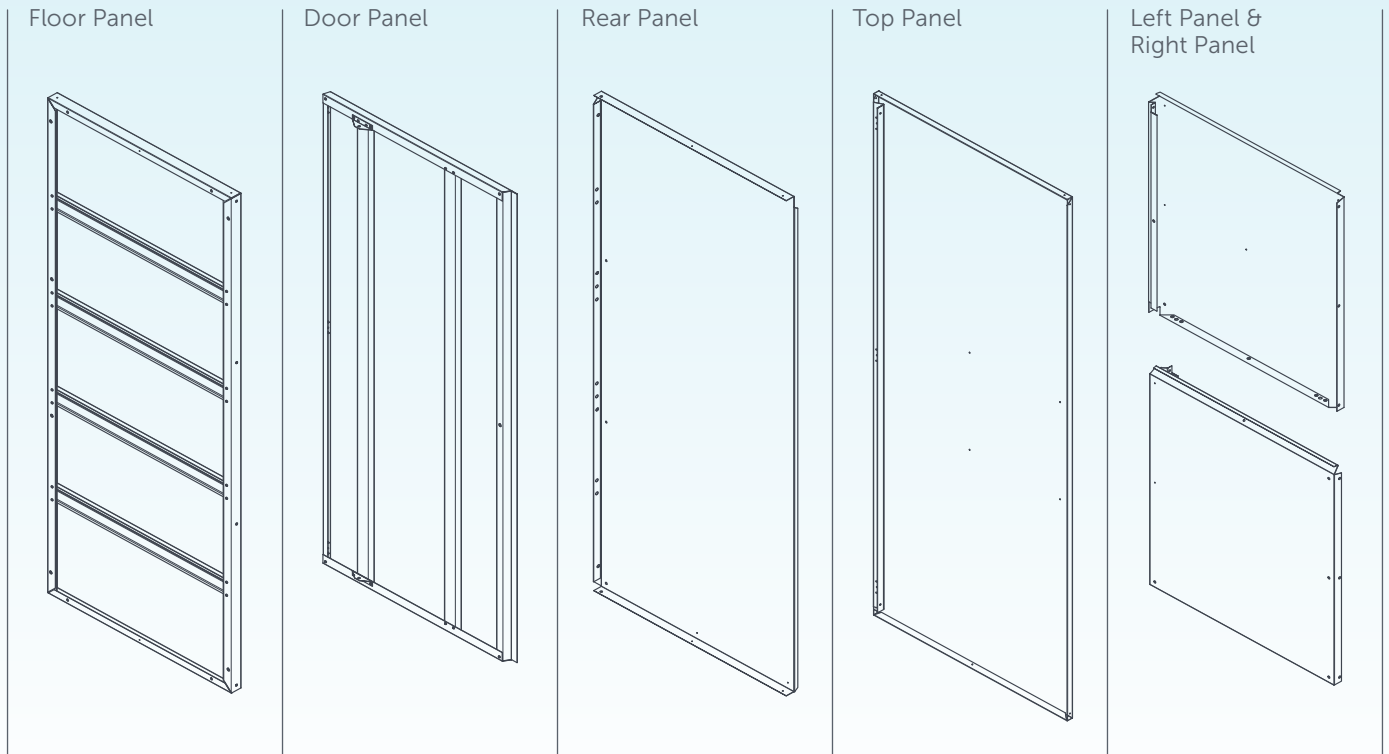
<p>Safety Gloves</p> 	<p>Safety Glasses</p> 	<p>Ladder</p> 	<p>Cordless Drill, 12mm Masonry Bit & PH2 Phillips-head Bit</p> 	<p>12mm & 14mm Spanners or Adjustable Wrench</p> 
--	---	---	--	--

STRATCO OVER-CAR BONNET STORAGE LOCKER

INSTALLATION GUIDE

STRATCO OVER-CAR BONNET STORAGE LOCKER INSTALLATION GUIDE

COMPONENTS



LEG ASSEMBLY

The Storage Locker can be adjusted in accordance with the height of your car bonnet, or highest point of the car that will be underneath the Storage Locker. Measure the distance from the ground to the highest point of your car bonnet. Add 100mm to this measurement as a 'safety gap'.

Eg, 1100mm (car bonnet height) + 100mm = 1200mm.

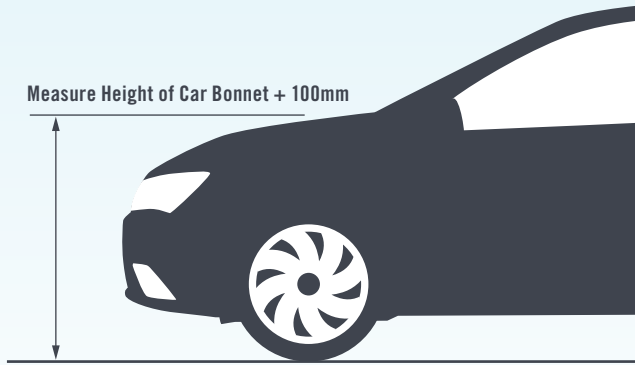


FIGURE 1.0

Confirm the correct hole in the Leg to be used, as determined by the measurement from the previous step. Fasten two M8 Bolt and Nuts through the bottom holes of the Leg (Upper) and into the holes of the Leg (Lower) (Figure 1.1).

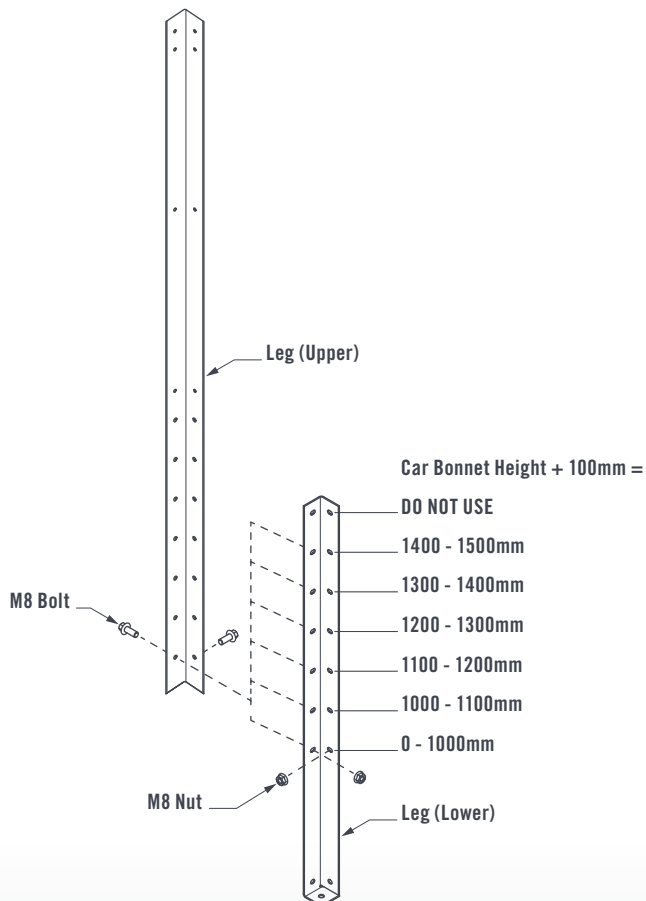


FIGURE 1.1

Slide the Corner Bracket down the Leg (Upper). Fasten two M8 Bolt and Nuts through the holes of the Corner Bracket and into the holes of the Leg (Upper).

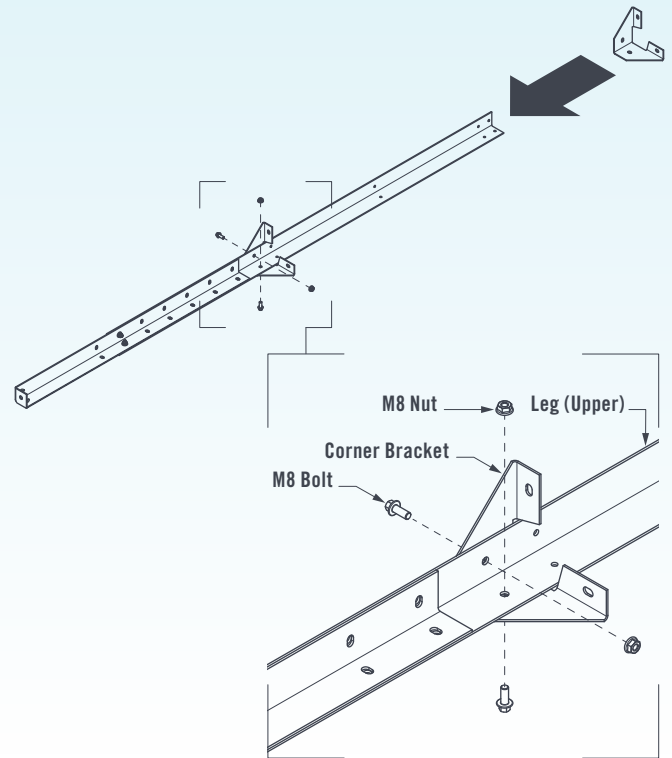


FIGURE 1.2

If assembling the Legs in the shortest/ lowest setting, skip the following step.

Fasten two M8 Bolt and Nuts through the upper holes of the Leg (Lower) into the holes of the Leg (Upper). There must be four fasteners connecting Leg (Lower) to the Leg (Upper).

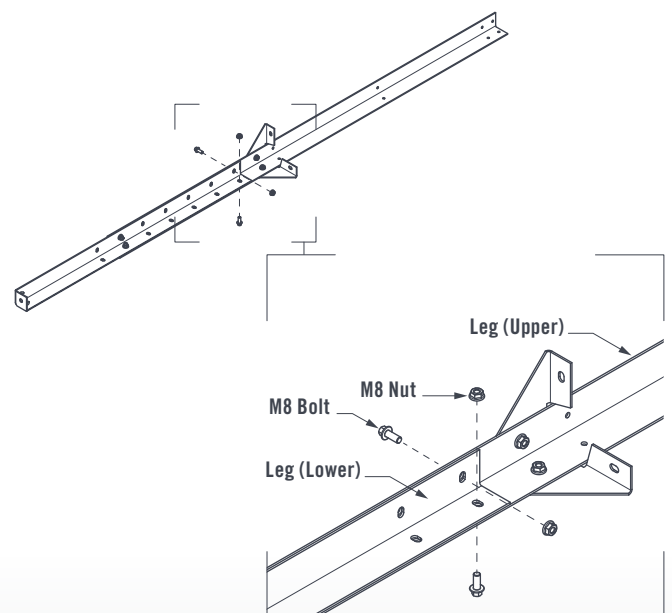


FIGURE 1.3

STRATCO OVER-CAR BONNET STORAGE LOCKER INSTALLATION GUIDE

Confirm the distance from the bottom of the Leg Assembly to the Corner Bracket is more than the height of your car bonnet + 100mm.

Repeat Leg Assembly steps from Figure 1.1 to Figure 1.3 for the 3 remaining legs.

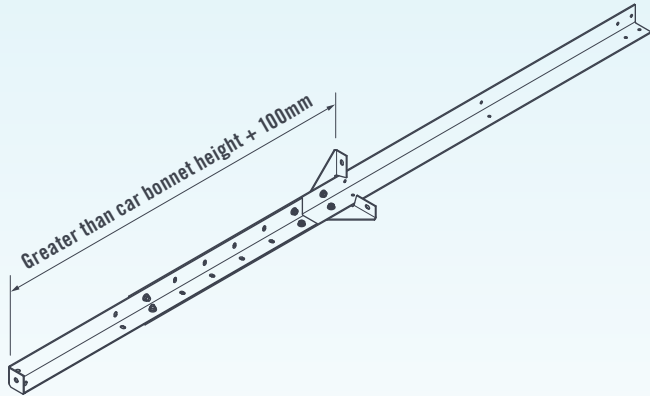


FIGURE 1.4

PANEL ASSEMBLY

Lay the Top Panel upside-down on the floor (flat face of the panel on the floor). Fasten a Hinge Bracket to the Top Panel using two Phillips Screws at both ends.

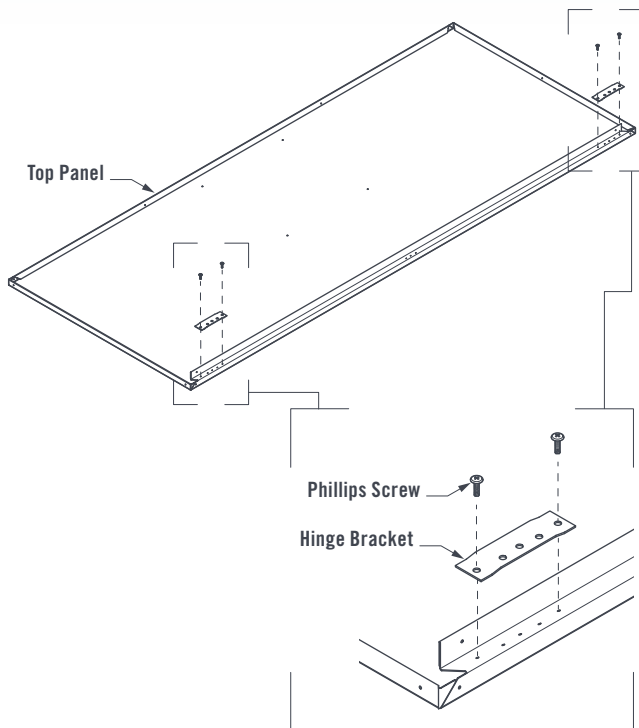


FIGURE 2.0

Position the Left Panel onto the Top Panel.

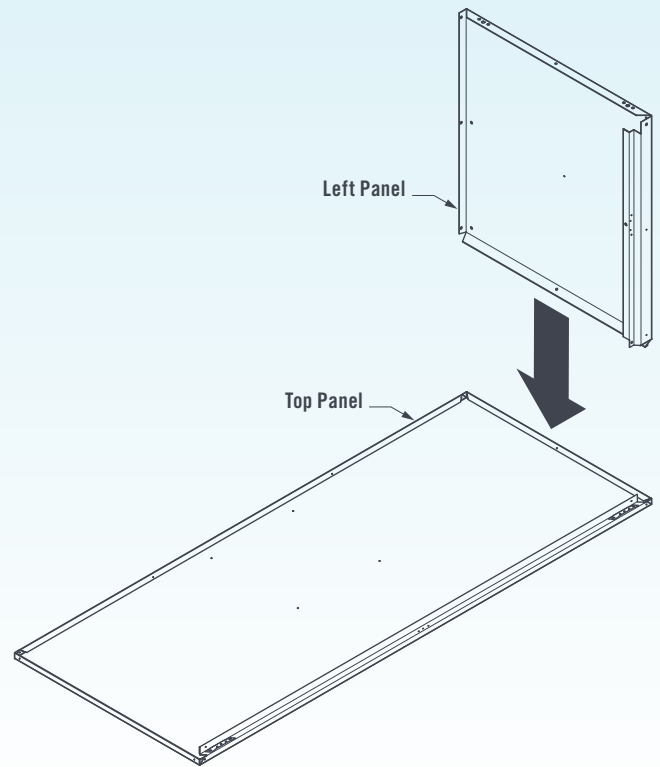


FIGURE 2.1

Fasten the Left Panel to the Top Panel using two Phillips Screws.

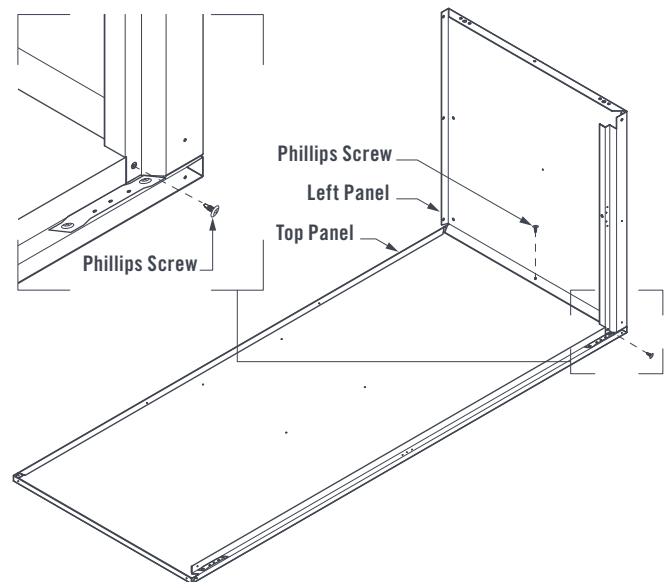


FIGURE 2.2

Fit one of the Leg Assemblies onto the front corner of the Left panel. Loosely fasten an M8 Bolt and Nut through the Corner Bracket and into the Left Panel.

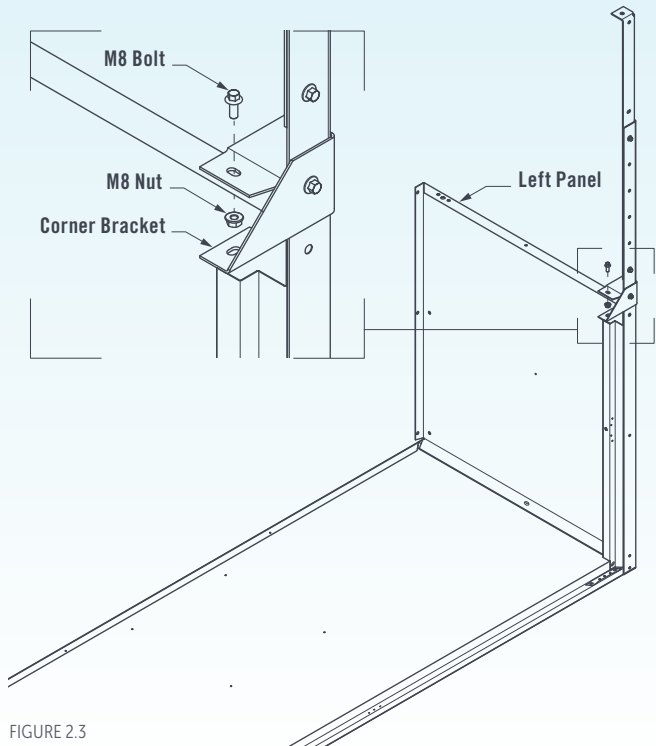


FIGURE 2.3

Fit one of the Leg Assemblies onto the rear corner of the Left panel. Loosely fasten an M8 Bolt and Nut through the Corner Bracket and into the Left Panel.

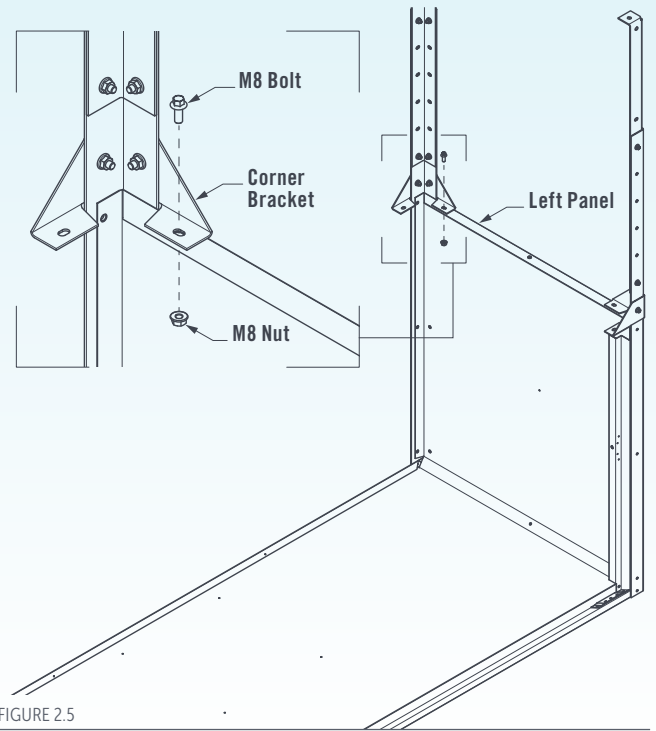


FIGURE 2.5

Fasten the Leg Assembly to the Left and Top Panel using six Phillips Screws.

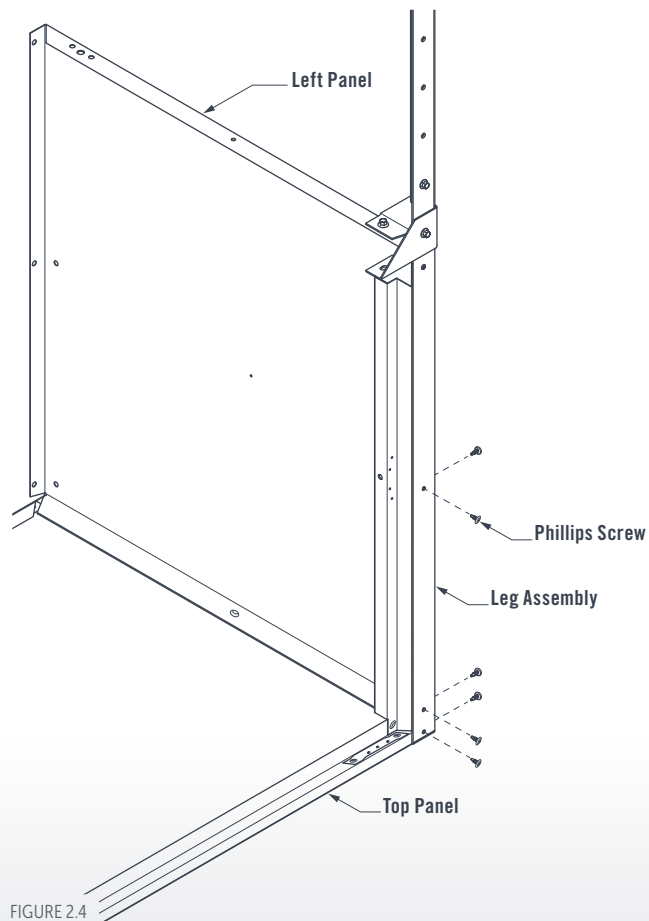


FIGURE 2.4

Fasten the Leg Assembly to the Top Panel using two Phillips Screws.

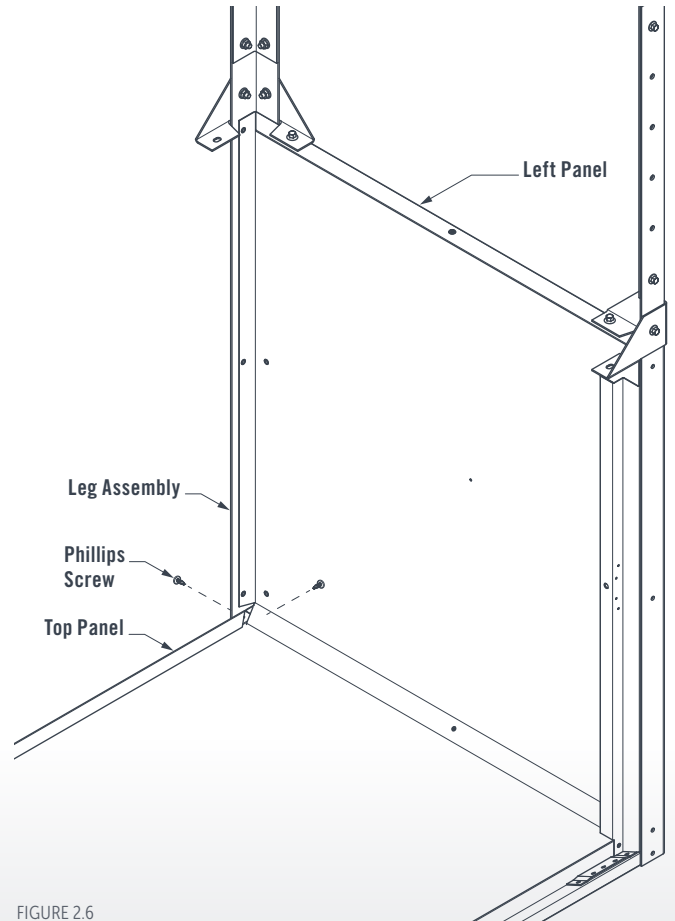


FIGURE 2.6

STRATCO OVER-CAR BONNET STORAGE LOCKER INSTALLATION GUIDE

The Right Panel and Leg Assemblies are assembled in the same manner. Repeat steps from Figure 2.1 to Figure 2.6 to assemble the Right Panel and Leg Assemblies.

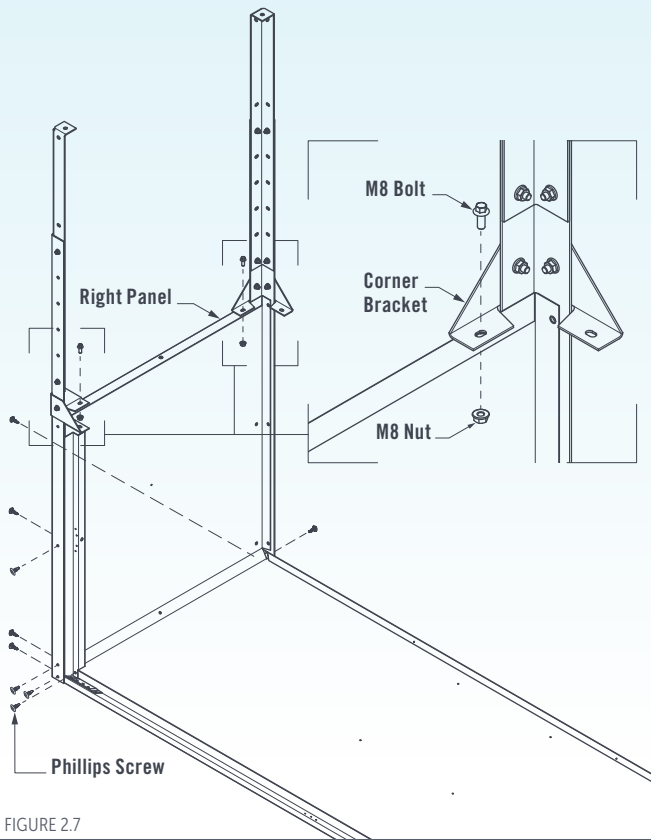


FIGURE 2.7

The Storage Locker must be flipped over 180 degrees so that the legs are on the ground.

If necessary, rotate the Storage Locker 180 degrees so that the front of the Storage locker will be facing the carpark opening once flipped.

Flip the Storage Locker forward 90 degrees.

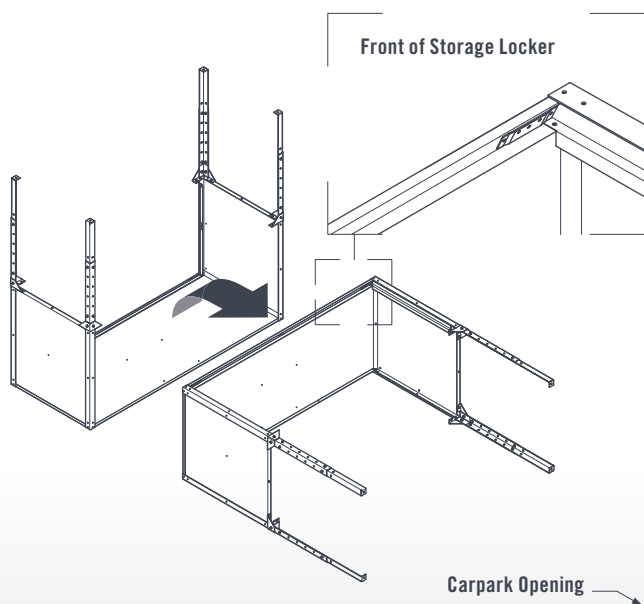


FIGURE 2.8

Lift the Storage locker upright. This lift is 37kg, requiring a minimum of two people. Follow safe lifting practices during this step.

Note: Do not lean against ends of the assembly, as it is not sturdy until the Rear Panel is installed in the next step.

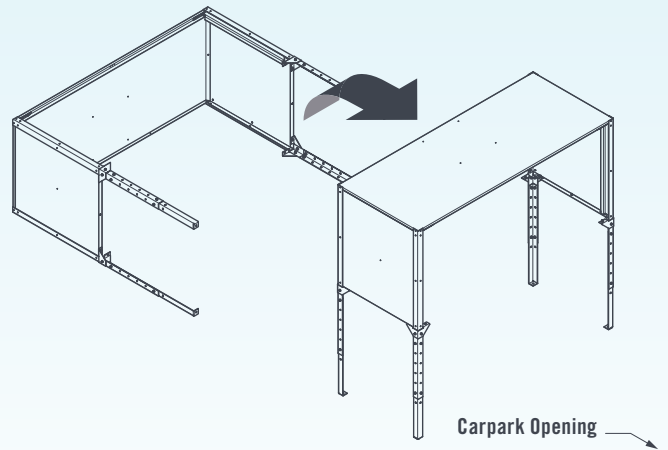


FIGURE 2.9

Fit the Rear Panel inside the Assembly from the front. The Rear Panel sits against the rear of the Side and Top Panels.

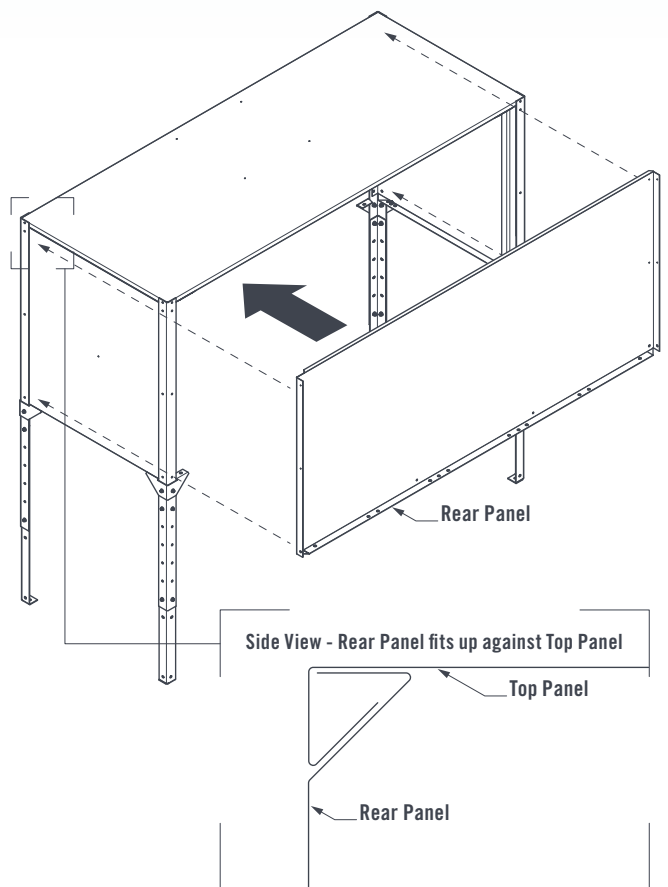


FIGURE 2.10

Fasten the Rear Panel to the Top and Side Panels using ten Phillips Screws.

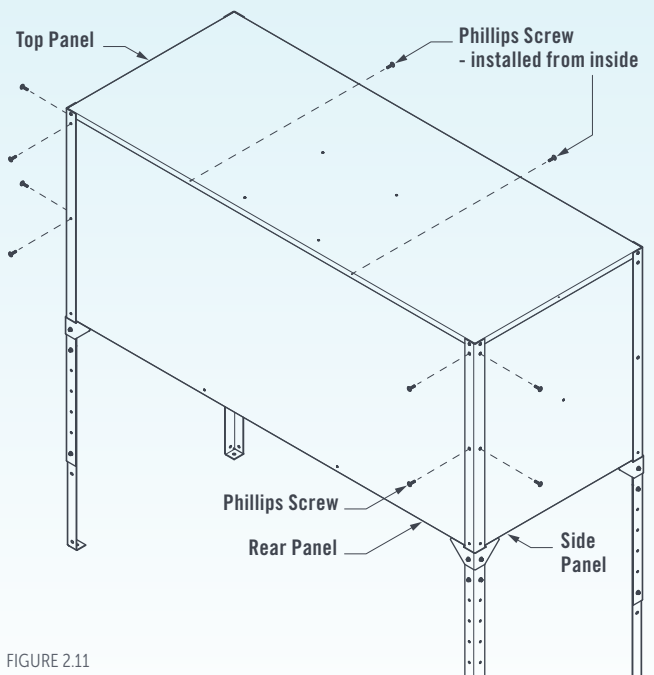


FIGURE 2.11

Remove the four M8 Bolt and Nuts from the Left and Right Side Panels and corner brackets.

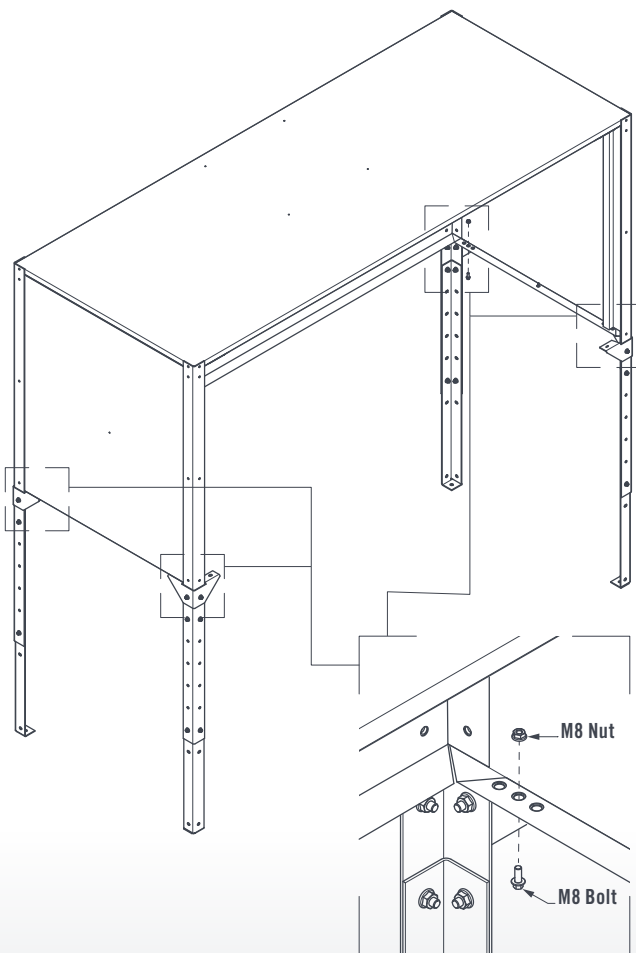


FIGURE 2.12

Slide the Floor Panel into the Assembly from the front. The Floor Panel sits up against the Rear Panel.

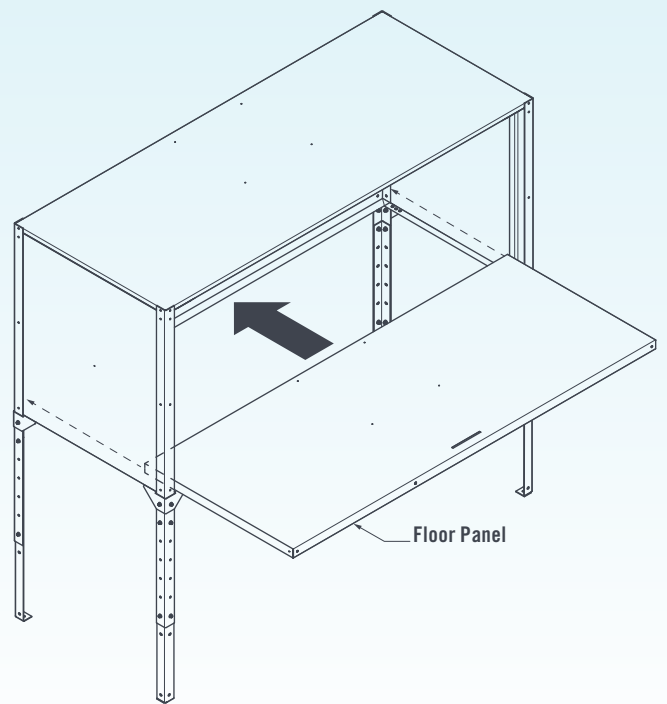


FIGURE 2.13

Ensure the Rear and Side Panels are pushed hard up against the Floor Panel. Fasten the Floor Panel to the Rear and Side Panels using ten Phillips Screws.

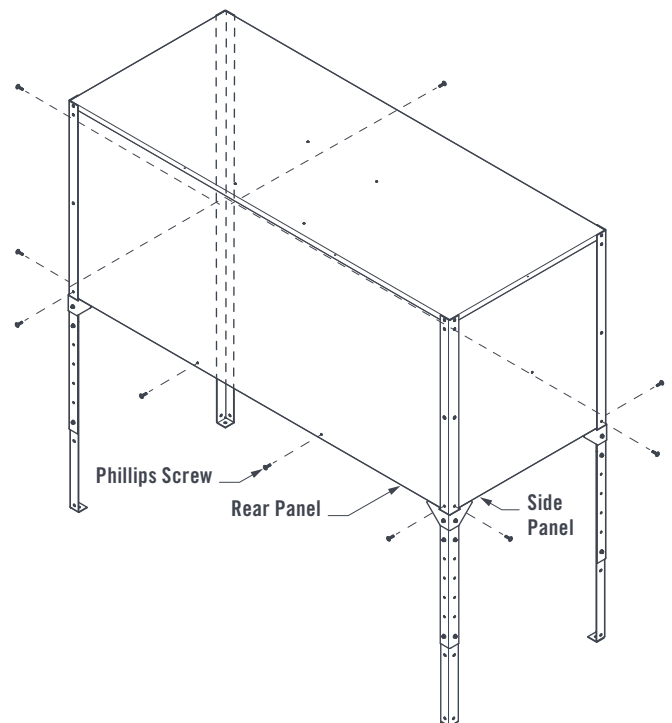


FIGURE 2.14

STRATCO OVER-CAR BONNET STORAGE LOCKER INSTALLATION GUIDE

Two Shelf panels are provided which can act as shelves or dividers. Refer to Figure 2.14 below for available layout configurations. Installation of the Shelf Panels is optional and will not reduce the weight loading limit of the Locker if not installed.

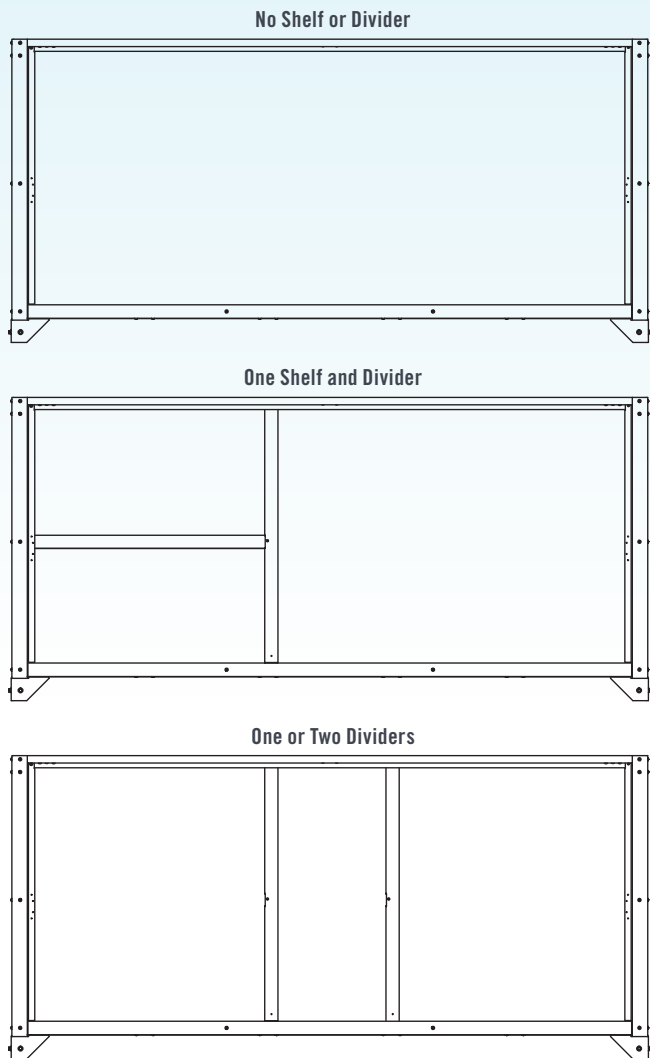


FIGURE 2.15

For Shelf Panels used as dividers, fasten Phillips Screws with washers through the two holes of the Top Panel and into the Shelf Panel. Fasten two Phillips screws through holes of the Shelf Panel and into the Floor Panel (Figure 2.16).

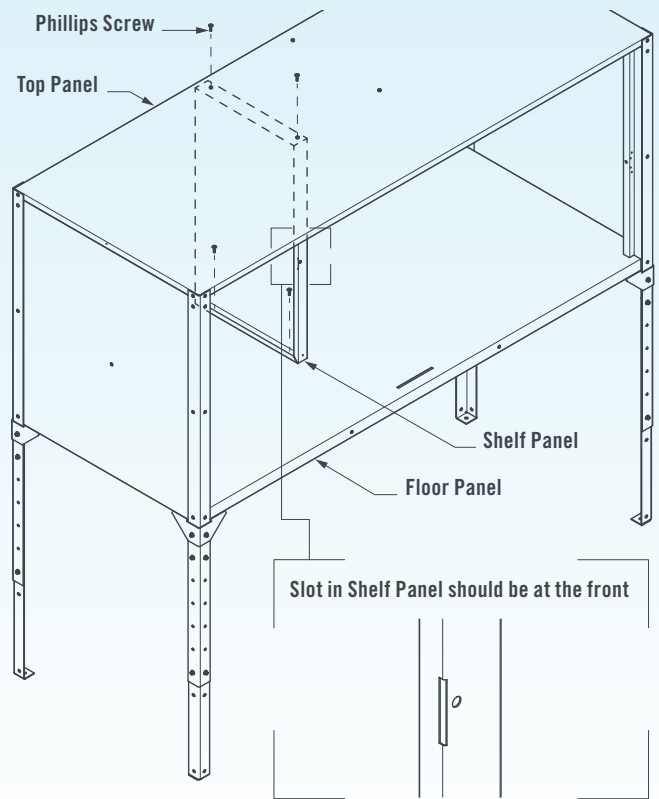


FIGURE 2.16

If using the Shelf Panel as a shelf, install one Shelf Panel as a Divider as per the previous step (Figure 2.16). Fit the Shelf Panel horizontally into the assembly, ensuring the tab of the Shelf Panel fits into the slot in the Divider. Fasten three Phillips Screws through the Divider and into the Shelf Panel.

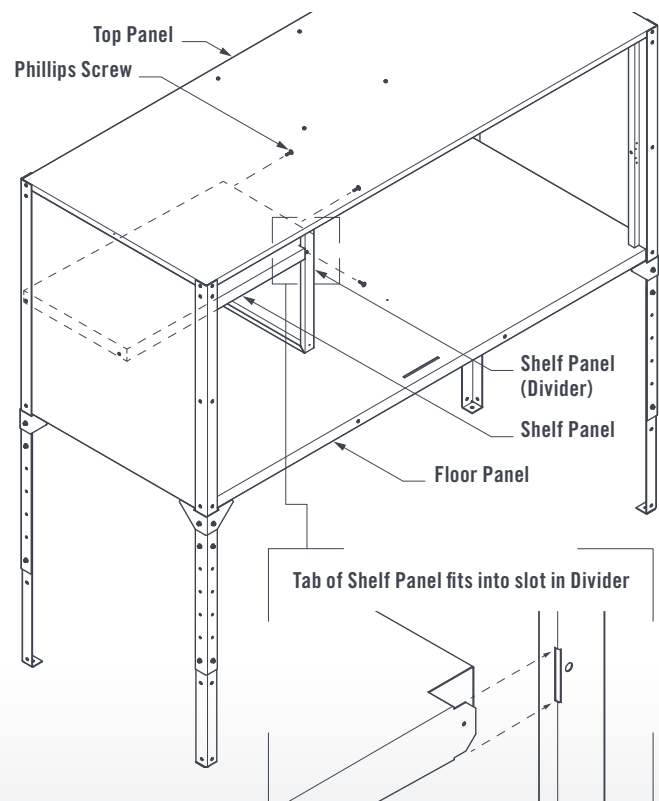


FIGURE 2.17

Remove the two Phillips Screws from the rear left Leg Assembly. Line up the holes of the Shelf with the Side Panel and leg holes and fasten in place using three Phillips Screws.

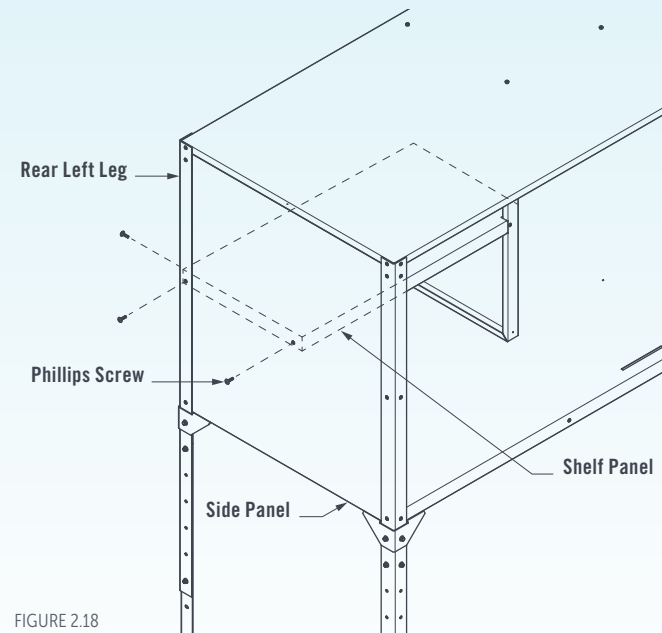


FIGURE 2.18

To prevent water from entering the Storage Locker, Phillips Screws With Washers must be fastened through all four holes in the top panel, regardless of shelf/ divider configuration.

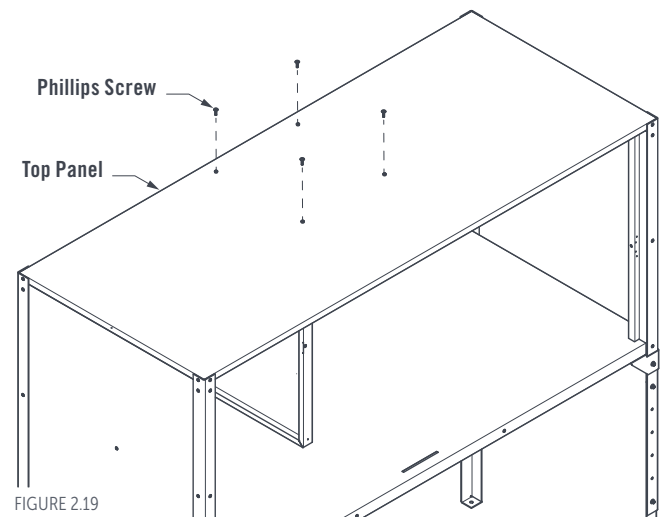


FIGURE 2.19

ANCHORING AND BRACING ASSEMBLY

It is highly recommended that the Storage Locker be secured to a concrete slab using the provided M10 Masonry Anchors at all four footings, mitigating the chance of damage in the event of a collision with car or due to loads inside the Storage Locker falling over. The 400kg load rating is valid in both situations where the Storage Locker is and is not bolted to a concrete slab.

Fasten one M8 Bolt and Nut through the end hole of the Leg Brace and into the hole of the Floor Panel for all four Leg Braces. Fasten six M8 Bolt and Nuts through the corner brackets and into the Base Panel (Figure 3.0).

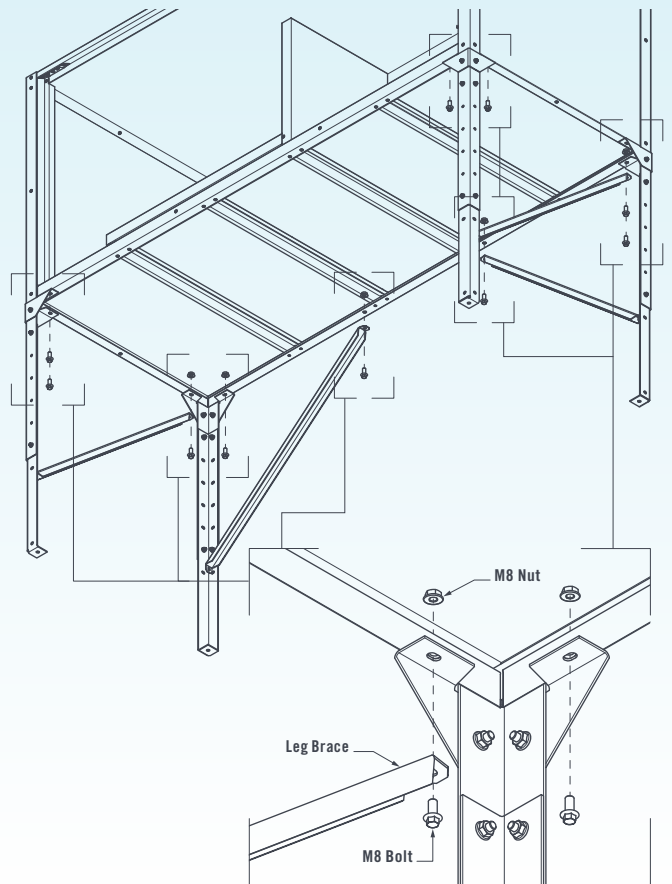


FIGURE 3.0

Remove the four M8 Bolt and Nuts from the Leg Assemblies as indicated in Figure 3.1 below. Fasten one M8 Bolt and Nut through the end hole of the Leg Brace and into the hole of the Leg Assembly for all four Leg Braces.

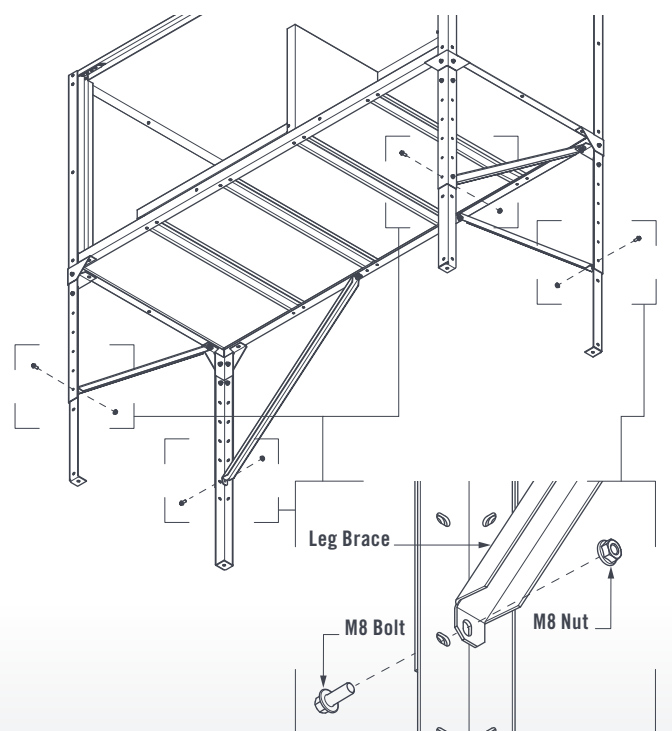


FIGURE 3.1

STRATCO OVER-CAR BONNET STORAGE LOCKER INSTALLATION GUIDE

If not yet in final anchoring position, shuffle the Assembly into the final anchoring position. Note: A piece of cardboard can be placed under each Leg Footing to easily slide the Assembly without scratching the floor.

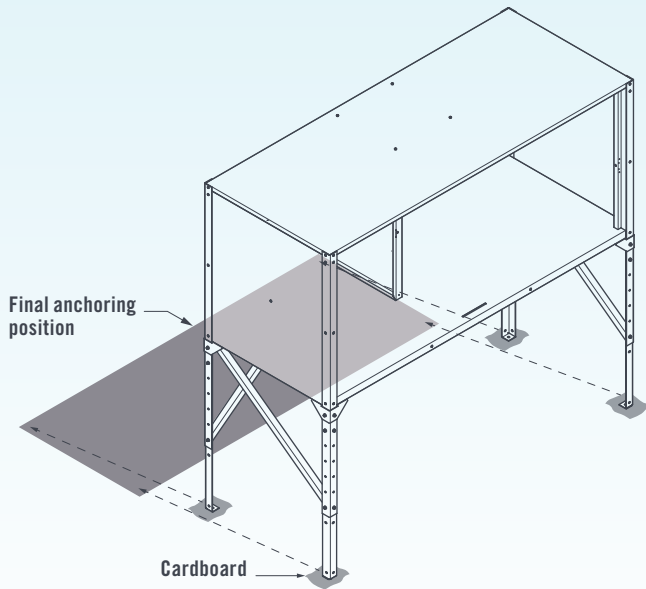


FIGURE 3.2

If anchoring the Storage Locker to a concrete slab, skip the following step.

Fasten the Bottom Brace to the Legs with an M8 Bolt and Nut at all four corners.

If not anchoring to a concrete slab, skip Figure 3.4 -3.7 and go to 'Door Assembly' section.

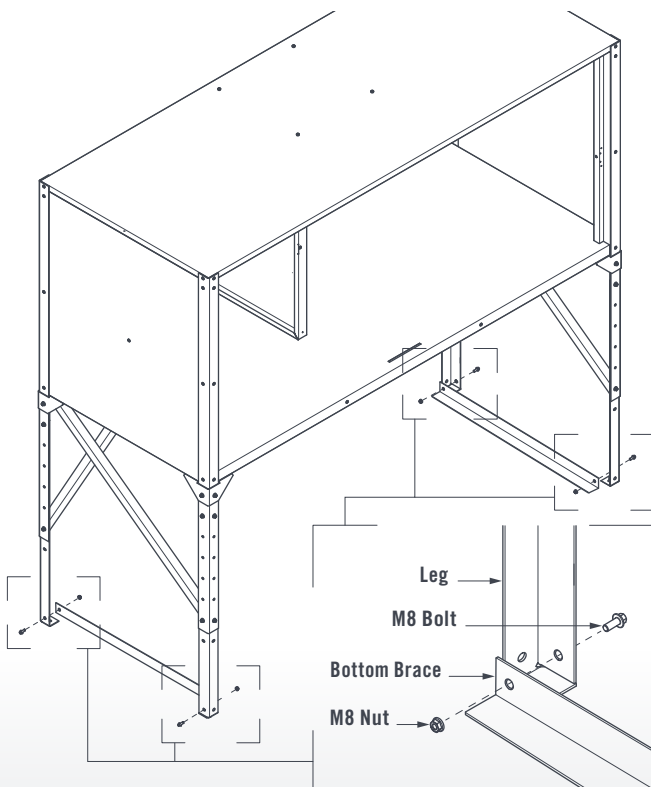


FIGURE 3.3

Mark hole locations at all four corners through the hole in the Leg Footing onto the concrete slab.

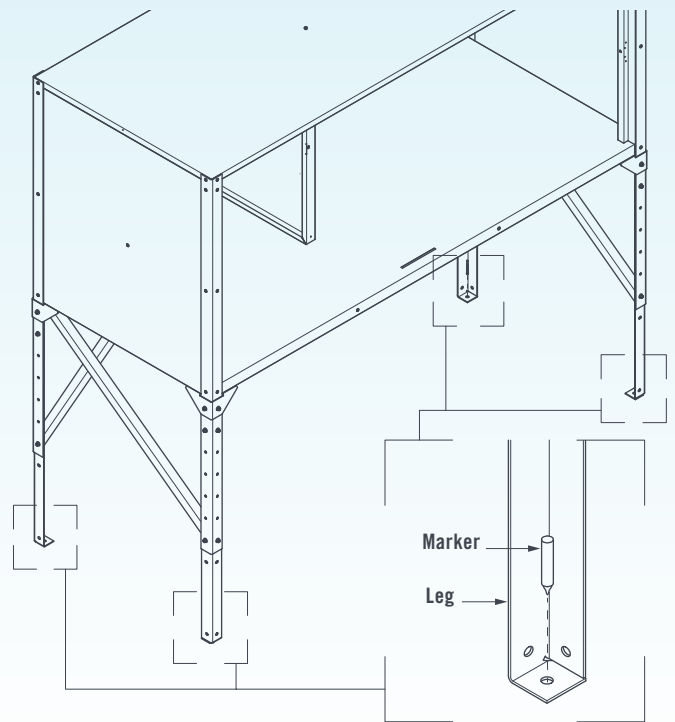


FIGURE 3.4

Move the Storage Locker to the side, as to reveal hole markings on the concrete slab. Use a 12mm Masonry Drill Bit to drill a hole into the concrete slab at all four markings. Insert M10 Masonry Anchors into the holes at all four corners. Fasten each Masonry Anchor to the floor with an M10 nut. Loosely screw an additional M10 Nut onto each Masonry Anchor.

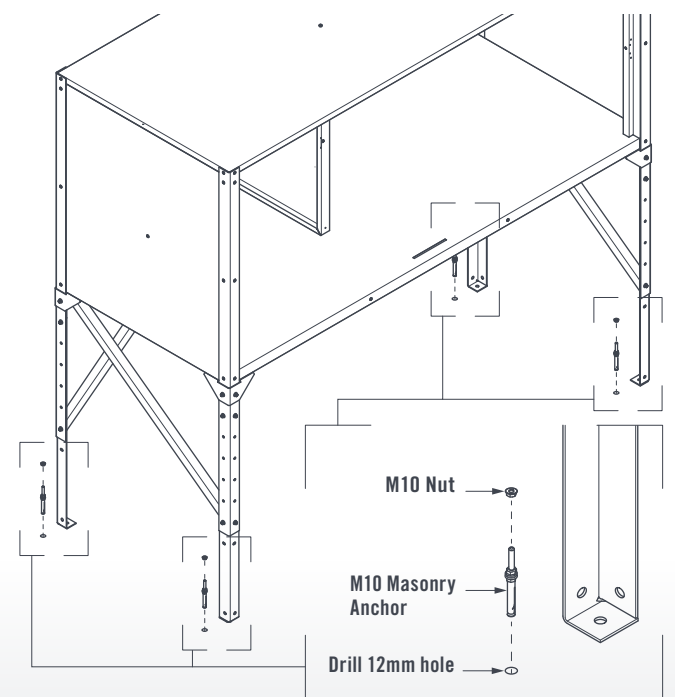


FIGURE 3.5

Fit the Leg Footings onto the Masonry Anchors. Fit the Bottom Brace onto the Masonry Anchors at both ends. Loosely screw an additional M10 Nut onto each Masonry Anchor.

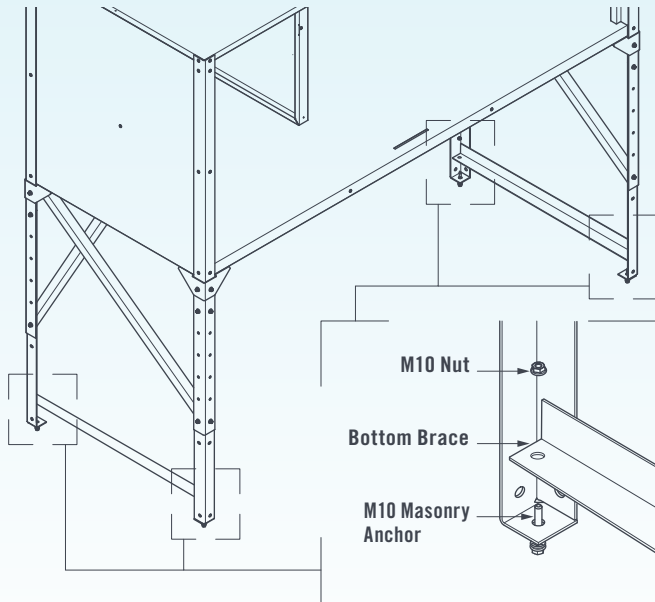


FIGURE 3.6

Turn the lower and upper Nuts to adjust the footing heights, as to account for uneven surface in the floor.

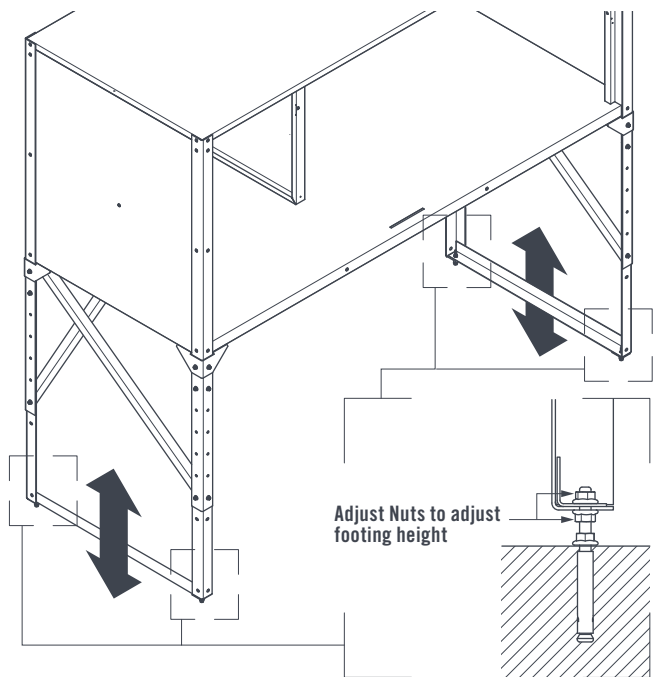


FIGURE 3.7

DOOR ASSEMBLY

Fasten a Strut Bracket to the Left and Right Panels using four Phillips Screws in each side.

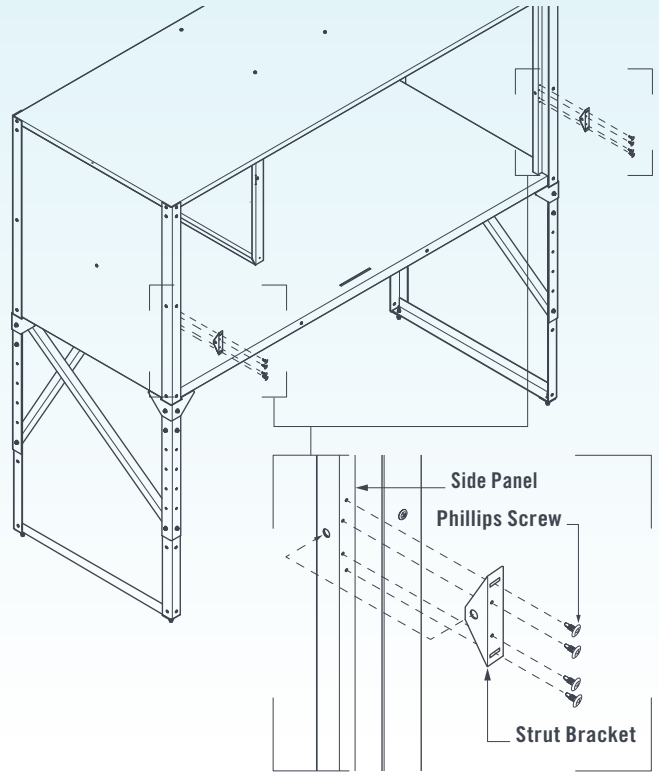


FIGURE 4.0

Fasten the Gas Strut to the Strut Bracket on both sides.

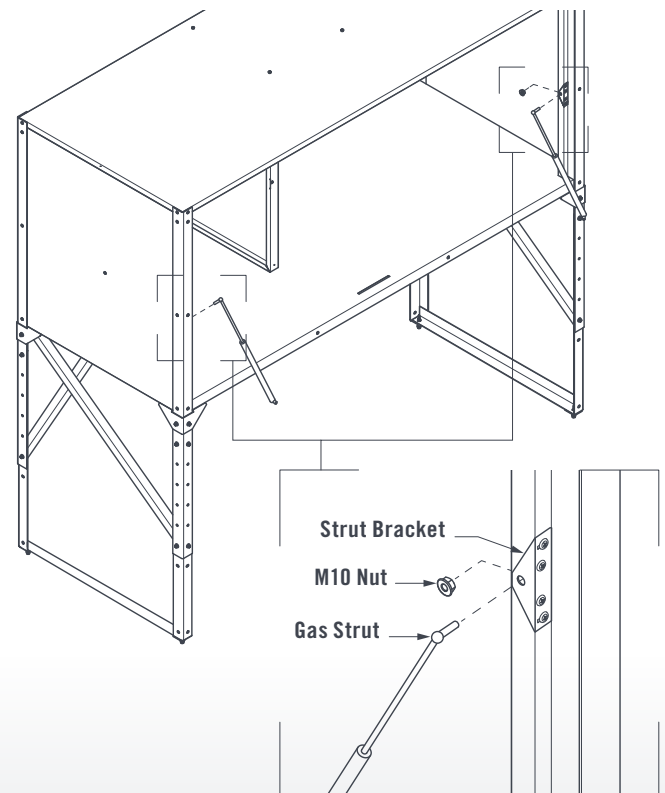


FIGURE 4.1

STRATCO OVER-CAR BONNET STORAGE LOCKER INSTALLATION GUIDE

With two people holding the Door Panel (one person at each end of the Panel) slot the Hinge into the Hinge Bracket at both ends.

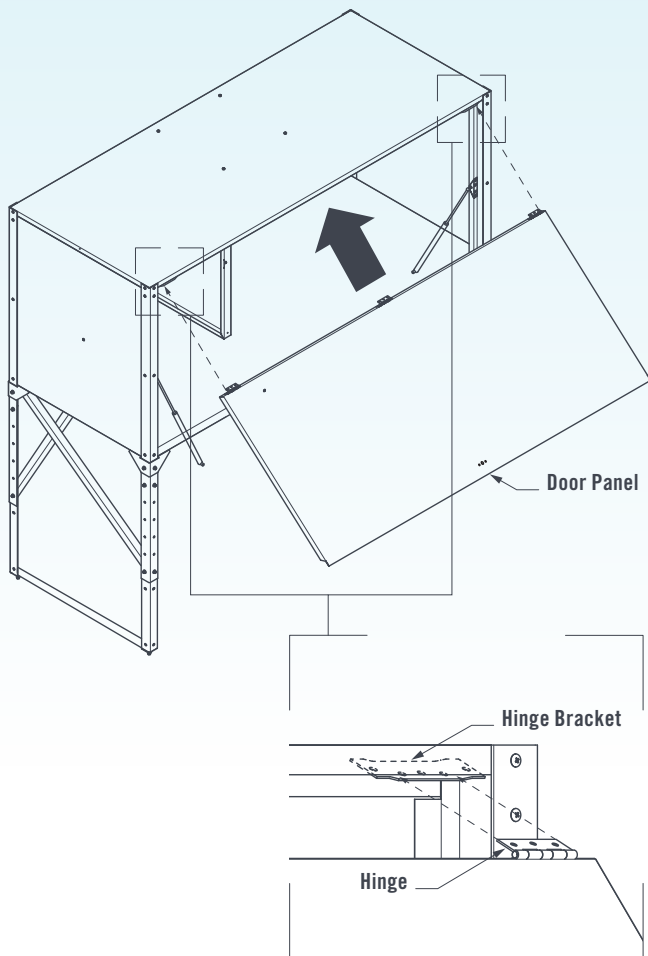


FIGURE 4.2

Have one person positioned at the centre holding the Door Panel in position. Fasten upwards through the Hinge Bracket and into the Hinge using three Phillips Screws at both ends (Figure 4.3). Fasten the centre Hinge to the Top Panel using three Phillips Screws.

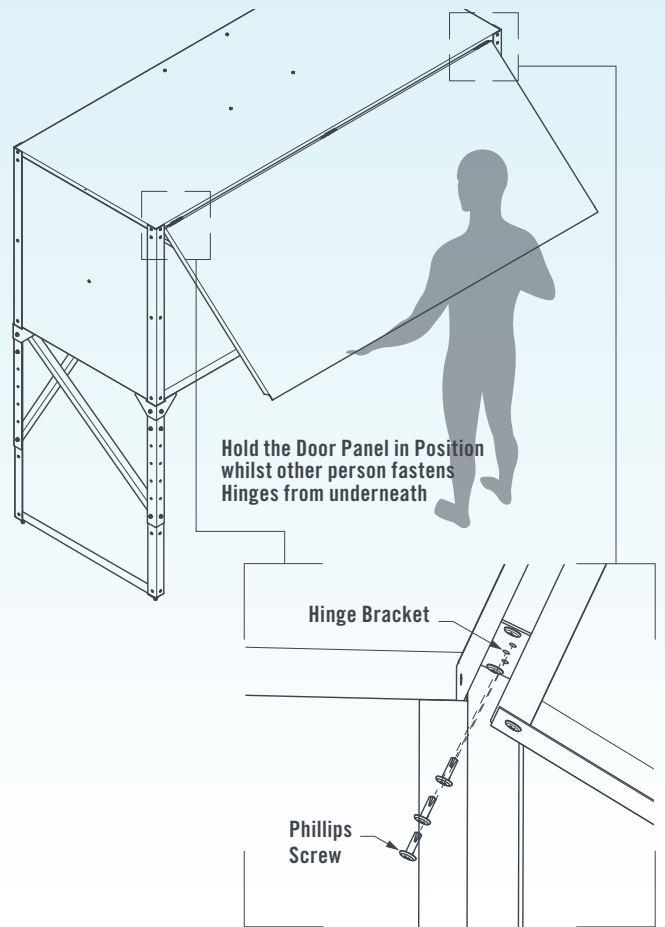


FIGURE 4.3

Attach the Pull Cord to the Door Panel. The knotted end of the Pull Cord slots into the Door Panel Bracing.

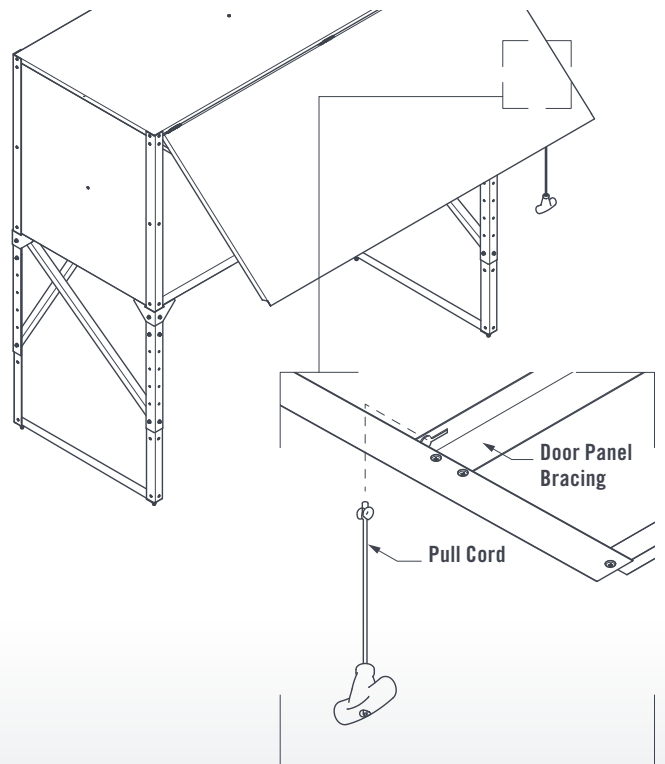


FIGURE 4.4

Fit the Door Handle to the Door Panel. Fasten through the Door Handle and into the Door Panel using two Phillips Screws.

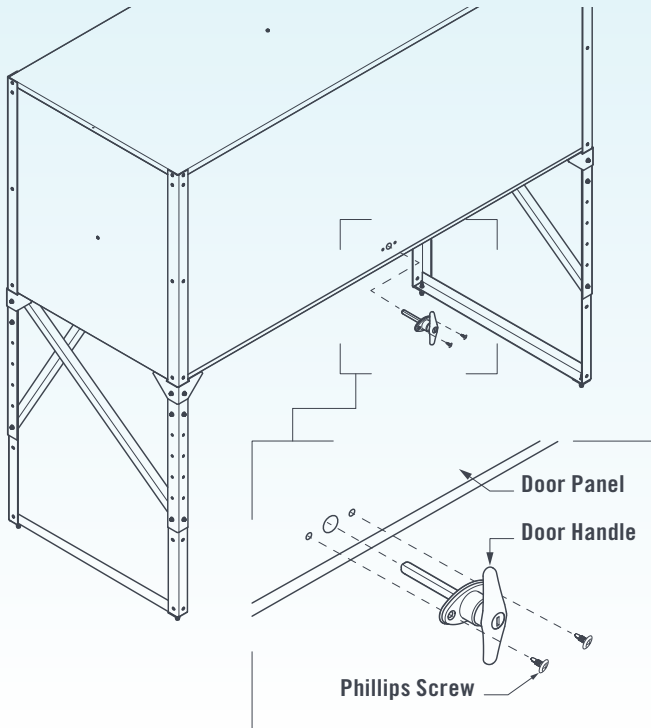


FIGURE 4.6

From the inside of the Door Panel, fit the Door Handle Tongue onto the Door Handle Shaft. With the Door Handle Tongue pushed against the Door Panel, tighten the Door Handle Tongue Screw. Fit the supplied Lock Washer onto the Door Handle Shaft.

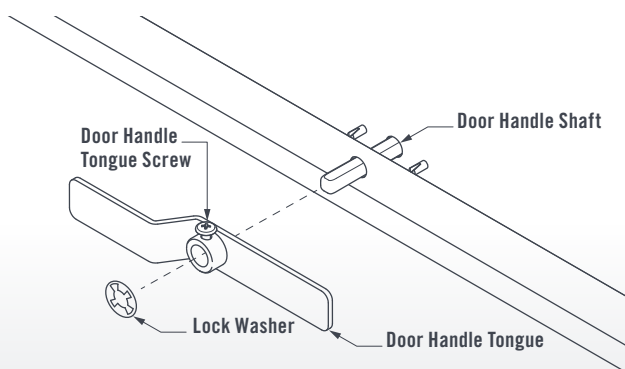


FIGURE 4.7

With the Door in 'Open' position, fasten the Gas Strut to the Door Strut Bracket with an M10 Nut on both sides.

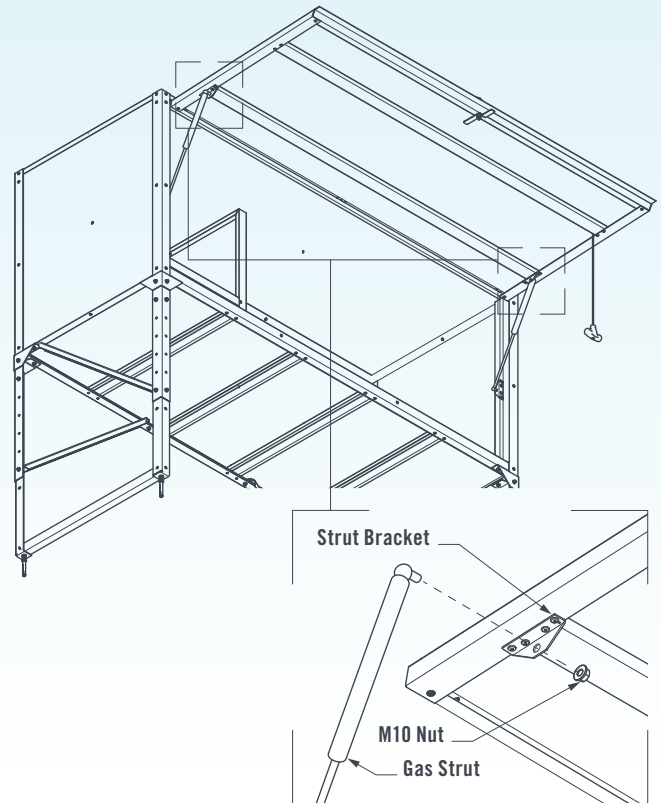
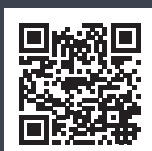


FIGURE 4.8



« SCAN THIS QR CODE TO FIND A STRATCO NEAR YOU

1300 155 155
stratco.com.au

All brands and logos/images accompanied by © or ™ are trade marks of Stratco (Australia) Pty Limited. © Copyright January 2023

How To.

