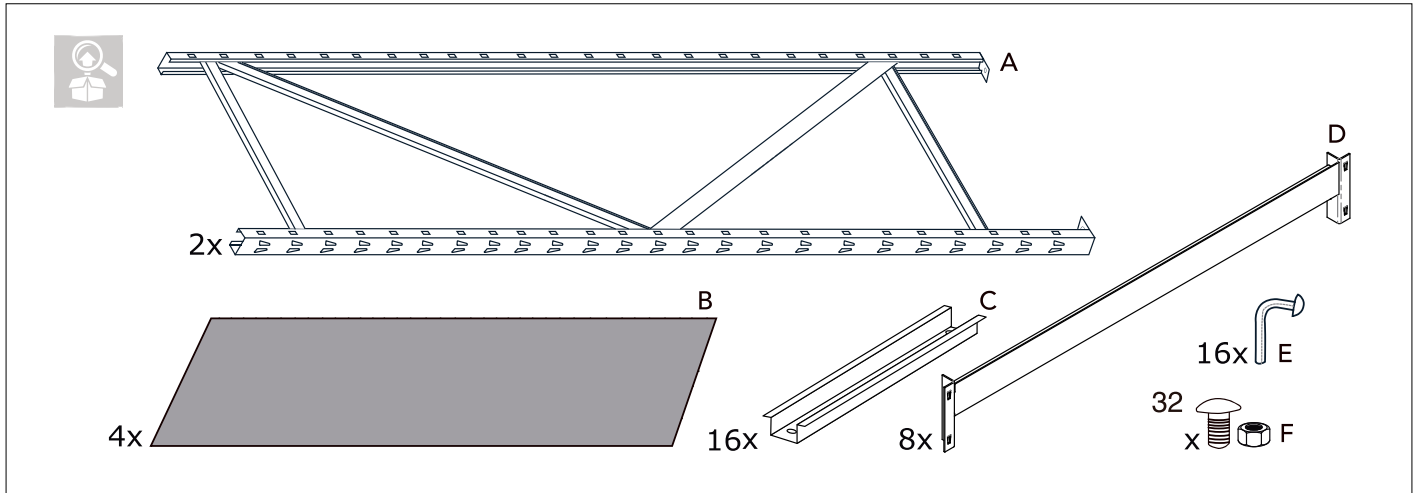


**THANK YOU FOR PURCHASING YOUR HEAVY DUTY 4 SHELF UNIT.**

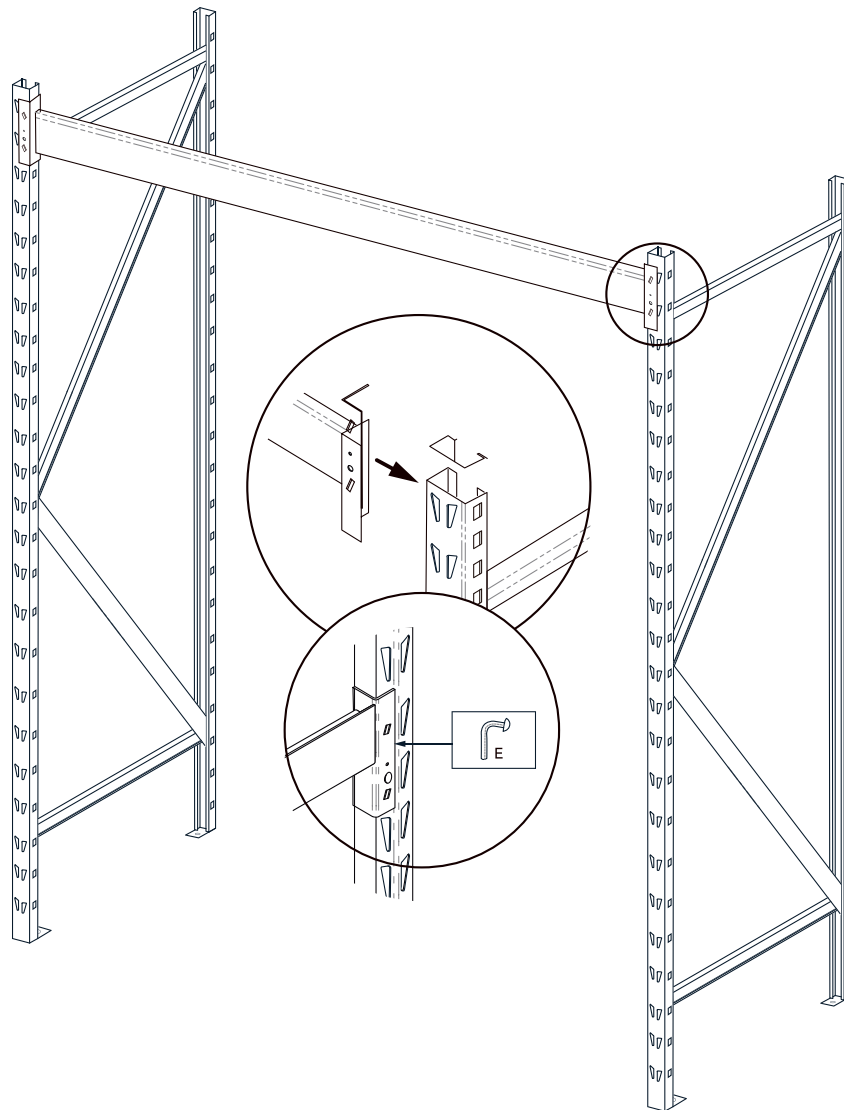
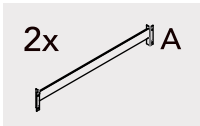
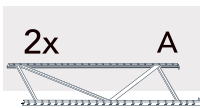
Please carefully read and follow these instructions to assemble your cabinet.

ENSURE PROTECTIVE EYEWEAR AND GLOVES ARE WORN WHEN ASSEMBLING THIS UNIT.

**WARNING: SERIOUS INJURY CAN BE CAUSED BY TOPPLING FURNITURE.** To help prevent tip-over, we recommend you anchor this product to a wall or other suitable surface. Check anchors regularly.



## Step 1

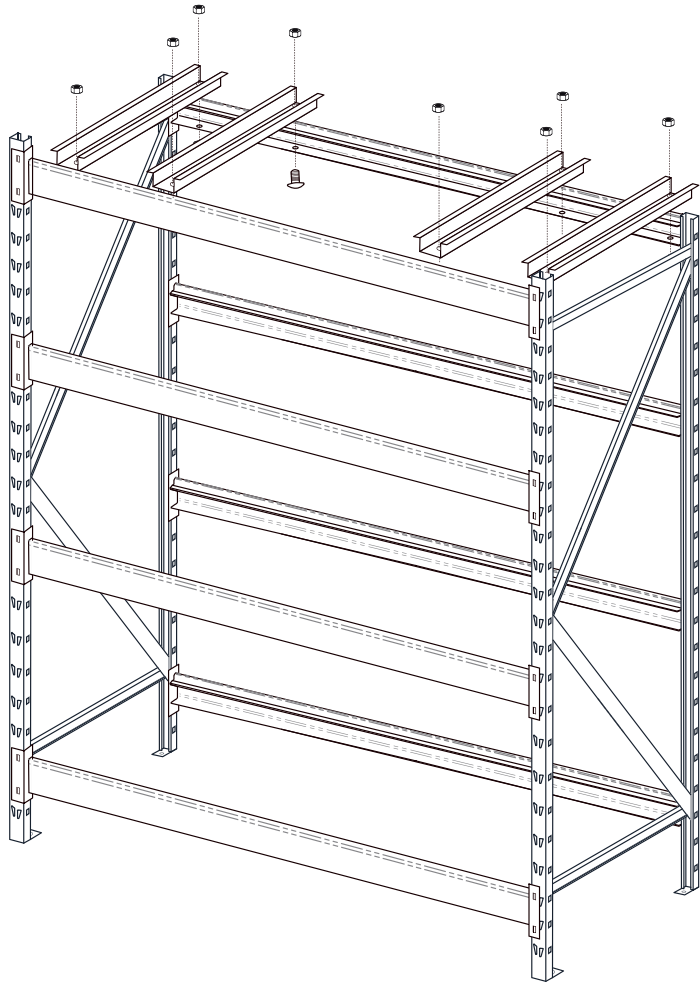
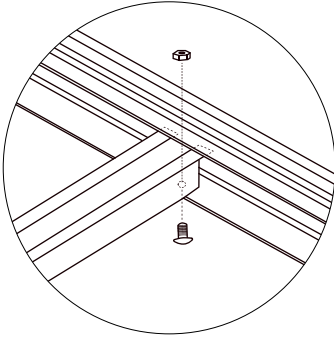


## Step 2

16x C



32x F



## Step 3

4x B

