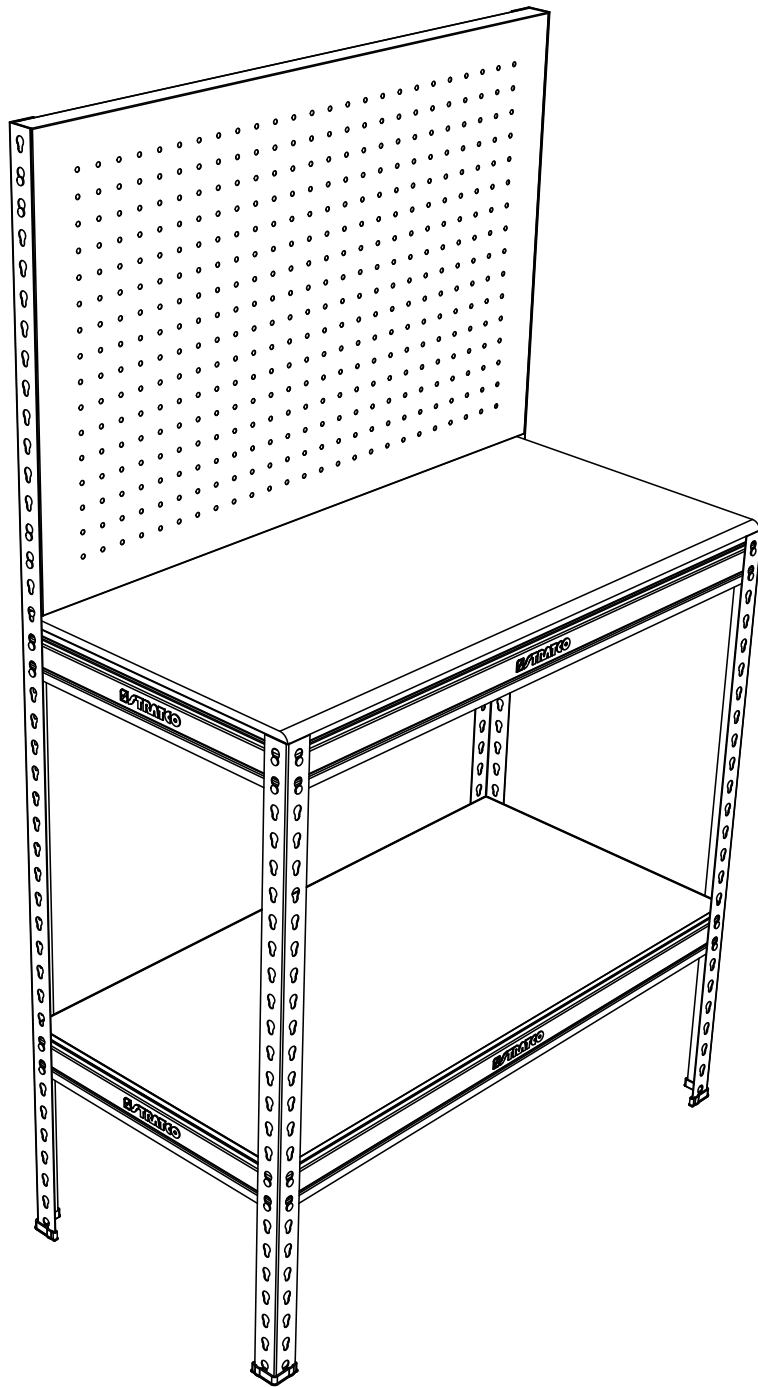


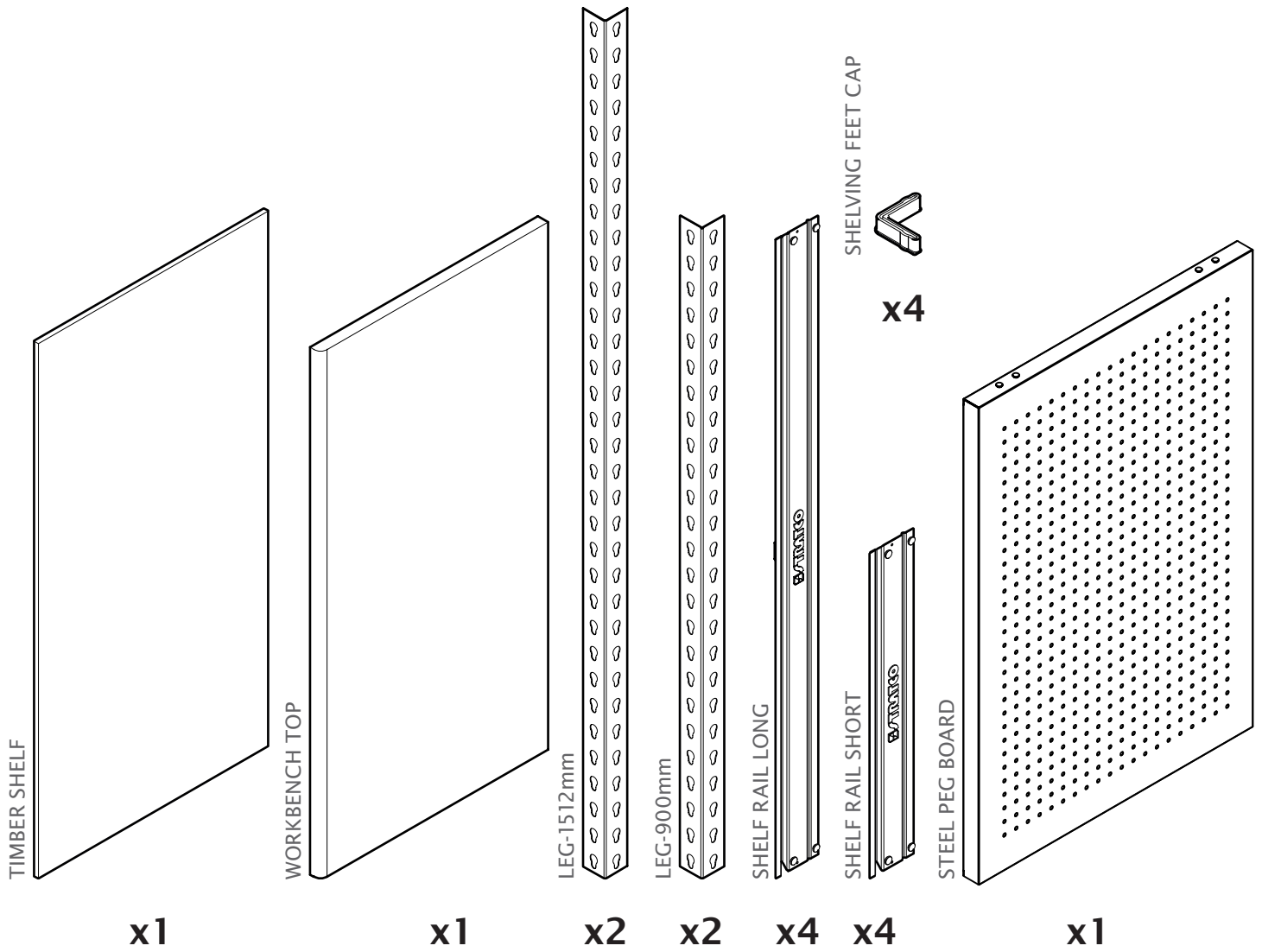


# Rivet Lock Shelving Kit

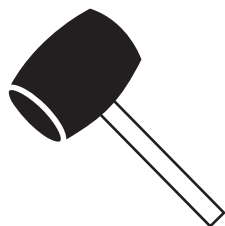
## PEGBOARD ASSEMBLY



# COMPONENTS

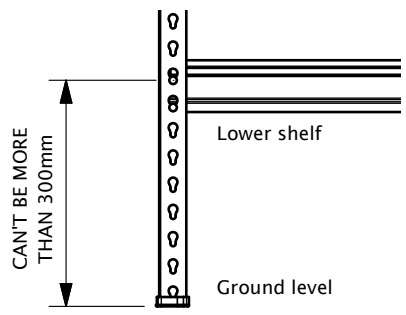


# TOOL REQUIRED



1x RUBBER Mallet

# ASSEMBLY



NOTE:  
The lower shelf cannot be more than 300mm above ground level due to stability.

