



THANK YOU FOR PURCHASING YOUR PLATINUM 2 DOOR CABINET.

Please carefully read and follow these instructions to assemble your cabinet.

ENSURE PROTECTIVE EYEWEAR AND GLOVES ARE WORN WHEN ASSEMBLING THIS UNIT.

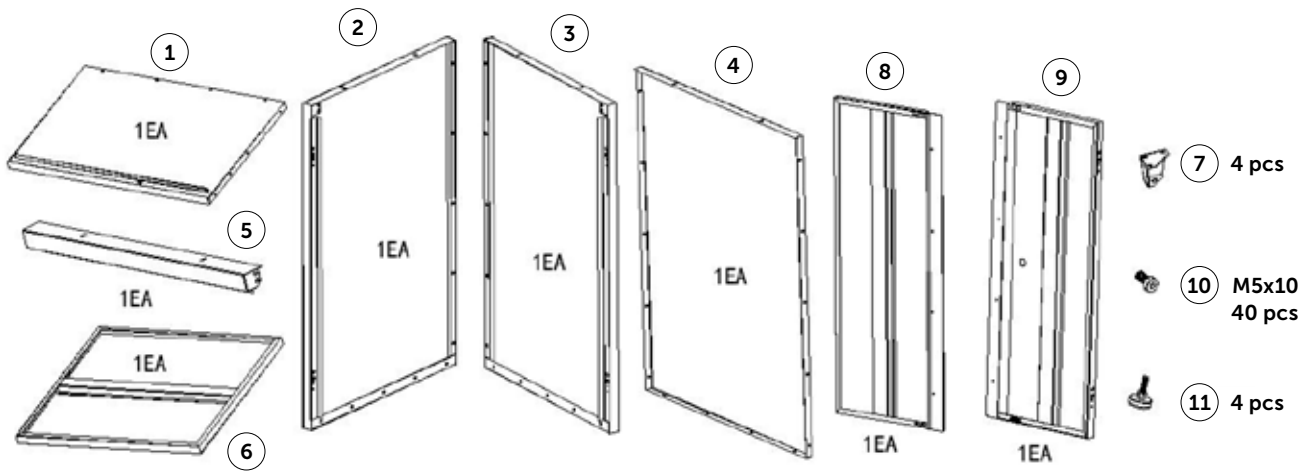
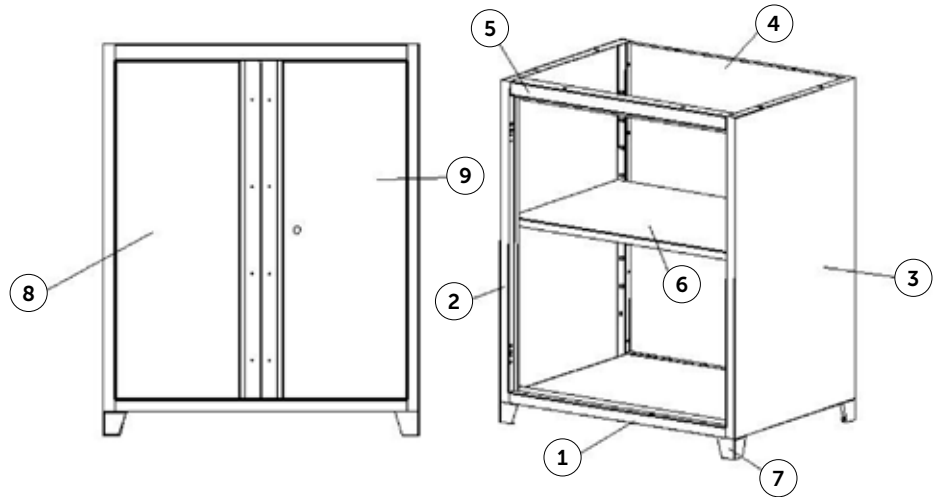
Components

⑩ M5x10 Screw - 40 pieces

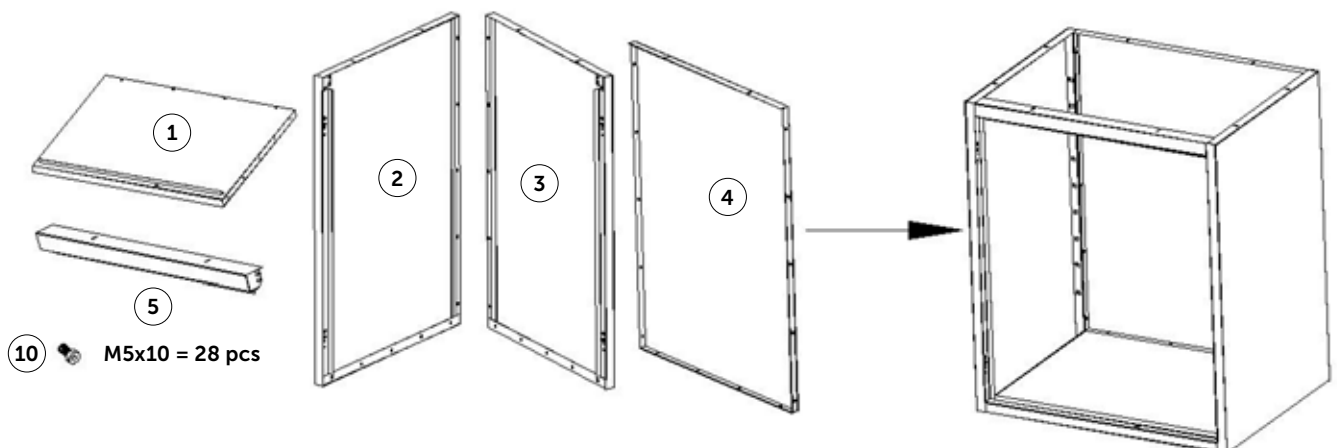
⑪ Adjustable Feet - 4 pieces

• Shelf Support - 4 pieces

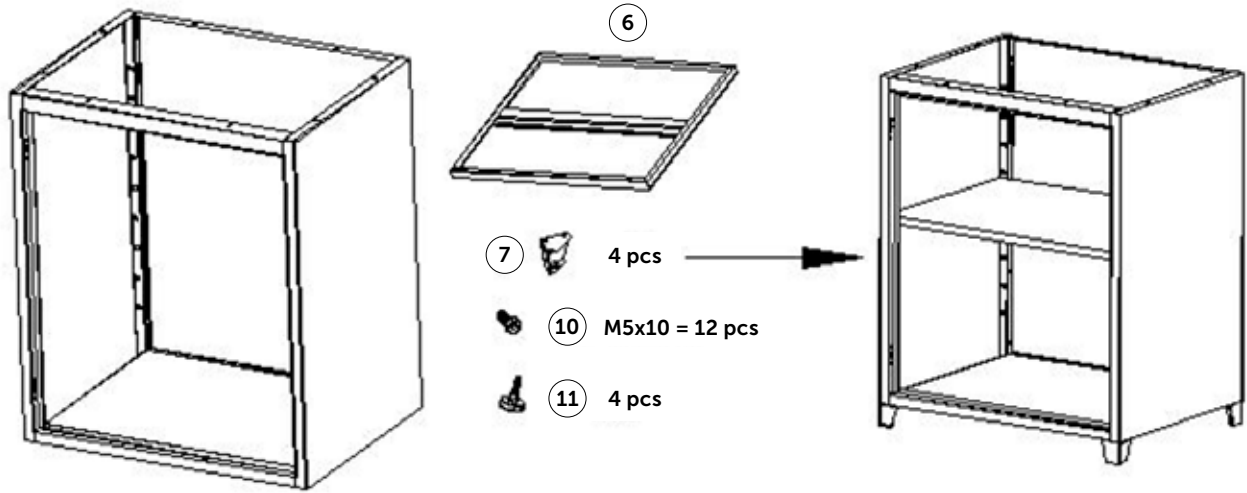
• M4x12 Screw - 8 pieces
(for installing counter top)



Step 1



Step 2



Step 3

