

BOLTED SHELVING SYSTEM

BOLTED SHELVING SYSTEM INSTALLATION GUIDE

STRATCO

BEFORE YOU START

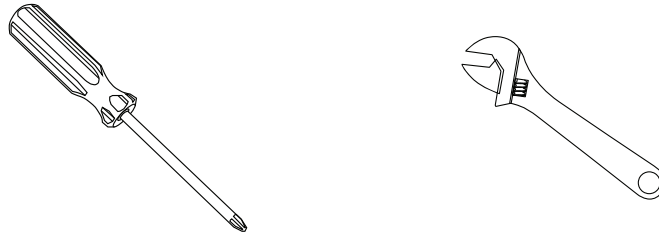
To ensure that the installation and erection of your Stratco Bolted Shelving Unit proceeds smoothly you should confirm that all the components and materials in this installation guide, have been supplied. Carefully read this installation guide to familiarise yourself with all the steps involved, and ensure that you have the correct tools and equipment for the job.

IMPORTANT SAFETY WARNING

Incorrect assembly, positioning or loading of shelving units may result in injury from falling items.

- Please carefully read and follow the assembly instructions.
- Please ensure gloves and safety protection is worn when handling and assembling the shelving unit and components.
- Stand shelving unit on flat and level concrete surface.
- If heavy items are to be stored, fix the shelving unit to the wall with appropriate fasteners.
- The heaviest items should be placed on the bottom shelves and spaced evenly, to distribute the load.
- Maximum load 50kg per shelf, evenly distributed.

TOOLS REQUIRED



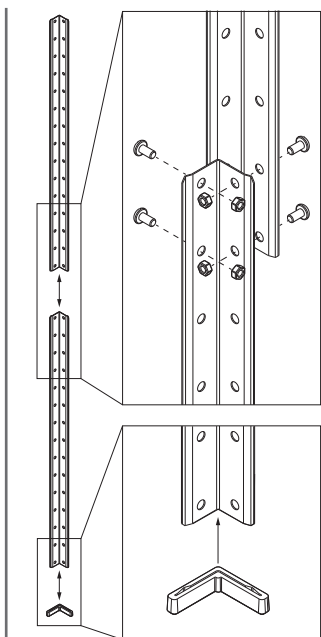
COMPONENT DETAILS

4 SHELF KIT:

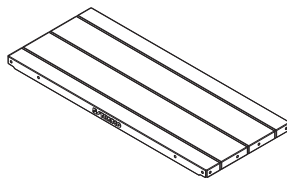
SHELVES	x4
LEG SECTIONS	x8
SAFETY FEET	x4
FASTENERS BAG	x1
CORNER BANGLE BRACKETS	X10

5 SHELF KIT:

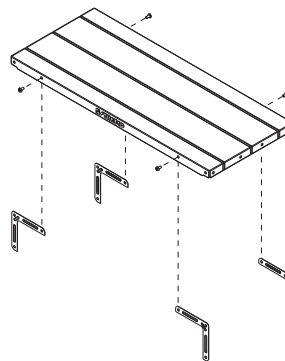
SHELVES	x5
LEG SECTIONS	x8
SAFETY FEET	x4
FASTENERS BAG	x1
CORNER BANGLE BRACKETS	X10



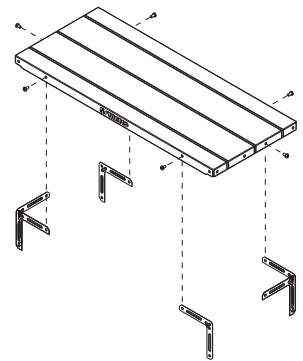
Leg A (x4) (Connection A)



Shelf B

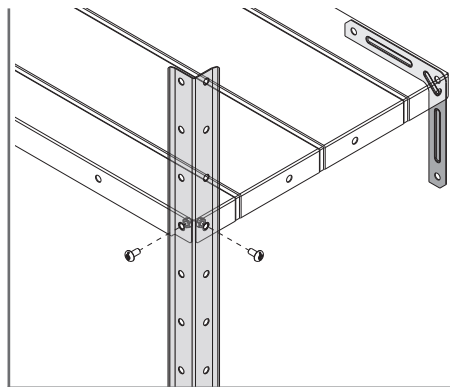
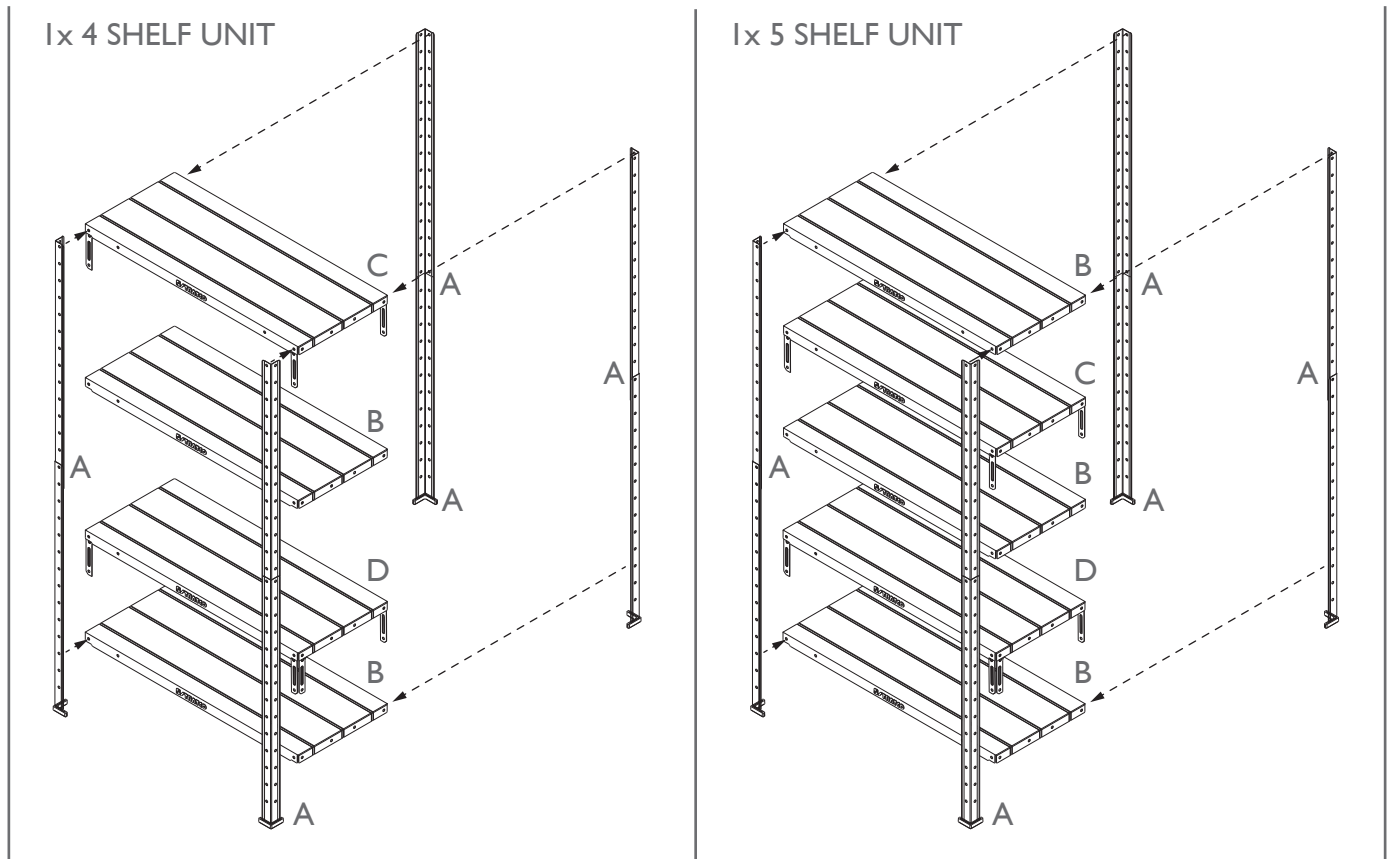


Shelf C (x1)

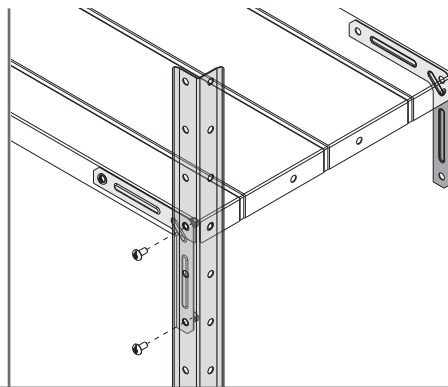


Shelf D (x1)

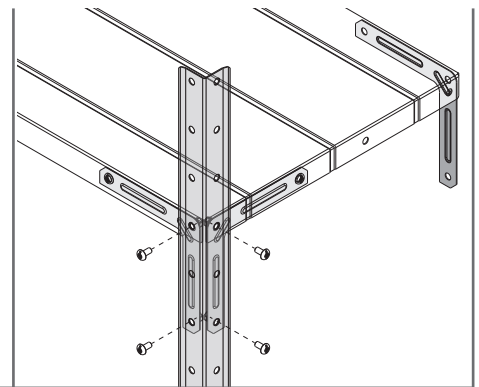
ASSEMBLY DETAILS



Connection B



Connection C



Connection D



« Scan this QR code with your smart phone to find a Stratco near you.
 QUEENSLAND • NEW SOUTH WALES • VICTORIA
 AUSTRALIAN CAPITAL TERRITORY • SOUTH AUSTRALIA
 WESTERN AUSTRALIA • NORTHERN TERRITORY

All brands and logos/images accompanied by ® or ™ are trade marks of Stratco (Australia) Pty Limited.
 CODE SS-10007 SS-10008 FORM S- 628 © Copyright October 2017

Ph: 1300 155 155
stratco.com.au