

Please carefully read and follow these instructions to assemble your unit.

ENSURE PROTECTIVE EYEWEAR AND GLOVES ARE WORN WHEN ASSEMBLING THIS UNIT.

For Your Safety

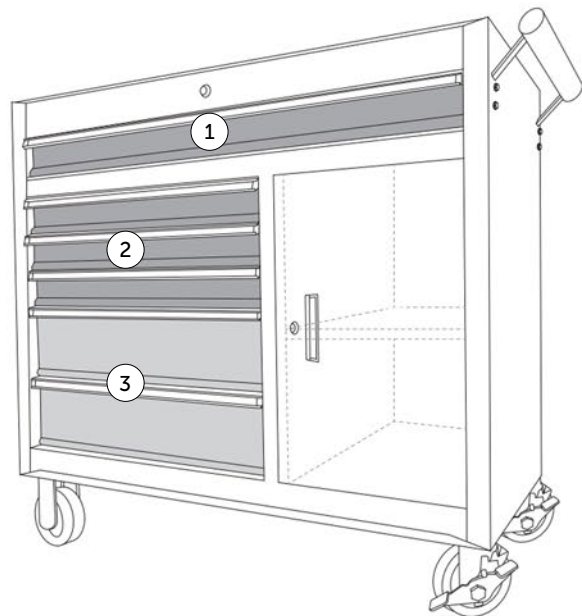
- Read these instructions carefully and use the product correctly. Make sure to understand and follow any warnings.
- We're not liable for any product damage, body injury, property damage, or other damages caused by incorrect use.
- If you have any doubt, please contact the store or our customer service centre.

Warnings

- This product is only for tool storage purpose. Do not use it for other purposes.
- Persons other than professionals should not disassemble, repair or modify the product.
- Although it can be locked, we do not provide guarantee for safety of contents in it.
- Keep children and infants away from installation places.
- Handle this product carefully. If it falls or receives a strong impact, please check all parts again carefully.
- If you find anything wrong, please stop using and call the store you purchased from or contact our customer service.
- Do not use the product when you are overworked, taking alcohol or drugs. It may cause injury by improper use.
- Do not overload and make sure all drawers are closed and locked when moving.
- Do not open more than one drawer at a time and make sure tools are evenly distributed inside.
- Install this product on a clean, flat and hard floor inside the house. After installation, please lock the swivel casters.
- Do not step, sit or lean on the product .
- Do not roll the product on rocky, sandy and uneven roads. Moving the product over a long distance may cause damage to the casters.
- Do not perform welding, hammering or disassembly work on top plate.
- Lubricate casters and bearing rails regularly.

Product

- Item code: SS-10428 (THD-372061DE)
- Overall size: W 940 x D 330 x H 940mm
- Weight: 40kg
- Top plate size: W 935 x D 328mm
- Top plate loading: 30kg
- Drawer size:
 - 1 - W 830 x D 290 x H 110mm
 - 2 - W 510 x D 290 x H 75mm
 - 3 - W 510 x D 290 x H 154mm
- Drawer loading: 10kg
- Door size: W 310 x D 310 x H 550mm
- Shelf size: W 310 x D 290mm
- Shelf loading: 25kg
- Caster size: D4" x T1 .25"

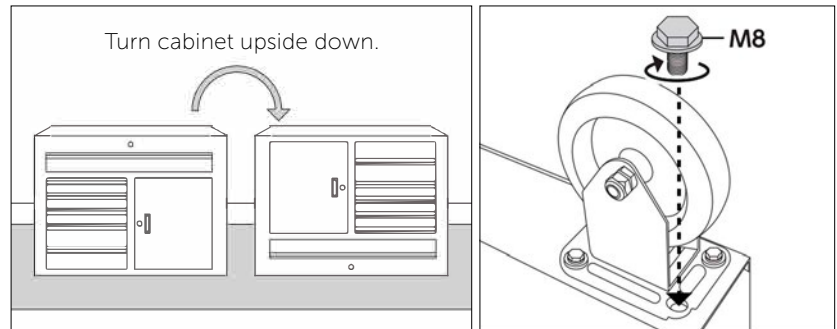


Installation

- Please remove package and take out caster box and side handle box from drawers.
- Please take out shelf and mats and lock the cabinet.
- Check all accessories carefully. If you find anything damaged or missing, please contact the store you purchased from or our customer service centre.

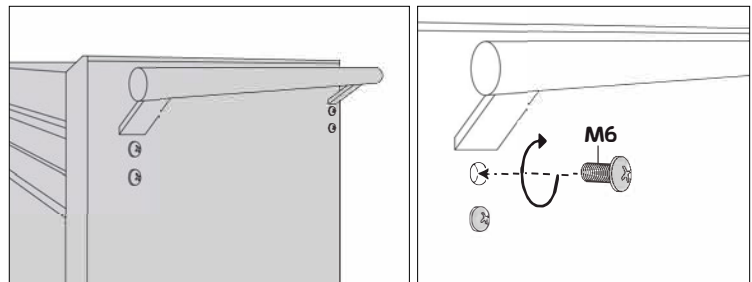
Casters

- Please turn the cabinet upside down with the help of two or more people.
- Swivel casters should be on one side and make sure M8 bolts are tightened with a 12mm wrench.



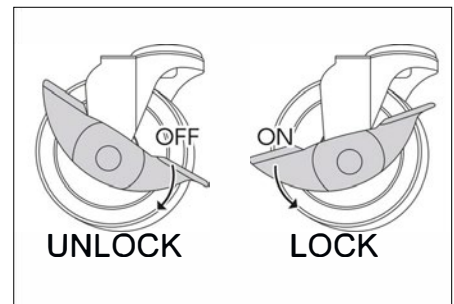
Side Handle

- Attach side handle on swivel casters side and tighten M6 bolts.



How to Use

- Please notice 'ON' and 'OFF' are stamped on casters.
- When locking, you can push down 'ON' side and confirm it does not move.
- Please lock two swivel casters together.
- Push down 'OFF' sides to unlock the casters.



REMOVE DRAWERS

- Open the drawer and check the levers of ball bearing slides.
- Push down on the upward lever and push up on the downward lever at the same time and pull out the drawer.

INSTALL DRAWERS

- Align the drawer rails with rails on cabinet and push it in.
- Pull out and push in the drawer for several times to make sure it is running smoothly.

