

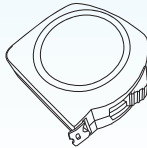
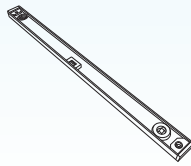
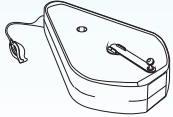

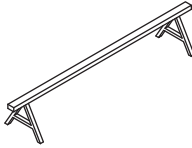
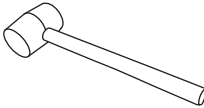

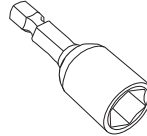
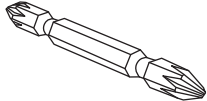

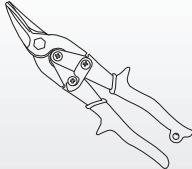
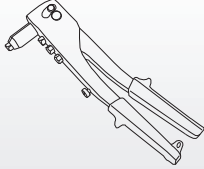
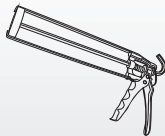
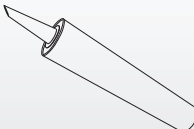
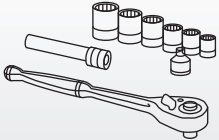




BEFORE YOU START

Carefully read these instructions and refer to them constantly during each stage of construction. If you do not have all the necessary tools or information, contact Stratco for advice. Before starting, lay out all components and check them against the delivery docket. The parts description identifies each key part. Double check all dimensions, levels and bolting locations before cutting, screwing or bolting structural members.

TOOLS REQUIRED

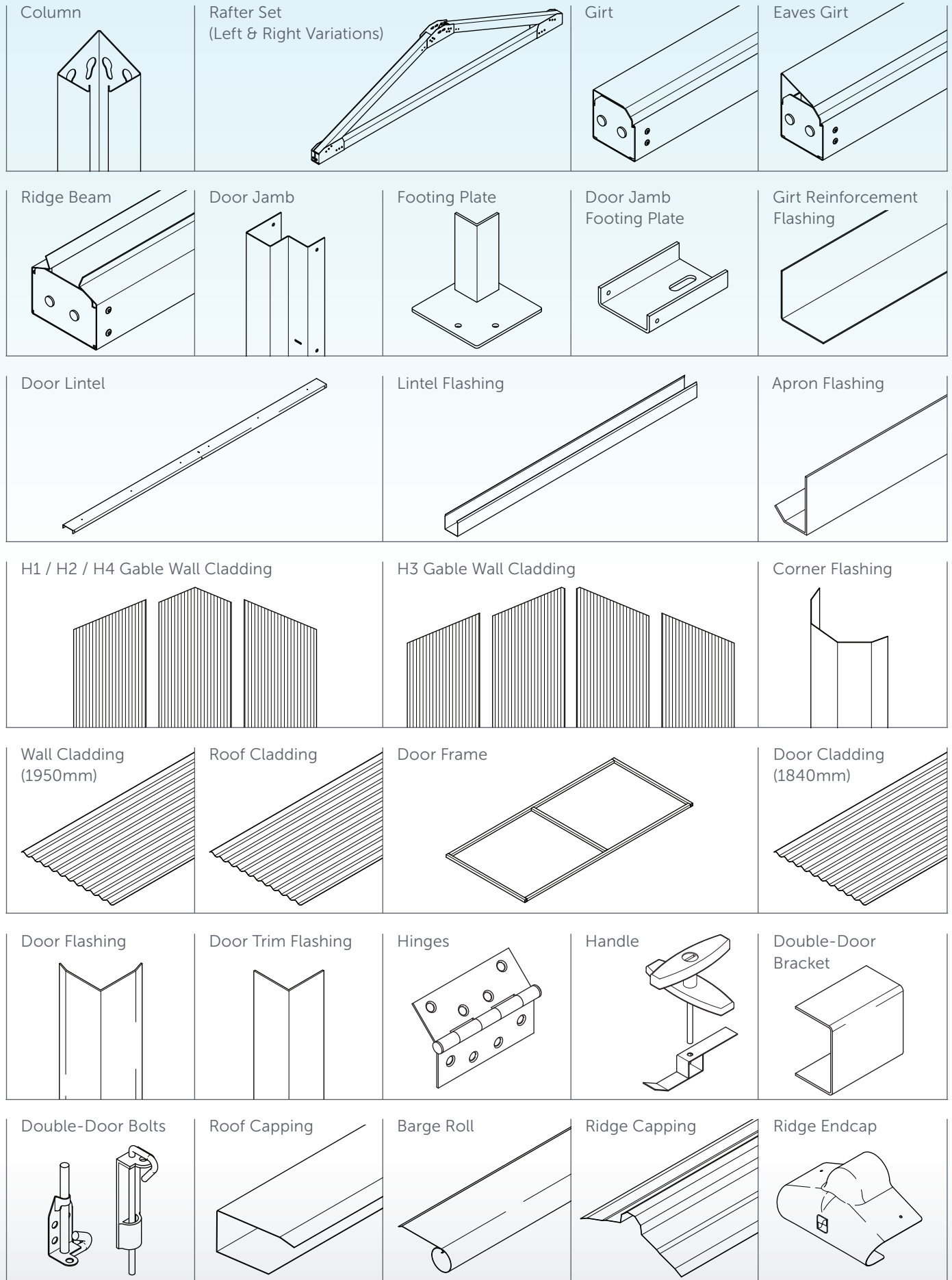
<p>Safety Glasses</p> 	<p>Safety Gloves</p> 	<p>Ladders</p> 	<p>Measuring Tape</p> 	<p>Spirit Level</p> 	<p>String Line</p> 
<p>Marker</p> 	<p>Work-Horse</p> 	<p>Rubber Mallet</p> 	<p>Power Drill</p> 	<p>Hex-Head Adaptor</p> 	<p>Phillips Head Adaptor</p> 
<p>Drill Bits (Assorted)</p> 	<p>Tin-Snips</p> 	<p>Rivet Gun</p> 	<p>Caulking Gun</p> 	<p>Silicone</p> 	<p>Socket Set</p> 

HANDI-HERITAGE SHED

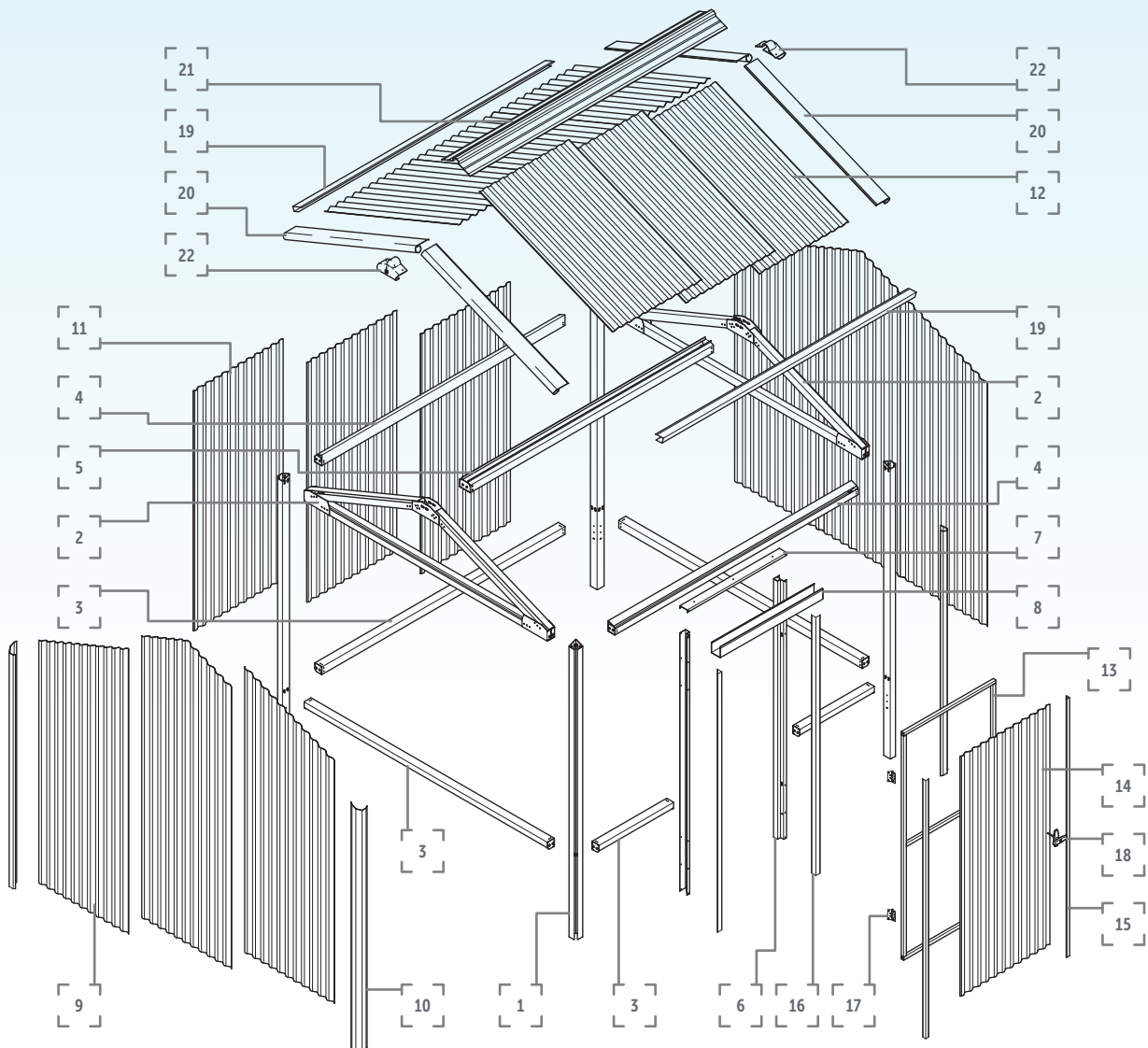
INSTALLATION GUIDE: HANDI-HERITAGE GARDEN SHED

HANDI-HERITAGE GARDEN SHED INSTALLATION GUIDE

COMPONENTS



COMPONENT DIAGRAM



1. COLUMN
2. RAFTER SET (LEFT & RIGHT VARIATION)
3. GIRT
4. EAVES GIRT
5. RIDGE BEAM
6. DOOR JAMB
7. DOOR LINTEL
8. LINTEL FLASHING
9. GABLE WALL CLADDING
10. CORNER FLASHING
11. WALL CLADDING

12. ROOF CLADDING
13. DOOR FRAME
14. DOOR CLADDING SHEET
15. DOOR FLASHING
16. DOOR TRIM FLASHING
17. HINGES
18. HANDLE COMPONENTS
19. ROOF CAPPING
20. BARGE ROLL
21. RIDGE CAPPING
22. RIDGE ENDCAP

LAYOUTS & PREPARATION

COLUMN POSITIONING

If fixing the columns into the ground, mark out the footing-hole locations with stakes and check that the diagonal measurements are equal (refer to Figure 1.0 and Table 1.0). If the door positioning is known, it is best to dig the holes for the door jambs at this point, as it can be difficult to dig around the structure later in the process.

APPROX. DIAGONAL DIMENSIONS			
H1	H2	H3	H4
3306mm	3889mm	4395mm	4520mm

TABLE 1.0

DIGGING POST HOLES

Dig post holes as illustrated in Figure 1.1. Place a half brick in the bottom of the hole to ease settlement. Alternatively, if fixing to an existing concrete slab a bolted footing bracket is available. (Refer to section 'Securing Columns')

CONCRETE SLAB PREPARATION

The extents of concrete slabs should align with the outside of shed columns. Table 1.1 provides the approx. concrete slab dimensions required for each shed size.

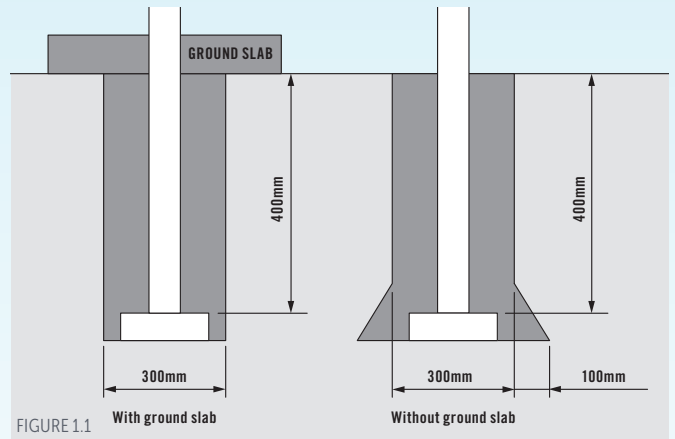


FIGURE 1.1

APPROX. CONCRETE SLAB DIMENSIONS			
H1	H2	H3	H4
2403 x 2403mm	3173 x 2403mm	3173 x 3173mm	3933 x 2403mm

TABLE 1.1

Note: Always fasten footing brackets to the concrete slab, or cement columns in-place, as the last step in the shed construction process.

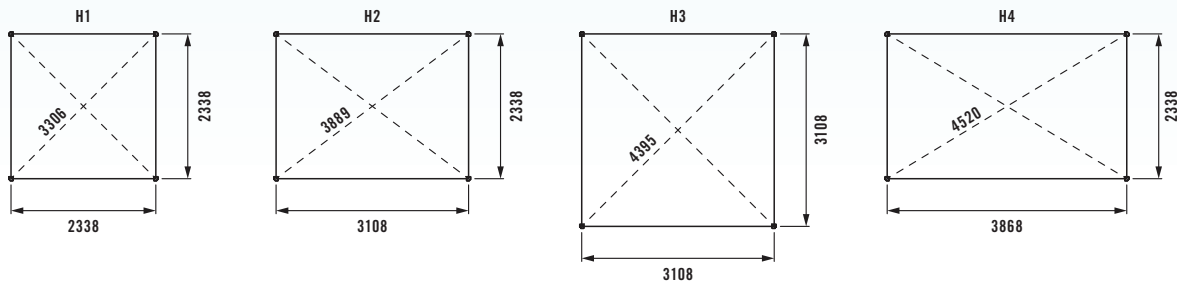


FIGURE 1.0

GABLE END WALL CONSTRUCTION (NO DOOR)

Note: If the shed is going onto concrete the columns & jambs must be cut back to the correct length. Refer to the marking on the members to identify the cut location (Figure 2.0).

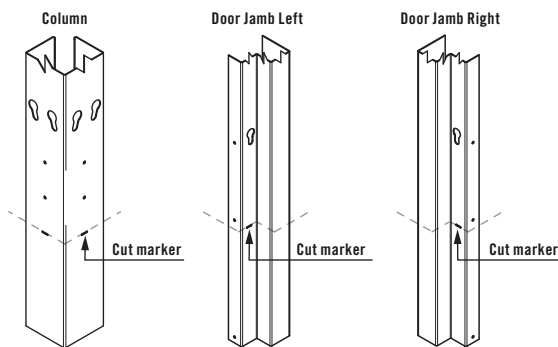


FIGURE 2.0

Layout all wall structural components and ensure the correct orientation (Figure 2.1).

Note: All open faces must be facing up and in the correct direction. This will be the outside of the wall.

SLOT-&-LOCK ASSEMBLY DETAILS

All Handi-Heritage Shed members assemble using a slot-&-lock keyway system. Rafters, girts, and ridge members all feature step-rivets that are designed to insert within keyways and lock within the keyseat (Figure 2.2). A rubber mallet may be required to prompt the step-rivets into the keyseat.

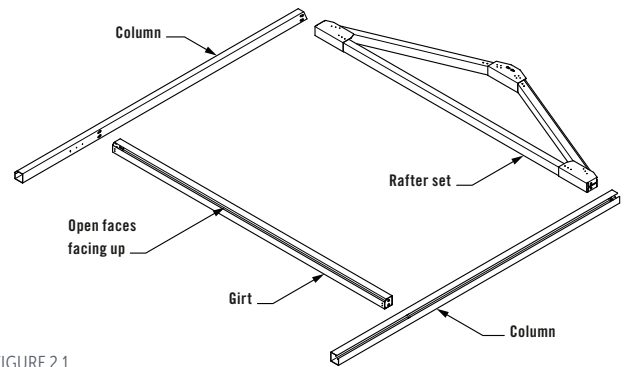


FIGURE 2.1

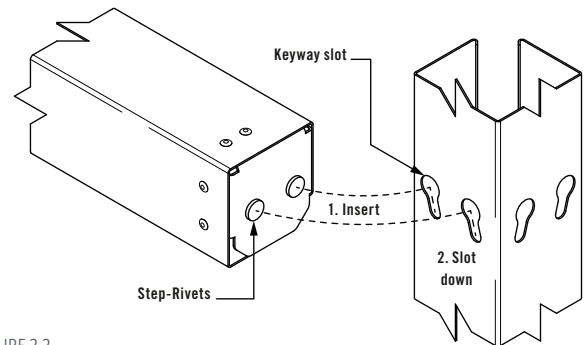


FIGURE 2.2

GABLE END FRAME ASSEMBLY

Begin gable end framework assembly by fitting columns to rafter sets using the slot-&-lock details (Figure 2.3). Assemble gable end girts to columns using the slot-&-lock keyways provided (Figure 2.2).

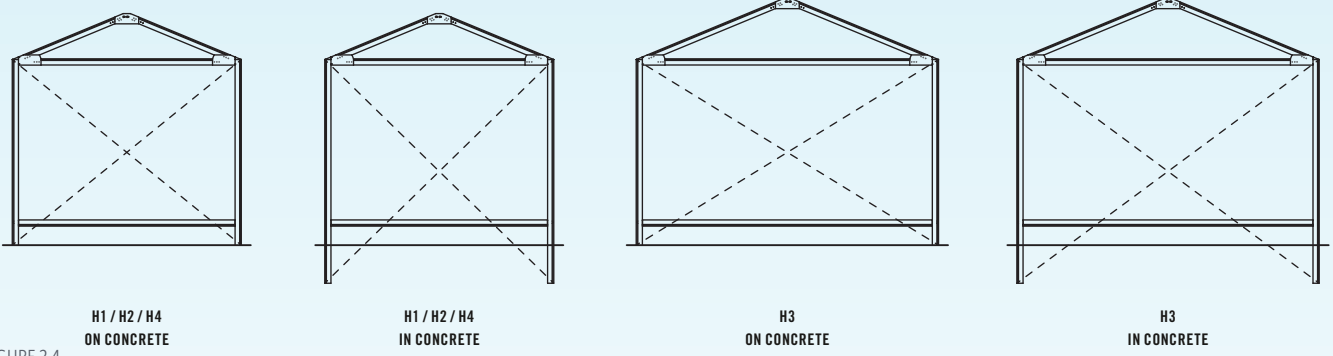


FIGURE 2.4

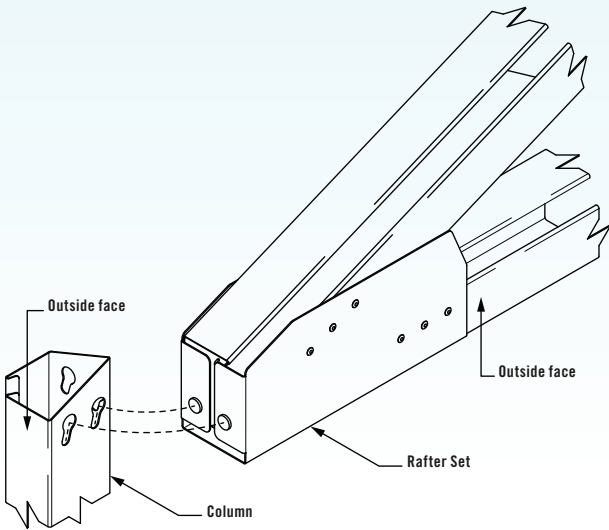


FIGURE 2.3

Ensure the framework is square by checking the diagonal measurements from the eaves to the opposing end of the column (Figure 2.4).

GABLE END CLADDING

Note: If installing a gable end window please refer to the 'Window Installation' section at the end of this document before cladding installation.

Gable end wall cladding is provided pre-cut to the pitch of the rafters. Layout pre-cut wall cladding atop framework. To centre the sheets, align the pre-cut angled edges of the cladding with the rafters (Figure 2.5 & 2.6). Ensure the bottom edge of the cladding is level with the intended ground level (Figure 2.7). NOTE: String-line the intended ground level for assistance.

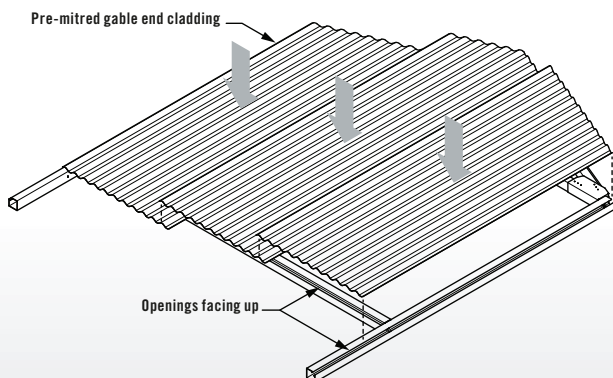


FIGURE 2.5

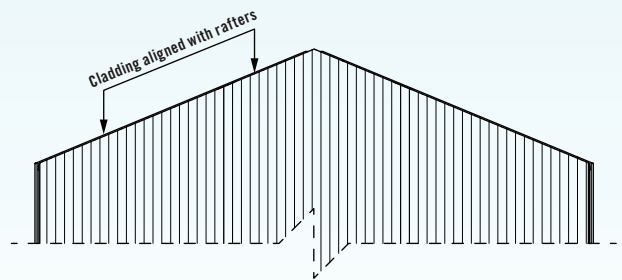


FIGURE 2.6

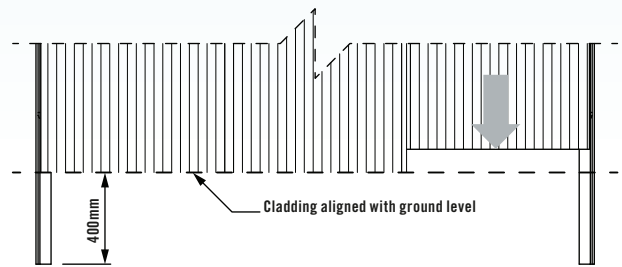


FIGURE 2.7

Fix wall cladding in-place using coloured 12x35mm self-drilling screws through to the framework. Fix cladding to the rafters with screws through every second pan of the cladding profile and approx. 30mm from the edge of the cladding (Figure 2.8).

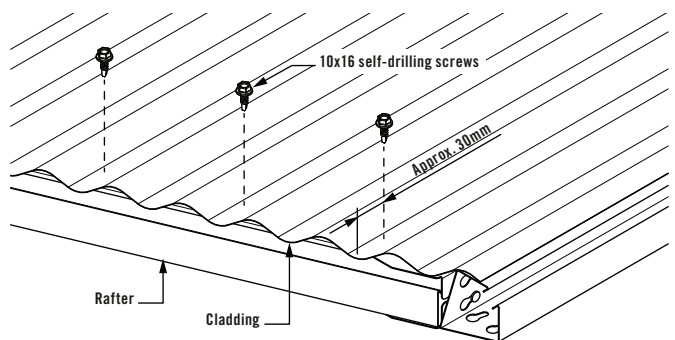


FIGURE 2.8

Use a string line along the outside face of the wall cladding to locate the lower girt and maintain an even and horizontal placement of screws through every second pan of the cladding profile (Figure 2.9).

The outside wall sheets must also be secured to the columns using 12x45mm self-drilling screws. Three screws are required along each column (Figure 2.10).

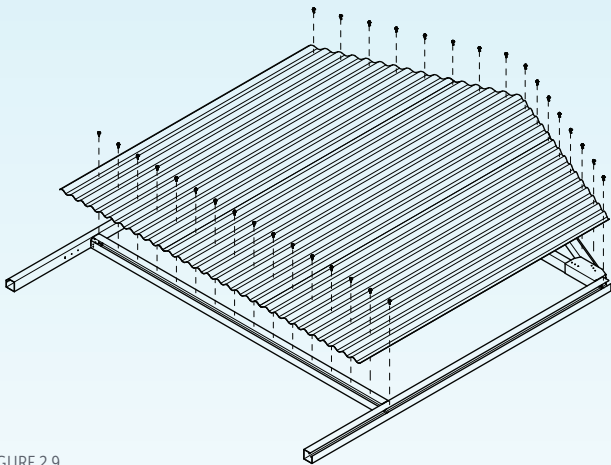


FIGURE 2.9

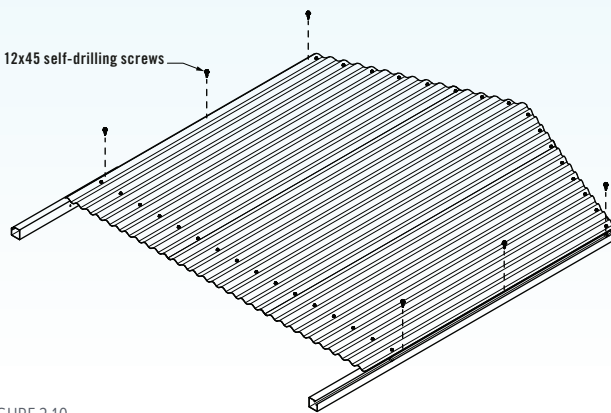


FIGURE 2.10

Secure wall sheets together in the middle using the colour-matched rivets provided (Figure 2.11).

COLUMN FOOTING

If the shed is being fixed to concrete the footing plates must now be attached. To attach footing plates the assembled gable end must be flipped-over.

GABLE END WALL CONSTRUCTION (GABLE END DOOR)

Note: If the shed is going onto concrete the columns must be cut back to the correct length. Refer to the marking on the columns to identify the cut location (Figure 2.0).

Layout all wall structural components and ensure the correct orientation (Figure 2.1).

Note: All open faces must be facing up and in the correct direction. This will be the outside of the wall.

SLOT-&-LOCK ASSEMBLY DETAILS

All Handi-Heritage Shed members assemble using a slot-&-lock keyway system.

Rafters, girts, and ridge members all feature step-rivets that are designed to insert within keyways and lock within the keyseat (Figure 2.2).

GABLE END FRAME ASSEMBLY

Begin gable end framework assembly by fitting columns to rafter sets using the slot-&-lock details (Figure 2.2 & 2.3).

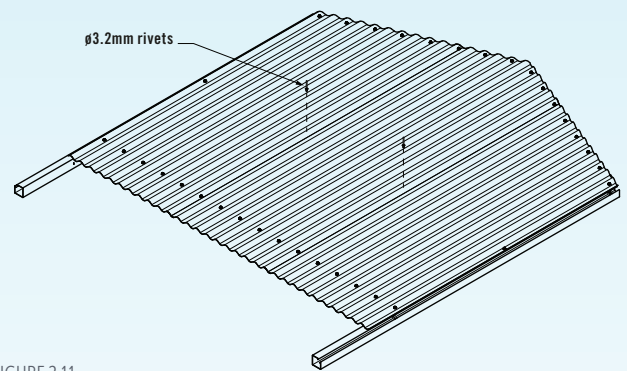


FIGURE 2.11

Note: Use flat bearers beneath the assembled gable end to ensure the exterior wall cladding does not get damaged.

Fit the footing plates to the columns using four 12x35mm self-drilling screws through the pilot holes provided (Figure 2.12).

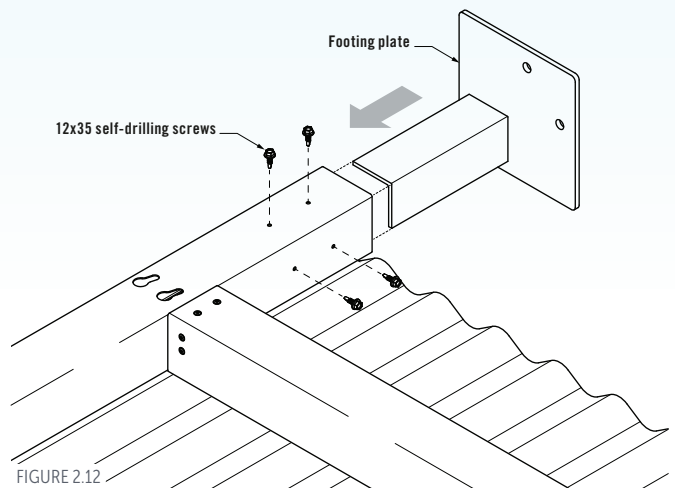


FIGURE 2.12

3mm pilot holes can be created in the footing plate upright to make screw fixing easier.

Repeat this process for remaining gable end wall.

DOOR JAMB INSTALLATION

Double Door lintels are provided with each kit and will need to be cut-back for use with single doors. Cut-back door lintels at the rectangular notch to achieve the required length of 930mm for a single door.

Install the door lintel using 12x35mm self-drilling screws through the pilot holes provided. Use the following table to determine how far in the lintel must be spaced from the inside face of the columns. (Figure 3.0 & Table 3.0)

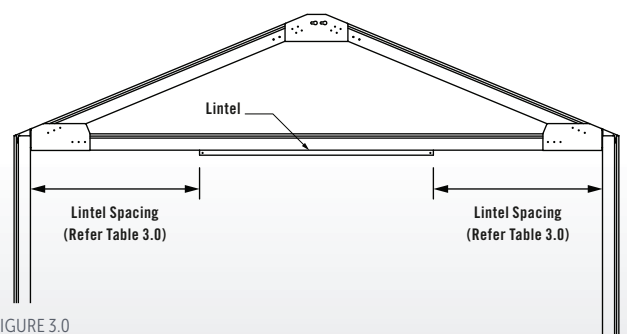


FIGURE 3.0

LINTEL SPACING (SINGLE DOOR)				
	H1	H2	H3	H4
SINGLE DOOR	672mm	672mm	768mm & 1345mm	672mm
DOUBLE DOOR	N/A	N/A	620mm	N/A

TABLE 3.0

Note: The door lintel must be positioned centrally beneath the truss member (Figure 3.1).

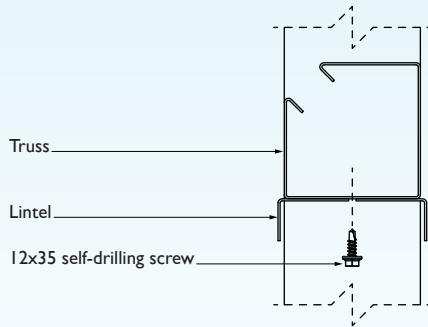


FIGURE 3.1

Install door jambs to the lintel using 12x35mm self-drilling screws through the pilot holes provided (Figure 3.2).

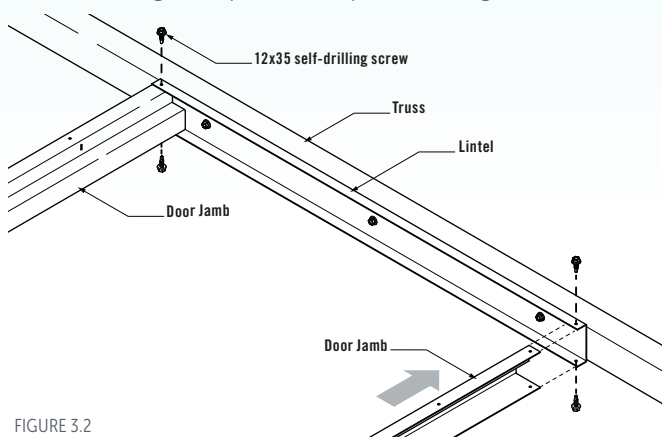


FIGURE 3.2

Full width lower girts have been provided for both gable ends. One lower girt will need to be cut back to create two girts to fit between column & jamb (Figure 3.3). Ensure the girts have a slot-&-lock endcap remaining at each one end. Table 3.1 notes the girt cut-back lengths required for each shed size.

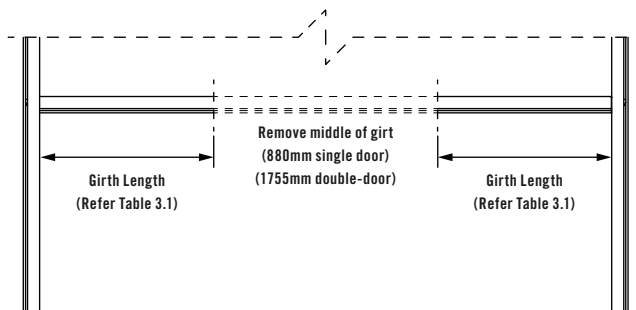


FIGURE 3.3

LOWER GIRTS ADJACENT DOOR				
	H1	H2	H3	H4
SINGLE DOOR	696mm	696mm	792mm & 1369mm	696mm
DOUBLE DOOR	N/A	N/A	644mm	N/A

TABLE 3.1

Door(s) may be placed anywhere along the gable wall at the discretion of the installer ensuring the jambs are spaced no closer than approx. 100mm in from the outside of column.

To allow for correct jamb spacing a gap of 880mm must be removed from the girt for single doors and 1755mm for H3 double-doors.

Fit gable end door girts between the columns and door jambs using the slot-&-lock keyways provided at the column (Figure 3.4 & 3.5). Cut-back girts will require fixing to door jambs using 12x35 self-drilling screws through door jamb pilot holes.

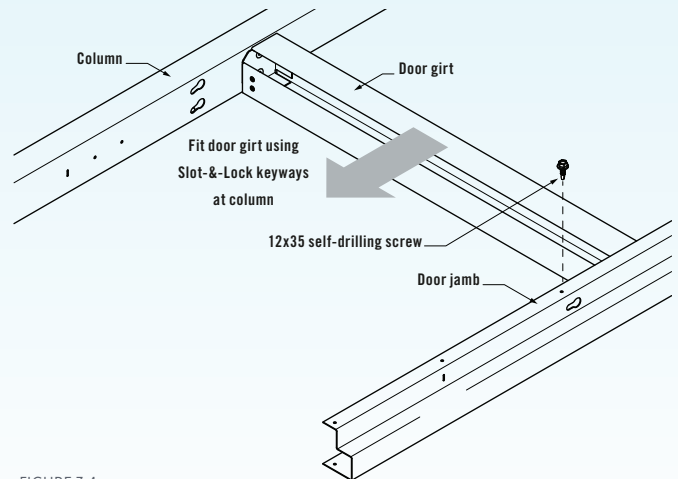


FIGURE 3.4

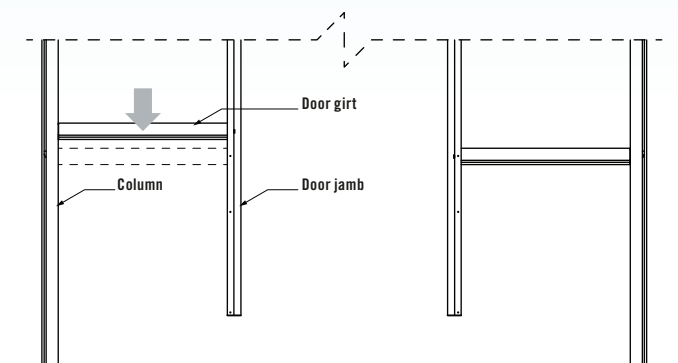


FIGURE 3.5

Ensure the framework is square by checking the diagonal measurements from the eaves to the opposing end of the column (Figure 2.4).

GABLE END CLADDING

Note: If installing a Stratco gable end window please refer to the 'Window Installation' section at the end of this document before continuing cladding installation.

Gable end wall cladding is provided pre-cut to the pitch of the rafters. Layout pre-cut wall cladding atop framework. To centre the sheets, align the pre-cut angled edges of the cladding with the rafters (Figure 2.5 & 2.6). Ensure the bottom edge of the cladding is level with the intended ground level (Figure 2.7).

Note: String-line the intended ground level for assistance.

When including a gable end door the wall sheets must be modified to suit the door positioning. Lay the first sheet in position and mark the door jamb and lintel position on the remaining wall sheets. Make sure when marking out that when cut, the sheet will fit within the door jamb and fit around the lintel (Figure 3.6).

HANDI-HERITAGE GARDEN SHED INSTALLATION GUIDE

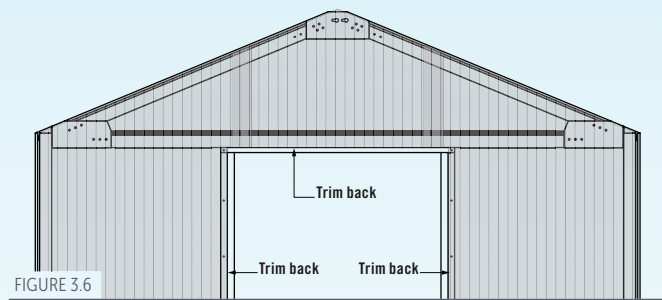


FIGURE 3.6

A rectangular notch must be cut into the sheet to fit around the door lintel (Figure 3.7).

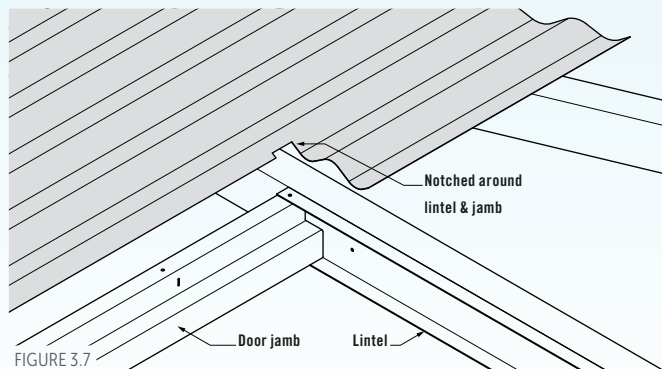


FIGURE 3.7

Fix the wall cladding in-place using coloured 12x35mm self-drilling screws through to the framework. Fix the wall cladding to the rafters with screws through every second pan of the cladding profile and approx. 30mm from the edge of the cladding (Figure 2.8). Use a string line along the outside face of the wall cladding to locate the door girts and maintain an even and horizontal placement of screws through every second pan of the cladding profile (Figure 2.9).

The door lintel flashing is to cover the door lintel and is secured through the front face using at least two 12x35 self-drilling screws (Figure 3.8). The door lintel must be notched around door jambs (Figure 3.9). Where a double-door lintel flashing is required a hole will be required to allow for the pad-bolt.

A gable door apron flashing fits between the gable wall sheets & lintel flashing, and is secured to the truss using 12x35 self-drilling screws through every second pan of the sheets through to the apron flashing and truss (Figure 3.10 & 3.11). Fix door trim flashings to door jambs using four evenly spaced colour rivets (Figure 3.11).

Once wall sheets have been installed a coloured 12x35mm self-drilling screw must be fixed through the wall sheet, door jamb, & door girt on each side of the door (Figure 3.10). The outside wall sheets must also be secured to the columns using 12x45mm self-drilling screws. Three screws are required along each column (Figure 2.9). Secure wall sheets together in the middle of the sheet lap using the colour-matched rivets (Figure 2.10).

COLUMN FOOTING

If the shed is being fixed to concrete the footing plates must now be attached. To attach footing plates the assembled gable end must be flipped-over.

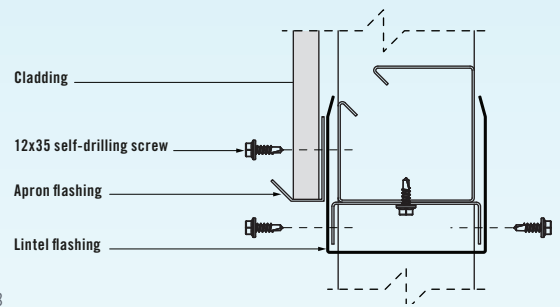


FIGURE 3.8

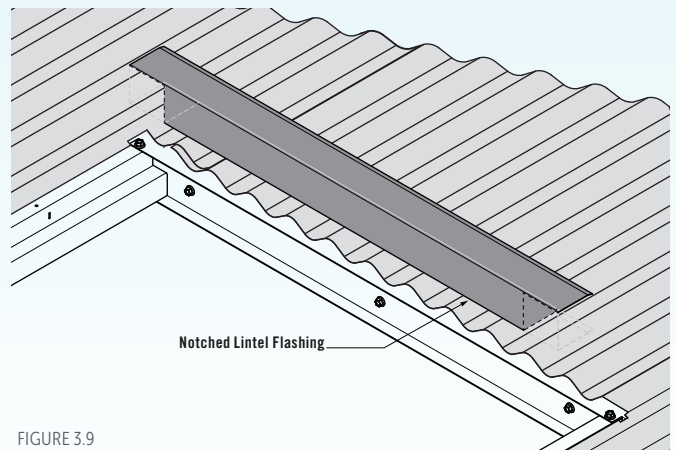


FIGURE 3.9

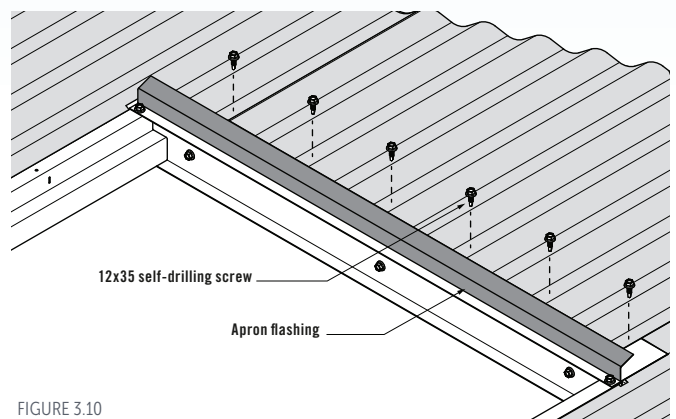


FIGURE 3.10

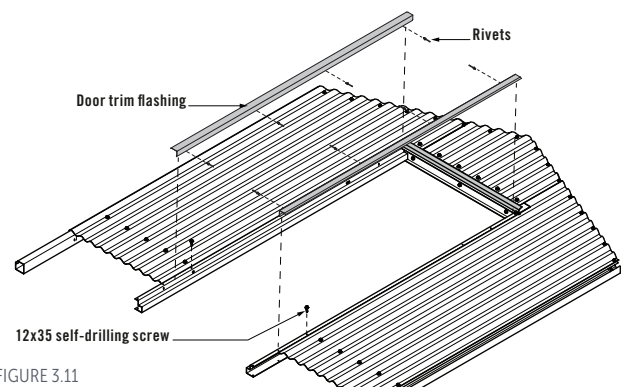


FIGURE 3.11

Note: Use flat bearers beneath the assembled gable end to ensure the exterior wall cladding does not get damaged. Fit the footing plates to the columns using four 12x35mm self-drilling screws through the pilot holes provided (Figure 2.12).

3mm pilot holes can be created in the footing plate upright to make screw fixing easier. Repeat this process for remaining gable end wall using the instructions from 'GABLE END WALL CONSTRUCTION (No Door)' section.

FRAMEWORK ERECTION

Gable end walls will need to be tilted into position. If fixing the columns into the ground carefully tilt each side panel into position and place the columns into the footing holes (Figure 4.0) (refer LAYOUTS & PREPARATION).

Temporarily brace in position and check the wall height is 1950mm to eaves. If necessary adjust the depth of the hole to achieve the correct height.

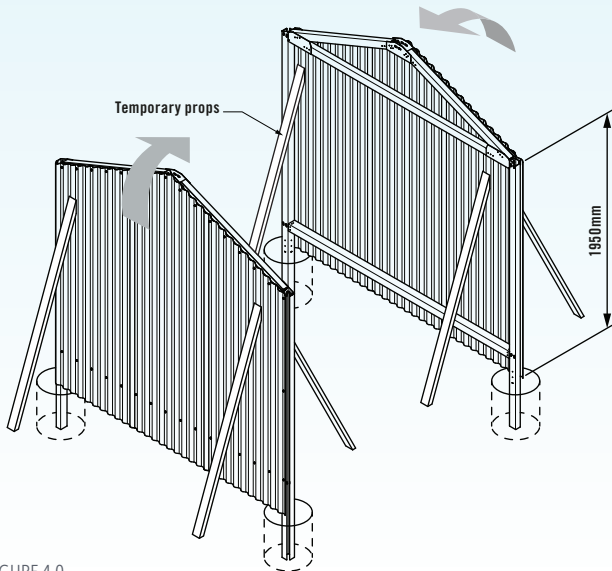


FIGURE 4.0

Connect the ridge beam between the rafter sets using the horizontally aligned slot-&-lock details (Figure 4.1 & 4.2).

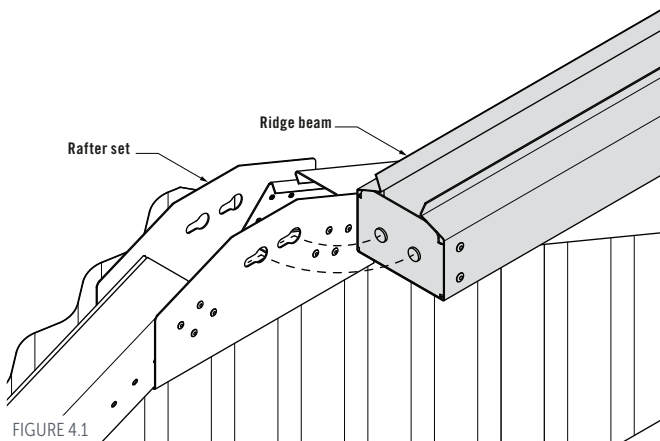


FIGURE 4.1

Connect the eaves girt to columns using slot-&-lock details (Figure 4.3). Repeat this step for remaining eaves girt.

Install the lower girt between columns using the remaining slot-&-lock keyways on the opposite side to the intended door placement (Figure 4.3). Ensure the girt opening is facing outwards and down. If the shed door is located at the gable end a second lower girt will need to be installed.

Note: All H2, H3, & H4 sheds will require lower girt reinforcement (Figure 4.4).

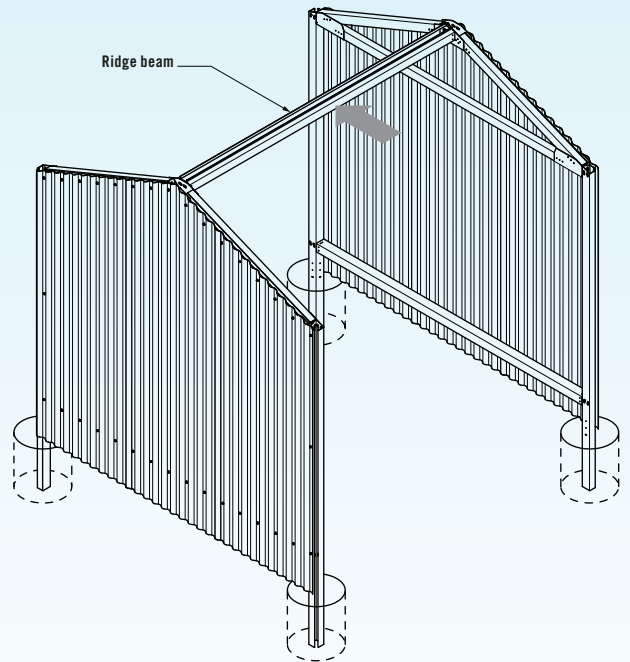


FIGURE 4.2

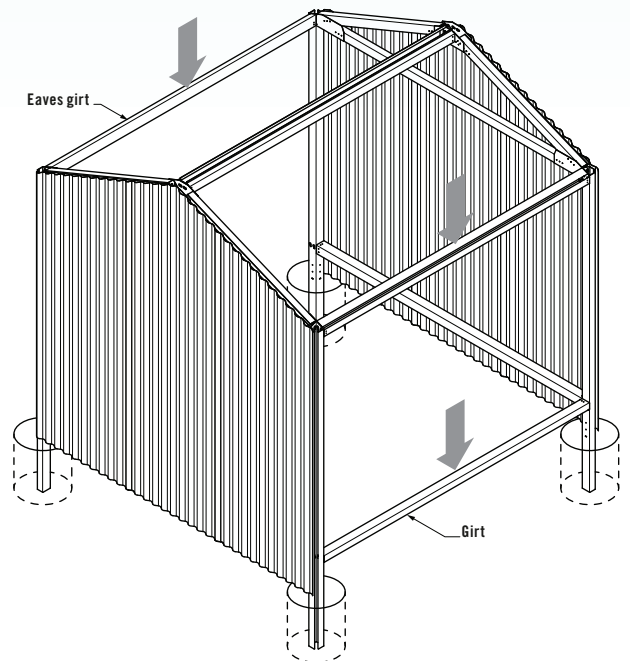


FIGURE 4.3

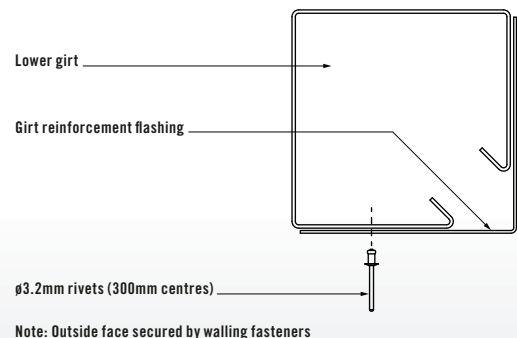


FIGURE 4.4

DOOR JAMB INSTALLATION

Double Door lintels are provided with each kit and will need to be cut-back for use with single doors. Cut-back door lintels at the rectangular notch to achieve the required length of 930mm for a single door.

Install the door lintel using 12x35mm self-drilling screws through the pilot holes provided. Use the following table to determine how far in the lintel must be spaced from the inside face of the columns (Table 4.0 & Figure 4.5)

	H1	H2 & H3	H4
SINGLE DOOR	672mm	769mm & 1346mm	769mm & 2106mm
DOUBLE DOOR	N/A	620mm	1000mm

TABLE 4.0

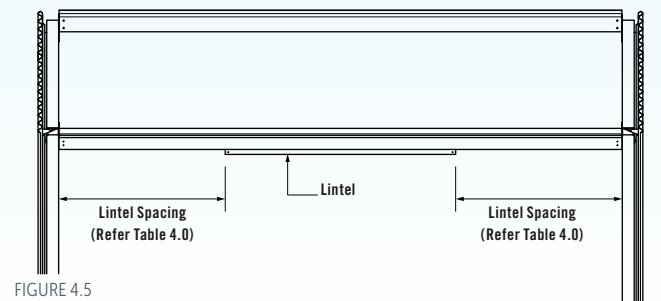


FIGURE 4.5

Note: The door lintel must be positioned centrally beneath the eave truss (Figure 3.1).

Note: Double-door jamb installation is identical to single-door installation, but instead using a longer door lintel.

Install door jambs to the lintel using 12x35mm self-drilling screws through the pilot holes provided (Figure 3.2). Full length lower girts have been provided each side. One lower girt will need to be cut back to create two girts to fit between column & jamb (Figure 4.6). Ensure the girts have a slot-&-lock endcap remaining at each one end.

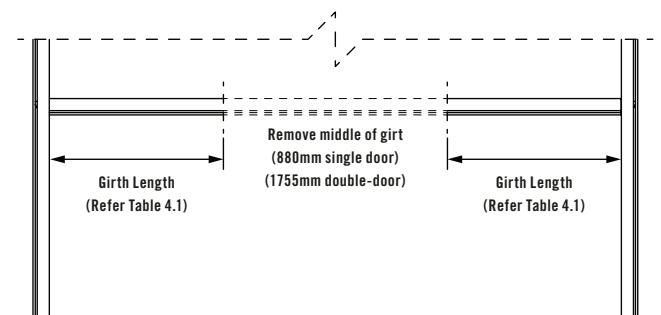


FIGURE 4.6

Table 4.1 notes the girt cut-back lengths required for each shed size.

	H1	H2 & H3	H4
SINGLE DOOR	696mm	792mm & 1369mm	793mm & 2130mm
DOUBLE DOOR	N/A	644mm	1024mm

TABLE 4.1

Door(s) may be placed anywhere along the side wall at the discretion of the installer ensuring the jambs are spaced no closer than approx. 100mm in from the outside of column. To allow for correct jamb spacing a gap of 880mm must be removed from the girt for single doors and 1755mm for H3 double-doors.

Fit gable end door girts between the columns and door jambs using the slot-&-lock keyways provided at the column (Figure 3.3 & 3.4). Cut-back girts will require fixing to door jambs using 12x35 self-drilling screws through door jamb pilot holes.

Fit door girts between the columns and door jambs using the slot-&-lock keyways provided (Figure 4.7).

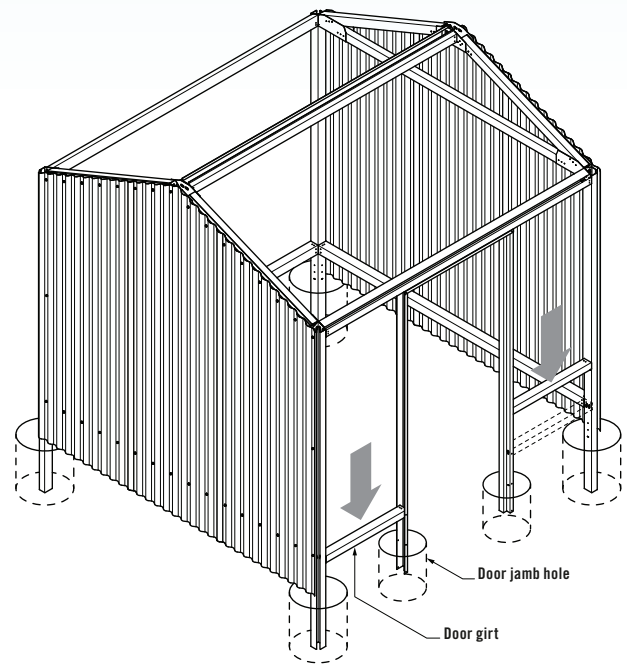


FIGURE 4.7

Check the frame is square by ensuring diagonal measurements are the same and that the columns are vertical (Figure 1.0).

DOOR ASSEMBLY & INSTALLATION

SINGLE DOOR ASSEMBLY

Pan fix the 1840mm long corrugated sheet to the door frame with coloured 10x16mm self-drilling screws (Figure 5.0).

Note: The door frame is the full width of the CGI corrugated sheet.

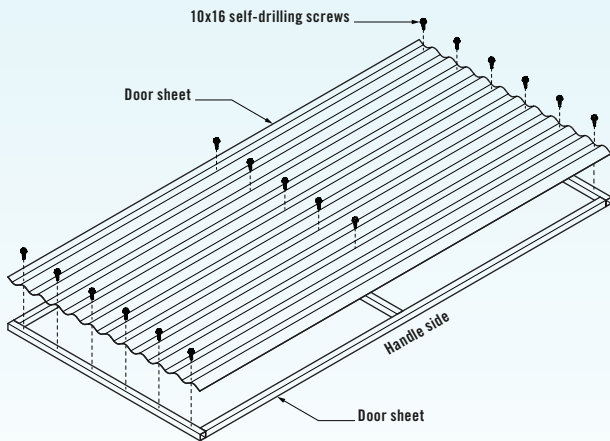


FIGURE 5.0

Cap each side of the door with the door flashings supplied. Fasten with eight rivets at 550mm centres (Figure 5.1 & 5.2).

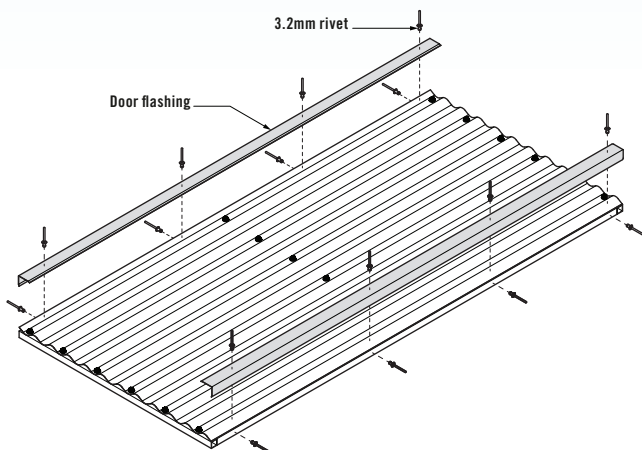


FIGURE 5.1

Drill an 11mm diameter hole directly into the crest of the corrugated sheeting and the central door frame tube approximately 75mm in from the edge of the door (Figure 5.3). Fix the door handle with two 12x45 self-drilling screws through the handle to the door frame. Slide the door tongue striker over the handle shaft and fasten (this is sometimes best left until after the door has been hung).

Fix two 100x75 butt hinges to the door through the door flashing and frame with the 10x16 wafer head screws provided (Figure 5.4).

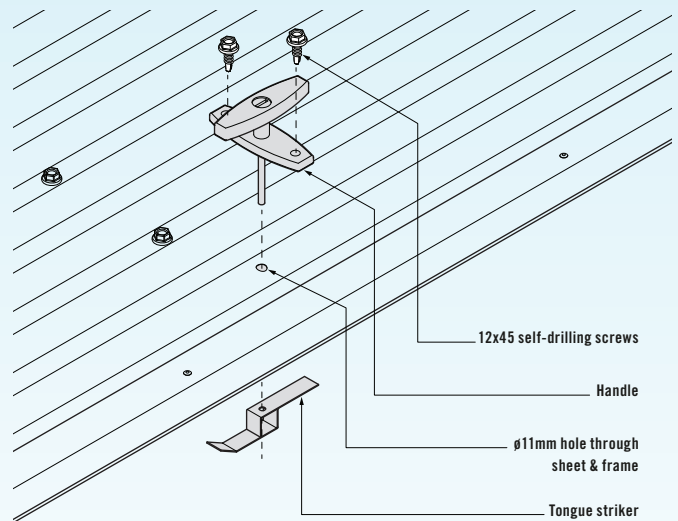


FIGURE 5.3

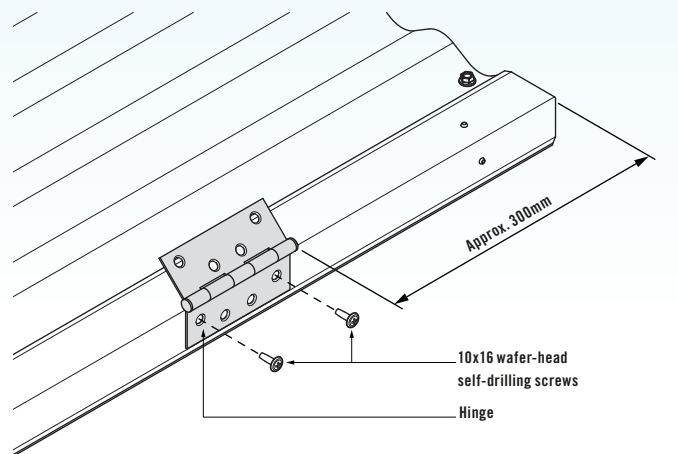


FIGURE 5.4

DOUBLE-DOOR ASSEMBLY

When installing double-doors the second door is to be assembled as a mirror image of the first, except no handle is required. Instead, before fastening the corrugated sheet, secure a double-door bracket to the middle of the door frame using two 10x16 wafer head screws (Figure 5.5).

A drop-bolt is required on the second door. Position the drop-bolt on the internal bottom corner of the second door frame. Secure using two 10x16 wafer head screws (Figure 5.6).

When the shed is fully installed and both doors are closed and square, mark out the drop bolt position and create a locating hole in the ground.

A pad-bolt must also be installed at the top of the second door. Secure the pad-bolt to the top of the door frame of the second door using two 10x16 wafer head screws (Figure 5.7).

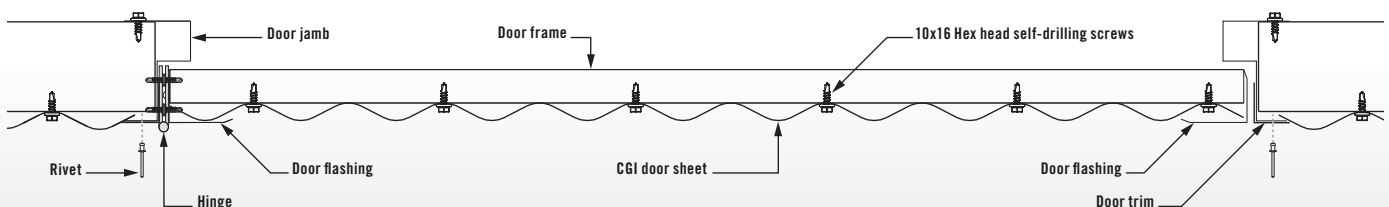


FIGURE 5.2

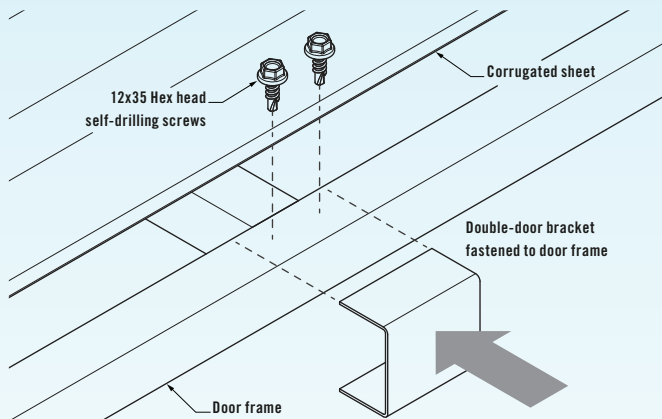


FIGURE 5.5

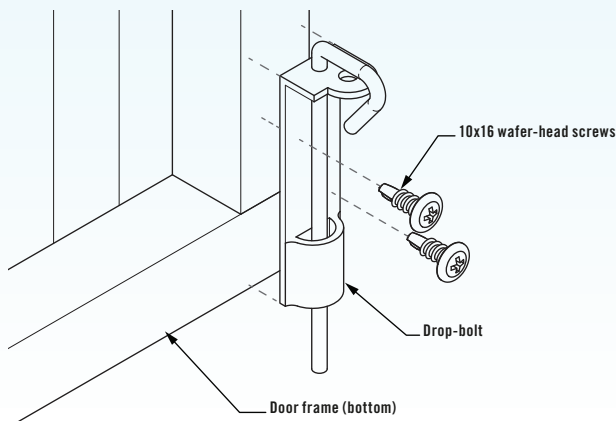


FIGURE 5.6

A hole must be drilled through the second double door bracket to fit the pad-bolt. The double door bracket must then be fastened within the lintel, lining the hole up with the pad-bolt when the door is in a closed position (Figure 5.7). Use two 10x16 self-drilling screws to secure.

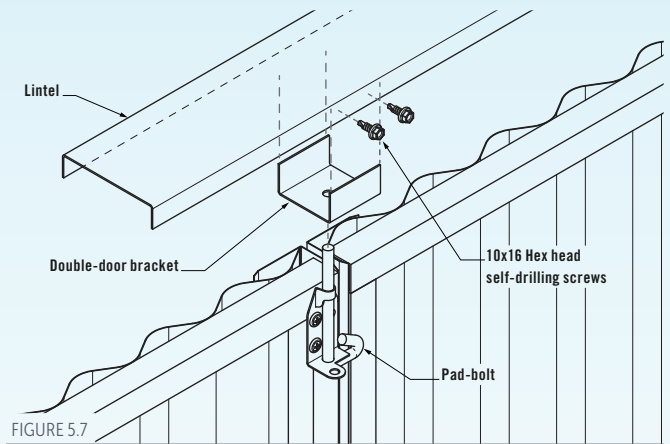


FIGURE 5.7

HANGING THE DOOR(S)

Fix the door hinges to the door jamb using 10x16 wafer head screws (Figure 5.8).

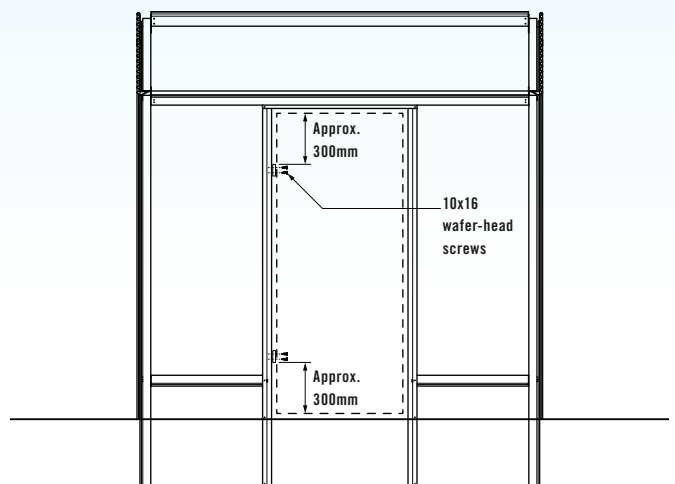


FIGURE 5.8

CLADDING INSTALLATION

Note: If installing a Stratco window please refer to the 'Window Installation' section at the end of this document before continuing cladding installation.

WALL CLADDING INSTALLATION

Begin the installation of the corrugated wall cladding along the side wall opposing the door. Install cladding from one gable end and work toward the other gable end wall, making sure the sheets are lapping as per the shed layout diagrams (refer 'Layouts & Preparation'). To avoid cutting the sheets, the sheets can be lapped several times.

Fasten the wall cladding to the eaves girt and lower girt using coloured 12x35mm self-drilling screws. Use a string line along the outside face of the wall cladding to locate the lower girt and to maintain an even and horizontal placement of screws through every second pan of the cladding profile (Figure 6.0).

The outside wall sheets must also be secured to the columns using 12x45mm self-drilling screws. Three screws are required along each column (Figure 6.1).

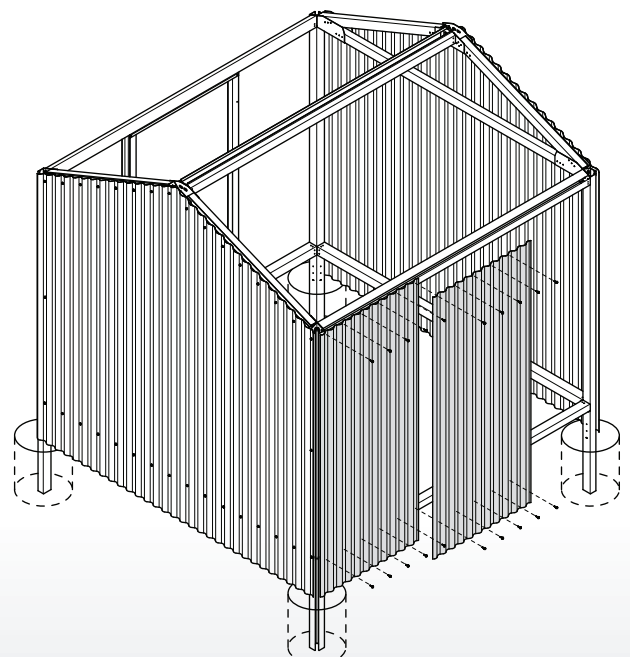


FIGURE 6.0

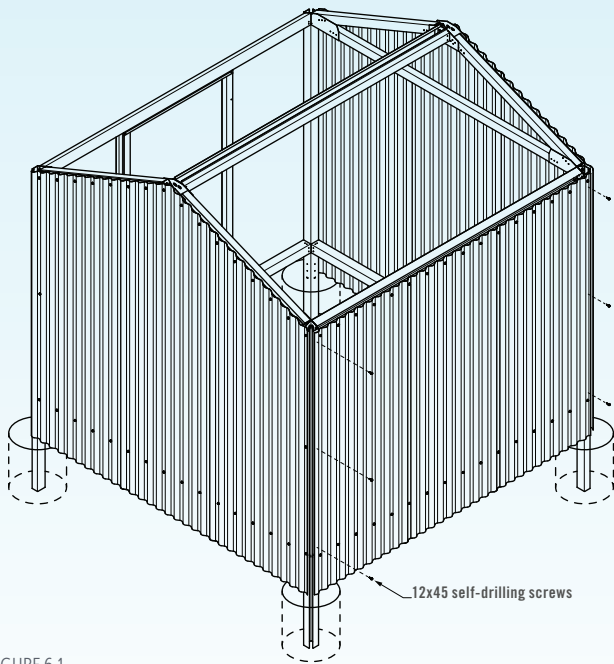


FIGURE 6.1

Repeat this process for the remaining side wall.

Wall cladding sheets adjacent the door will need to be notched as to fit within the door jamb and around the door lintel (Figure 6.2). The width of the cladding may also require cutting back depending on the size of the shed.

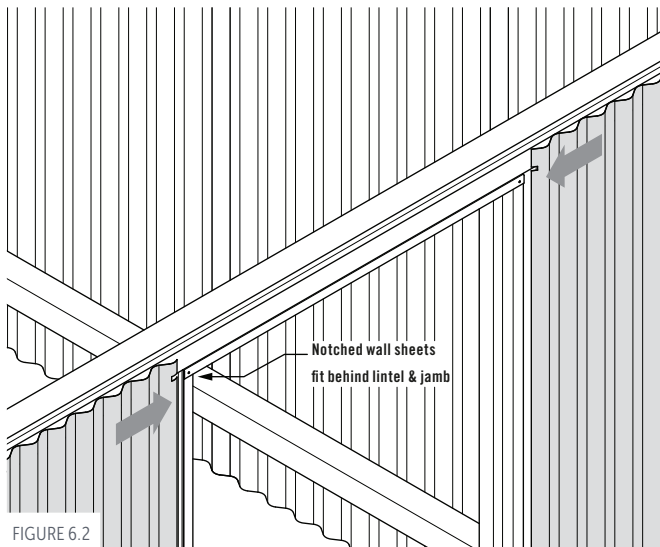


FIGURE 6.2

Once wall sheets have been installed a coloured 10x16mm self-drilling screw must be fixed through the wall sheet, door jamb, & door girt on each side of the door (Figure 6.3). Finally, secure wall sheets together in the middle using the colour-matched rivets provided.

ROOF CLADDING INSTALLATION

Fix the roof sheets starting from one end of the shed. Roof sheet orientation will align with side wall sheet orientation. Ensure the first sheet is square with the frame and hard against the ridge beam (Figure 6.4 & 6.5).

Roof sheets must always overlap to prevent any water ingress (Figure 6.6).

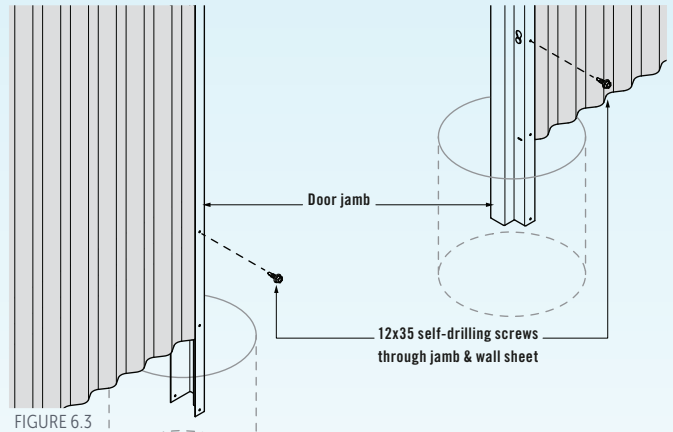


FIGURE 6.3

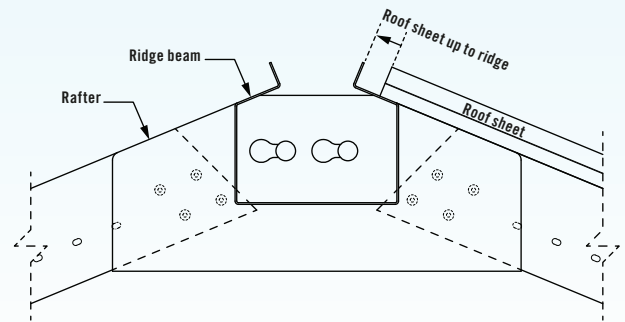


FIGURE 6.4

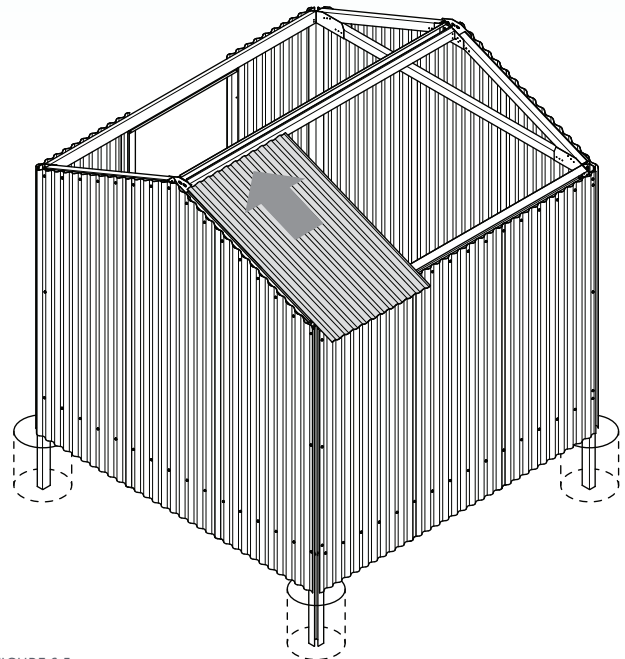


FIGURE 6.5

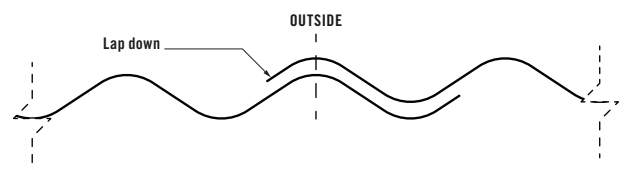


FIGURE 6.6

Roof cladding is fixed to the ridge beam using 12x35mm self-drilling screws (with neoprene washers) through every second pan (Figure 6.7).

Fasten the roof cladding to the eaves girt using 12x35mm self-drilling screws (with neoprene washers) through every second crest (Figure 6.8).

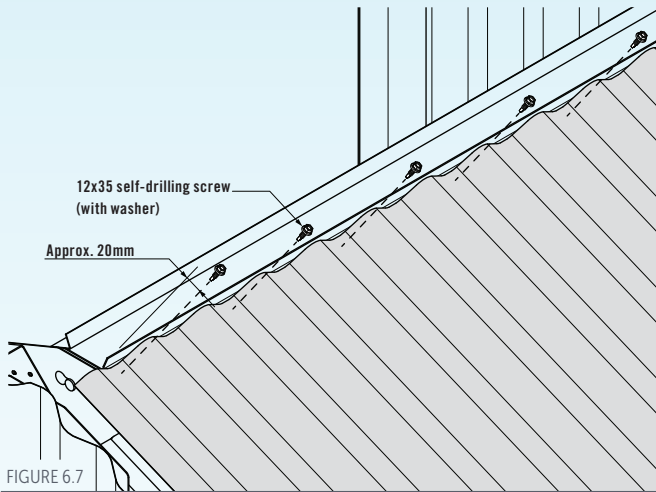


FIGURE 6.7

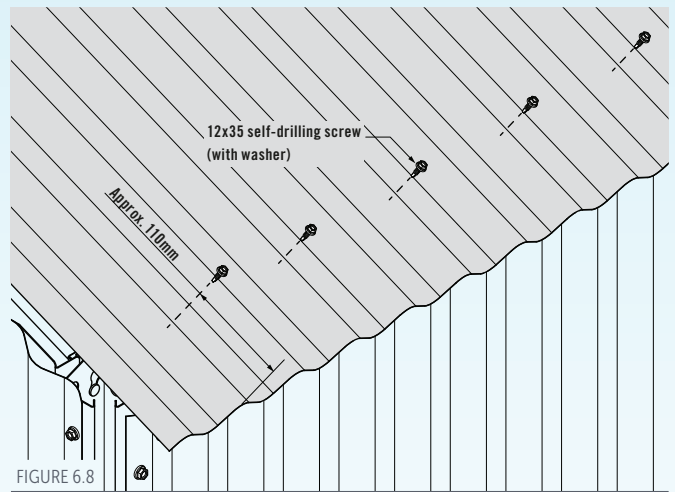


FIGURE 6.8

FLASHING & CAPPING INSTALLATION

ROOF CAPPING

If a gutter is not being attached, fit the roof capping provided over the ends of the roofing sheets and secure along the length with colour rivets at 300mm centres (Figure 7.0 & 7.1).

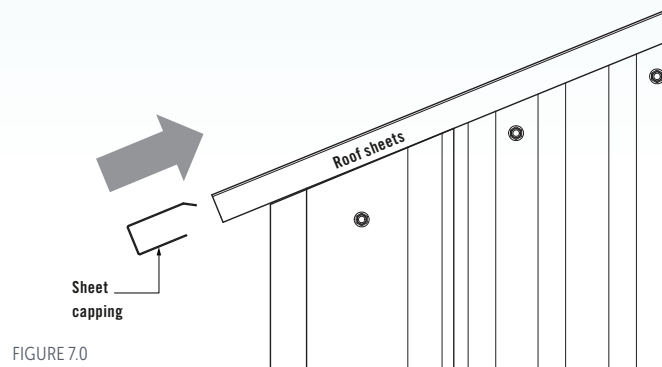


FIGURE 7.0

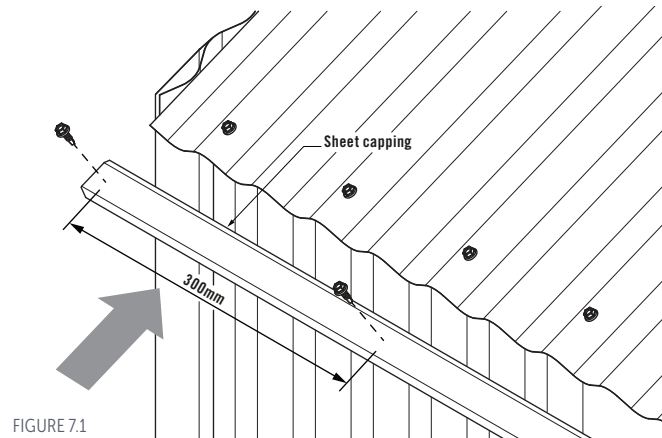


FIGURE 7.1

CORNER FLASHING

Corner flashings are to be trimmed at one end to suit the rafter angle at each corner. Once trimmed, position the corner flashings against the corrugated sheeting in each corner and fix to the wall sheets using 12x35 self-drilling screws at 600mm centres (Figure 7.2 & 7.3).

DOOR FLASHING

Door trim flashings are to be positioned on the outside corners of the door jambs and riveted every 600mm (Figure 5.2).

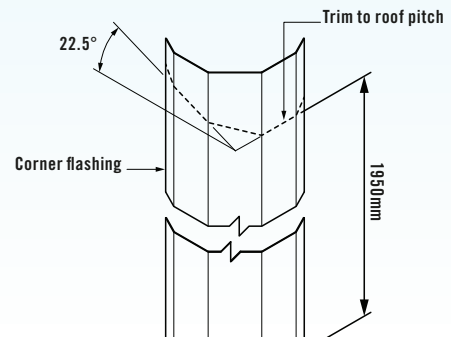


FIGURE 7.2

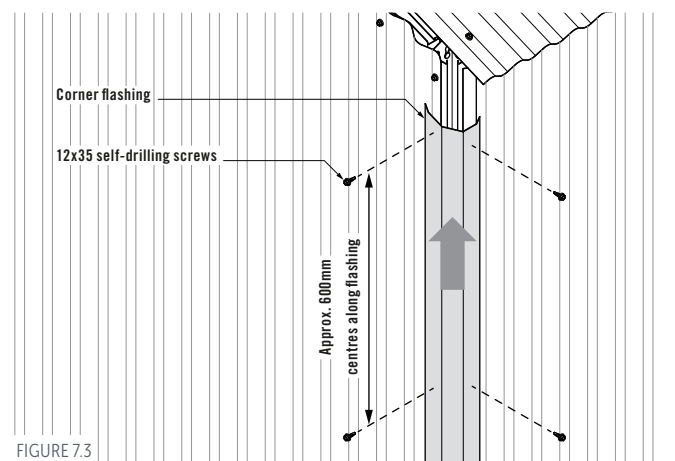


FIGURE 7.3

The door lintel flashing is to cover the door lintel and is secured through the front face using at least two 12x35 self-drilling screws (Figure 7.4 & 7.5). The door lintel must be notched around door jambs (Figure 7.5). Where a double-door lintel flashing is required a hole will be required to allow for the pad-bolt.

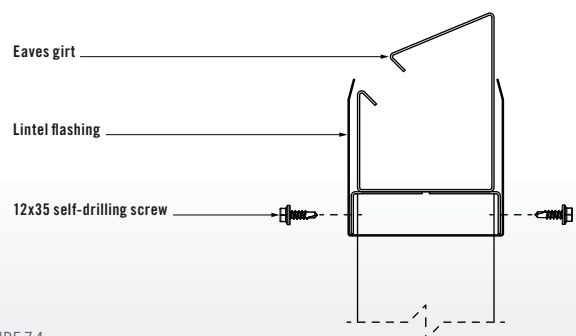


FIGURE 7.4

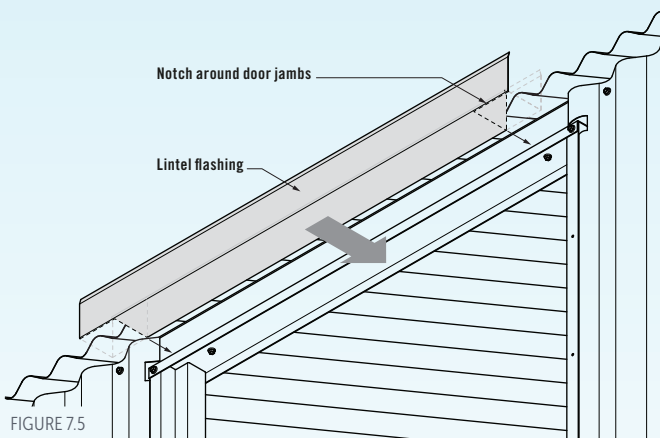


FIGURE 7.5

BARGE ROLL & RIDGE CAPPING

Barge rolls must be fixed through the roof sheets to the rafter using 12x35 self-drilling screws (with neoprene washers) at 600mm centres (Figure 7.6).

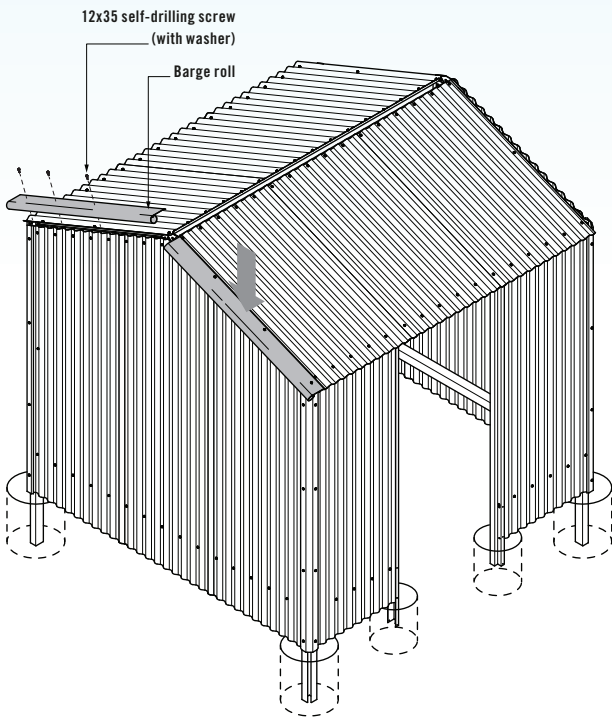


FIGURE 7.6

Notch the end of the barge if a gutter has been fixed (Figure 7.7). Cap each length of barge with a pre-painted post cap.

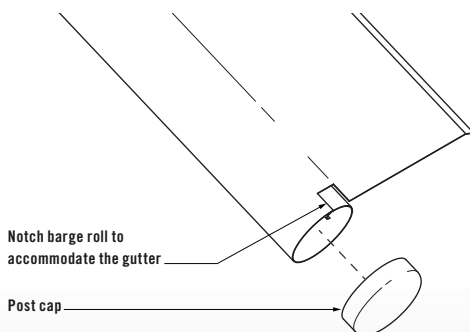


FIGURE 7.7

Note: When fixing the barge roll do not over-fasten as the barge will ripple.

Fit the ridge capping centrally along the roof and over barge rolls. Fasten the ridge capping with 12x35 self-drilling screws through every fourth crest of the roof sheeting to the ridge beam (Figure 7.8 & 7.9).

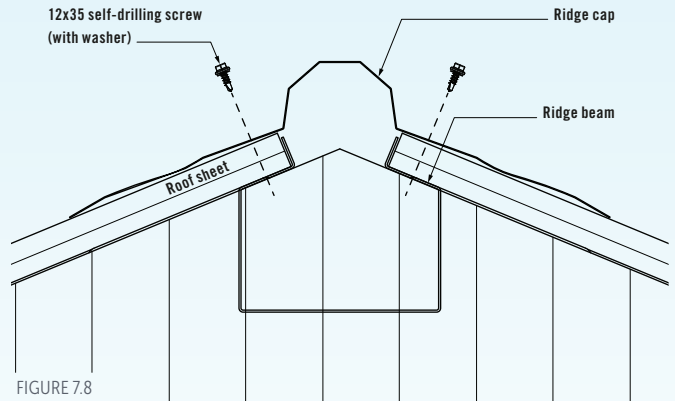


FIGURE 7.8

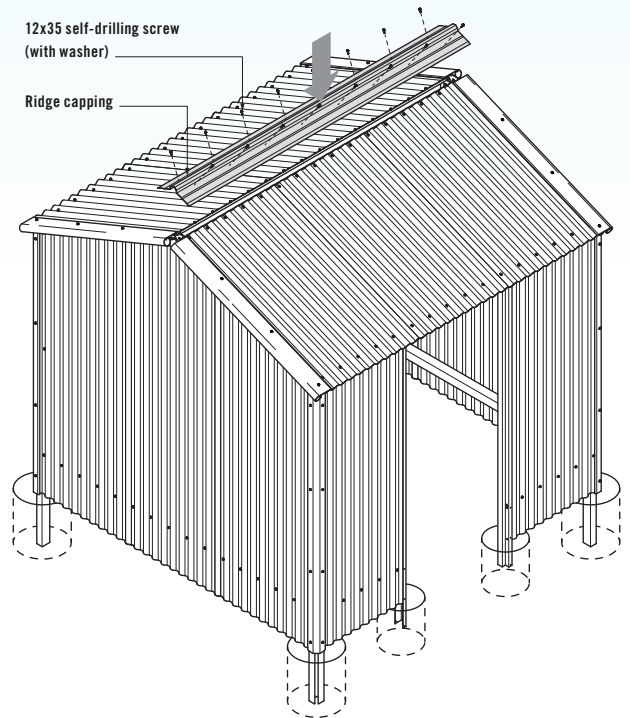


FIGURE 7.9

The ridge endcap can now fit over the barge roll and ridge capping junction.

Hold the endcap firmly against the barge rolls and ridge capping and secure using two 12x35mm self-drilling screws (with neoprene washer) (Figure 7.10).

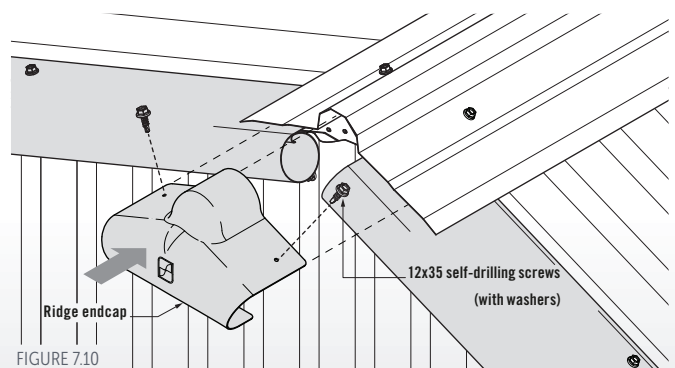


FIGURE 7.10

SECURING SHED TO CONCRETE

When the unit is square and level in its finalised position secure all footing plates to the ground using masonry anchors (Figure 8.0).

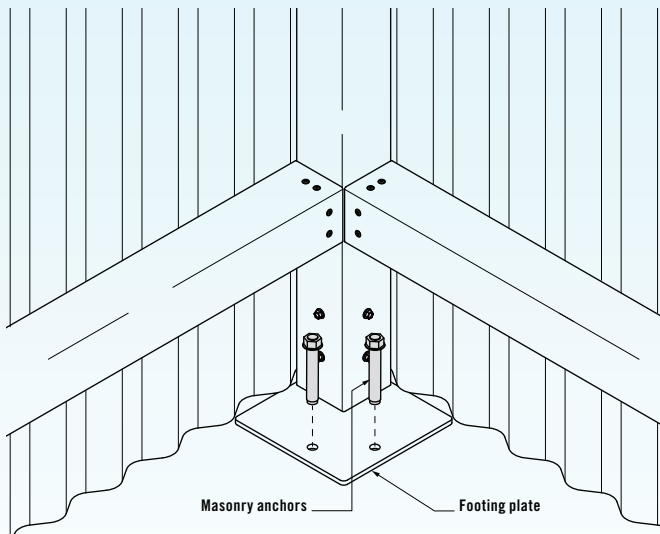


FIGURE 8.0

Door jambs can be secured to the concrete slab using the door jamb footings provided. Fix the door jamb footings within the jambs using two 12x35mm self-drilling screws per footing (Figure 8.1). Fix the jamb footings to the slab using one masonry anchor per footing (Figure 8.1).

Note: Concrete is to have a minimum strength of 20MPa.

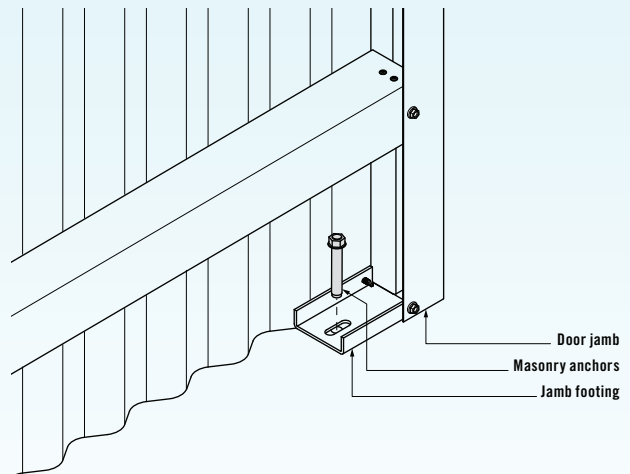


FIGURE 8.1

GUTTER INSTALLATION

GUTTER ASSEMBLY

Note: The gutters supplied may need to be trimmed to length.

The length of the gutter should equal the distance along the side wall, from the outside face of each gable end. Rivet a left and right-hand stop end to each length of gutter and seal with silicone (Figure 9.0).

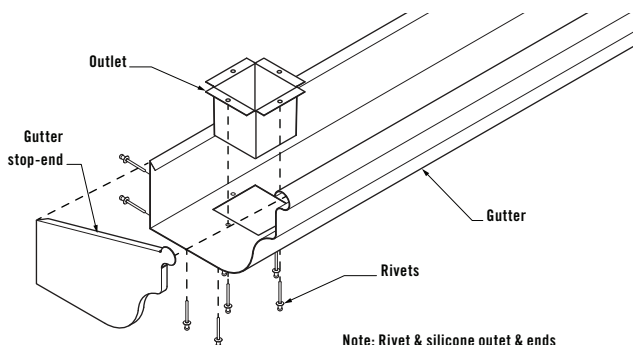


FIGURE 9.0

Cut a hole for the downpipe outlet at the end of the gutter where the downpipe is to be positioned (Figure 9.0). Secure the outlet into position with four rivets and seal with silicone.

GUTTER INSTALLATION

Crest fix gutter brackets 20mm from the top of the wall sheets at 1200mm centres using 10x16 self-drilling screws (Figure 9.1). Be sure to include a slight fall along the gutter towards the downpipe end as this will encourage drainage. Once the gutter brackets have been installed roll the gutter bead onto the gutter brackets and clip the back of the gutter into position.

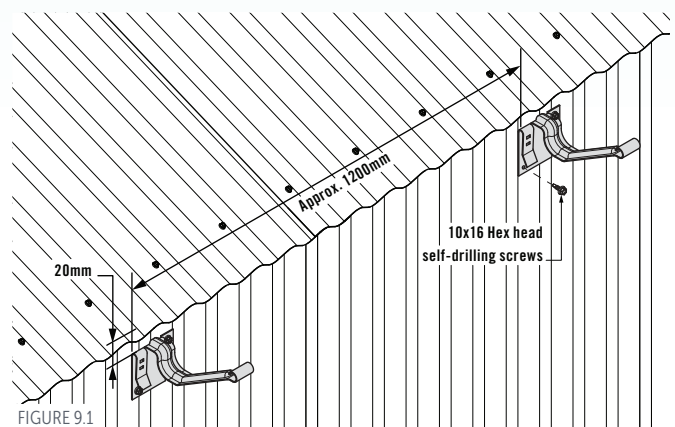


FIGURE 9.1

DOWNPIPE INSTALLATION

Fit the downpipe to the pre-installed downpipe outlet using rivets. Fix against the wall sheets using downpipe straps and rivets (Figure 9.2).

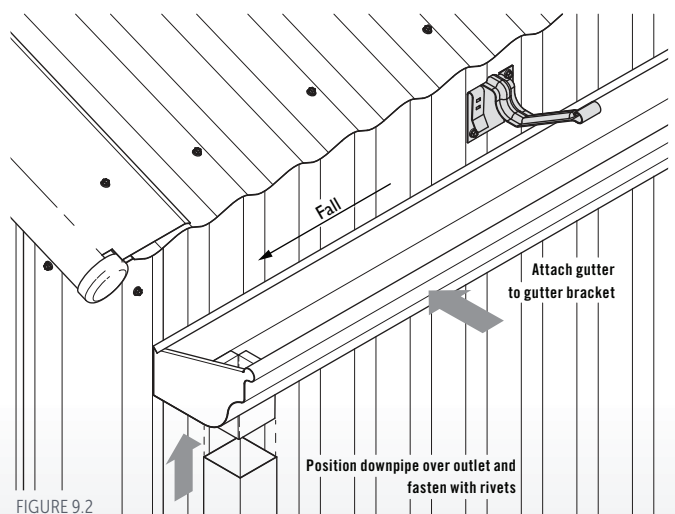


FIGURE 9.2

WINDOW INSTALLATION

Note: An extra full length girt is provided in each kit for supporting a window. This girt must be secured in place where required.

The extra supporting girt is supplied at a length to suit window installation on any of the Heritage Garden Shed walls. The girt must be cut back at the pre-determined marking if the girt is too long for the designated wall (Figure 10.0). Fix the spare girt endcap to end of the girt using six rivets (Figure 10.0).

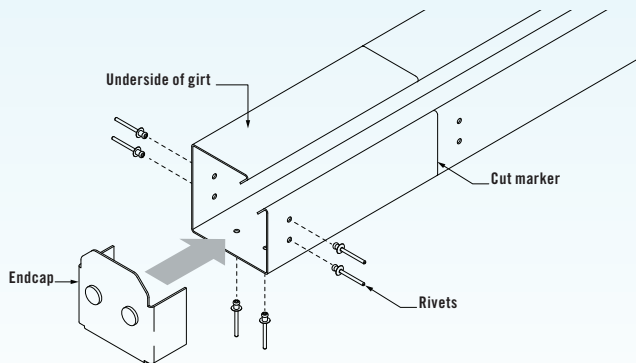


FIGURE 10.0

Fit the girt between columns using the spare slot-&-lock keyways. The girt must be orientated as per the lower girt.

GABLE WINDOW INSTALLATION

Gable End windows must be installed centrally in H1, H2, & H4 units, and can be installed either centrally or on either internal gable end wall sheet in H3 units (Figure 10.1).

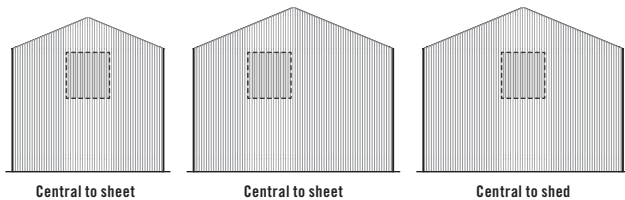


FIGURE 10.1

For extra support all windows must sit directly beneath the gable truss. Gable end wall sheets will need to be cut back to create an opening for the window.

Refer to Figure 10.2 for specific measurements for trimming wall sheets (Figure 10.2).

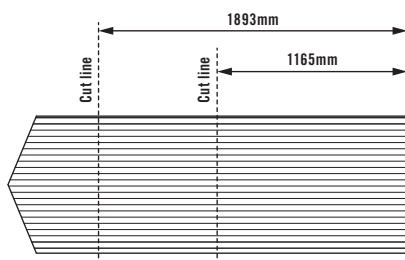


FIGURE 10.2

Once trimmed, the gable end wall sheets can be installed. Refer to 'Gable End Wall Construction (No Door)' for fixing details. To ensure correct sheeting location; lay out all sheets and mark their intended location prior to fixing (Figure 10.3).

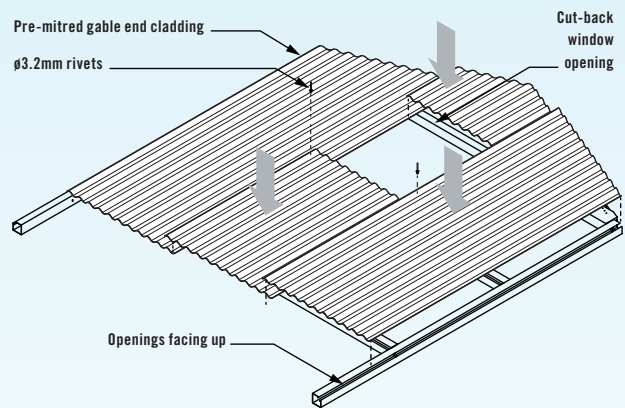


FIGURE 10.3

Fit the window within the pre-cut opening. Fix the window along the top and bottom of the window frame using $\varnothing 3.2\text{mm}$ colour rivets at every second crest (Figure 10.4).

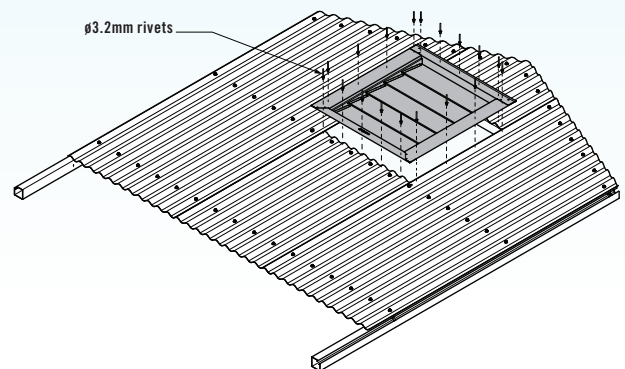


FIGURE 10.4

Fix the window frame along each side using four $\varnothing 3.2\text{mm}$ rivets spaced evenly (Figure 10.4).

Internally cap the cut wall sheet beneath the window using the window flashing provided. Crest-fix through to wall sheets using four 12x35mm self-drilling screws (Figure 10.5).

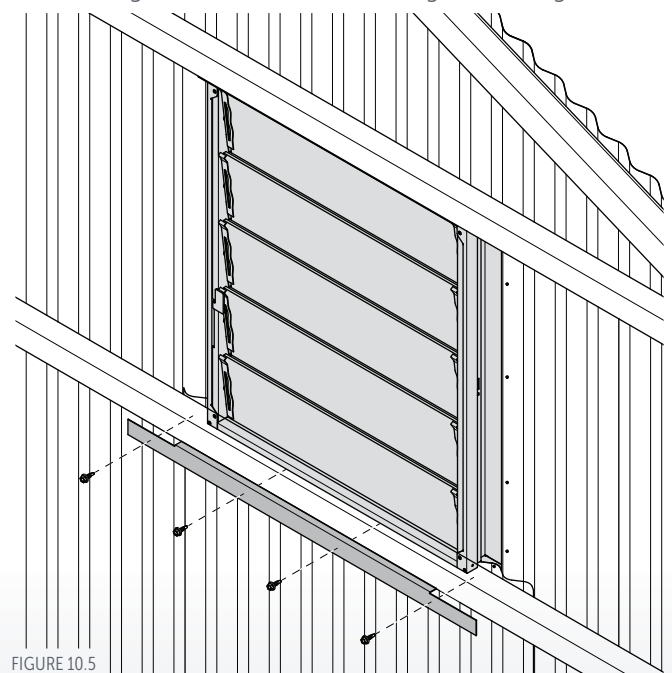


FIGURE 10.5

SIDE WALL WINDOW INSTALLATION

Side wall windows must be positioned over a full wall sheet. The wall sheet in line with the window will need to be cut back to 1152mm. Install wall cladding along the wall as per "Cladding Installation". Rivet the shorter sheet to adjacent full wall sheets.

Fit the window stand-off flashing by hanging over the outside face of the eaves girt (Figure 10.6). Fasten the flashing using four evenly-spaced 12x35mm self-drilling screws along the underside & outside faces (Figure 10.6).

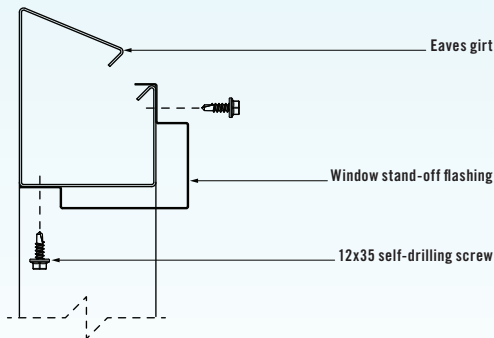


FIGURE 10.6

Fit the window within the opening in the wall cladding. Fix the window along the top of the window frame using four evenly spaced 12x35mm coloured self-drilling screws through the window stand-off flashing & eaves girt (Figure 10.7).

Fix the bottom of the window frame using $\varnothing 3.2$ mm colour rivets through every second crest of the wall cladding (Figure 10.7). Fix the window frame along each side using four $\varnothing 3.2$ mm rivets spaced evenly (Figure 10.7).

Internally cap the cut wall sheet beneath the window using the window flashing provided. Crest-fix through to wall sheets using four 12x35mm self-drilling screws (Figure 10.8).

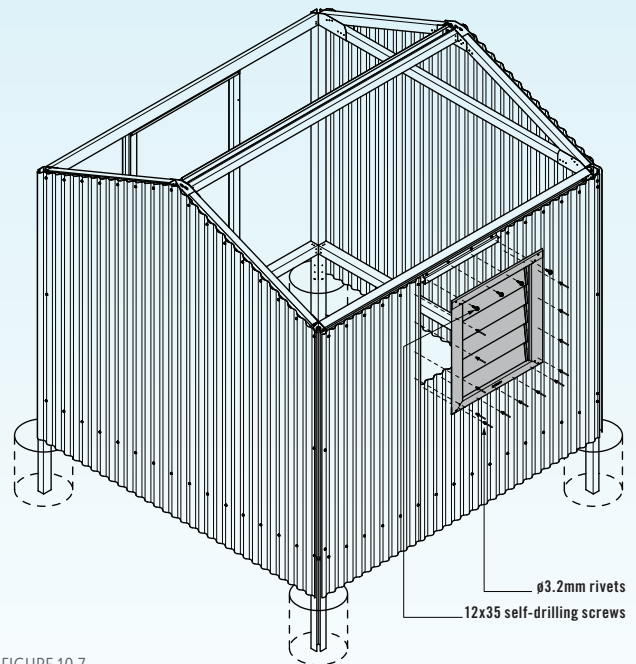


FIGURE 10.7

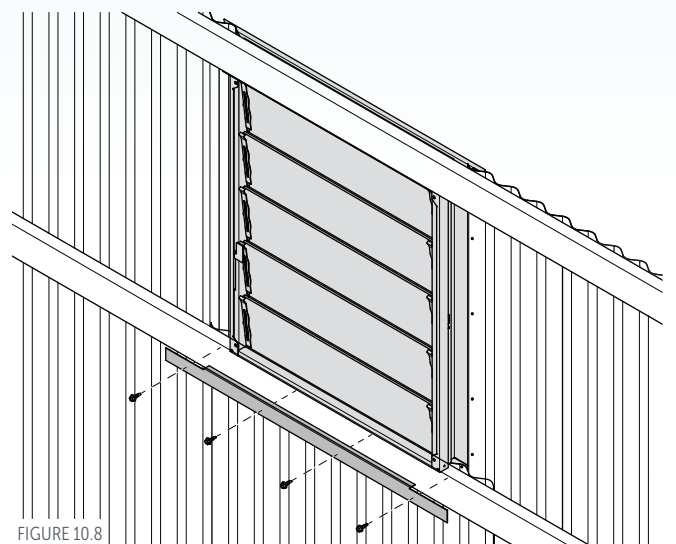


FIGURE 10.8

MAINTENANCE

Your Stratco Handi-Garden Shed will maintain its good looks for even longer with a simple wash and wipe down. Cleaning should be performed as often as is required to remove any dirt, salt and pollutants. Stratco Handi-Sheds are produced from the highest quality materials and will provide many years of service, refer to the 'Selection Use and Maintenance' brochure for more information on how to get the best out of your product.



« SCAN THIS QR CODE TO FIND A STRATCO NEAR YOU

1300 155 155
stratco.com.au

All brands and logos/images accompanied by © or ™ are trade marks of Stratco (Australia) Pty Limited. © Copyright August 2019

How To.

