

Rainheads





ROUND

Create a bold, dramatic statement with the modern curves of the round rainhead range. Combined with the use of strong, vivid colours, their design will impart any building with individuality and flair. With six styles to choose from, the range offers a broad selection of geometric designs to complement any form of architecture.



Circular



Half Round



Quarter Round



U-Shape



Concave



Convex

CURVED

The smooth flowing, simple lines of the curved rainheads are designed to form a seamless blend with any building. With a classic shape that has a timeless appeal, they will complement both traditional and modern architecture. The understated lines not only exude a sense of quality, they also make the range one of the most economical styles.



Half Cylinder



Conical



Ned Kelly



TAPERED

Tapered rainheads are popular in industrial applications due to their strength and resilience. Their tapered bottom assists in the natural rotation of the entering water, therefore increasing the efficiency of the rainhead. The bead around the top of the design helps to strengthen the rainhead and protect it from damage during maintenance.



Tapered



Custom Tapered



Low Profile

BOX

Box rainheads have sharp lines that form bold shapes. With a range of square, splayed or tapered designs to choose from, their style is simple and practical. Box rainheads will complement any form of architecture, but they work particularly well on small commercial buildings or on structures with rendered brickwork.



Flat Bottom



Splayed



Triangular

SEGMENTED

Add a touch of class with the prestigious and skilfully made segmented rainheads. Their design works well with ornate and intricate architecture.



Diamond



Colonial



Ornate



CONTACT

1300 165 165

Rainheads

Rainheads are an essential design element for buildings where internal box or trough gutters are used. A rainhead or sump is a container located between the gutter and downpipe that aids the flow of water away from the roof. It acts as an external overflow point to minimise water surges into the stormwater system and aid the flow of water down the downpipe. The outside positioning of rainheads means that they minimise the risk of water overflow inside a building. Furthermore, the addition of an overflow provision provides even greater protection against water overflow in extreme conditions.

Selecting a Size and Style

Choose from one of our five standard styles of rainhead; round, box, curved, tapered and segmented. Alternatively, Stratco can manufacture any custom rainhead design to suit your building's architectural style. Stratco Rainheads are available in a variety of finishes and sizes and are perfect for both residential and industrial applications.

When determining the size of your rainhead you will need to consider such things as rainfall intensity, occurrence, use of the building and the size of the box gutter. This is best done by your architect, engineer or building designer and should conform to the requirements of AS/NZS 3500.3:2003 Plumbing and Drainage.

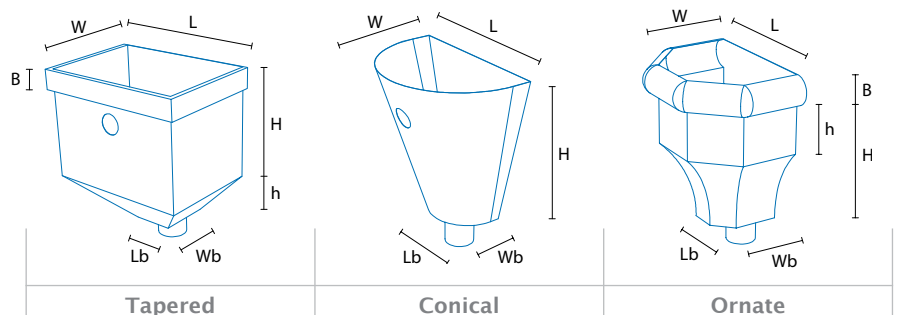
STANDARD RAINHEAD SIZES

Length	Width	Height	Length	Width	Height
200	175	200	375	325	325
250	175	200	400	250	300
275	175	200	400	300	300
275	200	225	400	350	300
275	225	225	400	375	325
300	225	225	450	300	300
350	225	250	450	250	375
300	225	250	500	225	225
350	300	225	500	300	300
325	325	250	600	300	300
350	300	300	600	325	350
375	250	275	600	300	375
375	300	300	600	325	375

Ordering Your Rainhead

When ordering a rainhead you must specify the dimensions of the design. You will need to know the length, width and height. Depending on the style you choose, you may also need to know the bead height. See below for three examples showing the dimensions you will require.

All rainheads include a fitted downpipe outlet which is available in a wide range of sizes. When ordering your Stratco Rainhead it is important that you specify the size and position of the downpipe outlet. An overflow provision is also included on all standard Stratco rainheads. The size and position of the overflow needs to be specified when your rainhead order is placed. Overflow spouts are available as optional extras, in round, square or rectangular shapes.



Maintenance

Rainheads are produced from the highest quality materials and will provide many years of service if the important recommendations set out in the Stratco 'Selection, Use and Maintenance' brochure are followed.