



SHEDS

INSTALLATION GUIDE

BEFORE YOU START

- It is important that you contact your local government authority to determine if building approval is required.
- Handi-Pod® Garden Sheds must be securely bolted to a permanent concrete base with sufficient masonry anchors securing all mounting locations as indicated in Figure 5.1 to prevent wind uplift. The installer is responsible for ensuring the slab or concrete pads are sufficient to support the shed and sustain wind loading. Do not directly anchor your shed to pavers. Two options for concrete bases are listed below:
 - Base Option 1 - Before building the shed pour a concrete base that is larger than the area of the shed by at least 200mm in each direction. The base should be poured so the concrete outside the shed floor area slopes away from the shed to help prevent water entering the shed.
 - Base Option 2 - Substantial concrete pads may be used at each anchor location as an alternative to a complete concrete floor. It is recommended pads are minimum Ø250mm x 400mm deep and embedded into a firm natural soil base. If installing a Flooring Kit using Base Option 2, additional concrete pads or pavers are required. Refer to the 'Handi-Pod Flooring Kit Installation Guide' for more information.
- Handi-Pod® Garden Sheds are suitable for wind classifications N1, N2 & N3. Handi-Pod® Garden Sheds are not suitable for N4 or Cyclonic wind classifications. Check with Stratco staff for the wind classification of the location the Handi-Pod® Garden Shed will be erected.
- Care must be taken when determining the location of the Handi-Pod® Garden Shed as to not place the shed in close contact with sources of pollution or environmental factors that could affect the life of the steel.
- It is essential to clear and level the site prior to assembling your Handi-Pod® Garden Shed.
- The Panels and Flashings are supplied with a protective plastic film on the coloured side. The plastic film must be removed prior to assembly.
- There are different types and colours of screws used. Ensure the correct type and colour screw is being used at each location.
- Do not traverse the roof of the Handi-Pod® Garden Shed.
- Use heavy gloves and safety glasses when handling steel and never attempt to install a shed in windy conditions.
- Where necessary, components are marked with a coloured sticker as to easily differentiate one from another. Components are referenced throughout the installation guide by their colour. For example, **Panel (Short)** is marked with a **red ●** sticker.

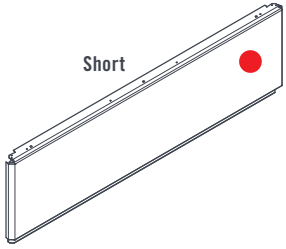
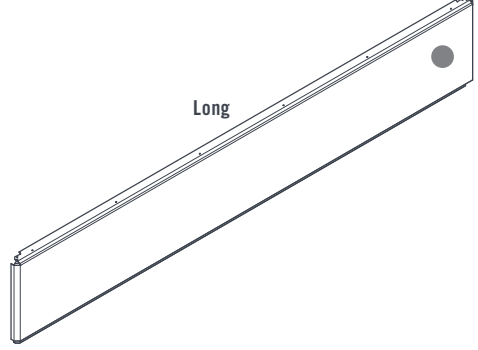
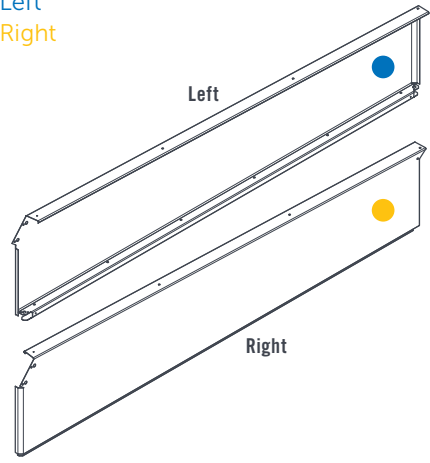
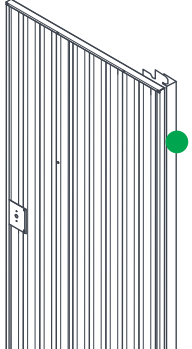
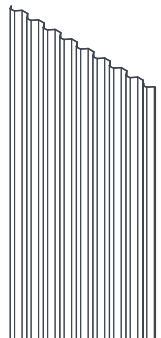
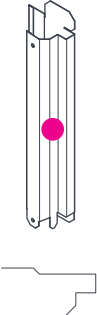
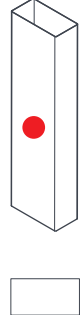
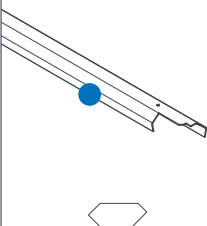
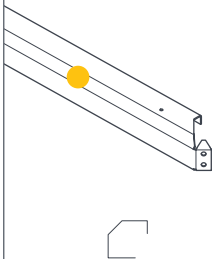



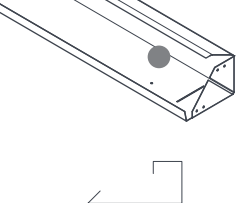
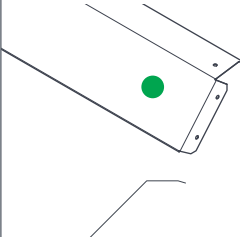
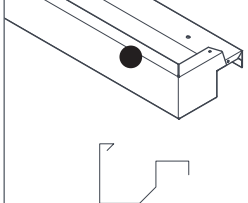
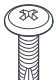
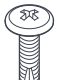
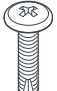




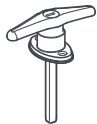
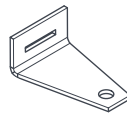
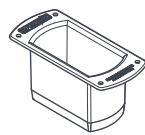
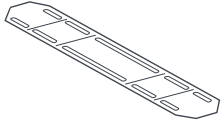
TOOLS AND HARDWARE REQUIRED

- Rivet Gun
- Caulking Gun & Silicone
- Cordless Drill
- Hammer Drill (if Cordless Drill has no Hammer function)
- 5/16 Hex-head & PH2 Phillips-head Bit (Supplied in Kit)
- 10mm Masonry Drill Bit
- 3.5mm Drill Bit (Supplied in Kit)
- Ladder, Tape Measure

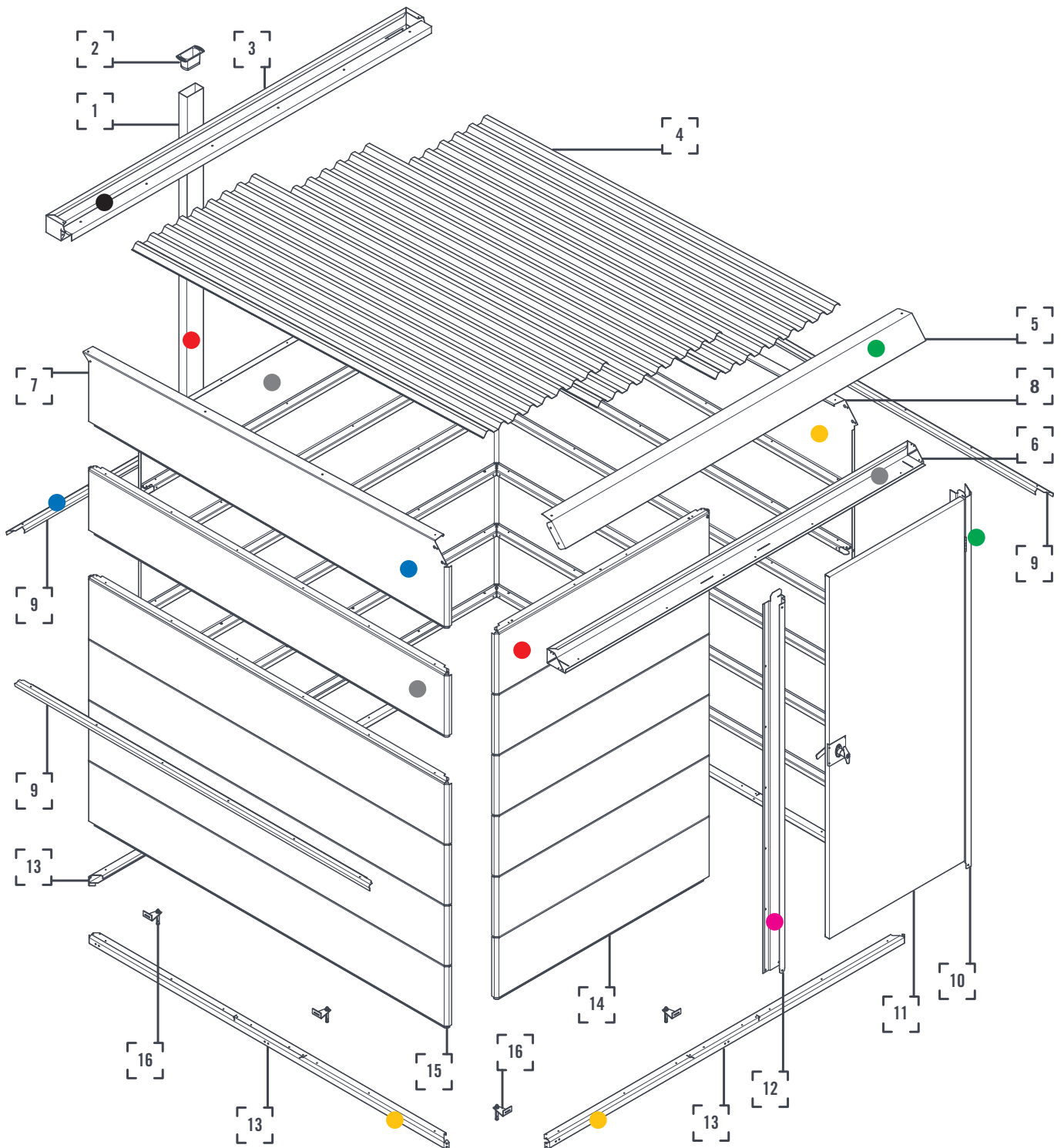
HANDI-POD® GARDEN SHED HP2

HANDI-POD® GARDEN SHED INSTALLATION GUIDE

COMPONENTS

<p>Panel (Short) x6</p>  <p>Short</p>	<p>Panel (Long) x16</p>  <p>Long</p>	<p>Barge Panel: Left Right</p>  <p>Left</p> <p>Right</p>			
<p>Door & Door Jamb</p> 	<p>Roof Sheet x3</p> 	<p>Door Stop</p> 	<p>Downpipe</p> 	<p>Wall Brace x3</p> 	<p>Bottom Channel x4</p> 
<p>Sheetmetal Screw- Colour</p> 	<p>Sheetmetal Screw- White</p> 	<p>Rivet</p> 	<p>Roof Flashing (Lower)</p> 	<p>Roof Flashing (Upper)</p> 	<p>Gutter</p> 
<p>Wafer-Head Self-Drilling Screw - White</p> 	<p>Wafer-Head Self-Drilling Screw - Plain</p> 	<p>Wafer-Head Self-Drilling Screw - 22mm - Plain</p> 	<p>Hex-Head Self-Drilling Screw + Washer - Colour</p> 	<p>Hex-Head Self-Drilling Screw - Colour</p> 	<p>M8 Masonry Anchor x8</p> 
<p>Door Handle Tongue</p> 	<p>Door Handle</p> 	<p>Anchor Plate x8</p> 	<p>Downpipe Outlet</p> 	<p>Downpipe Strap</p> 	

COMPONENT DIAGRAM



- | | | | |
|----|-----------------------|-----|-----------------------|
| 1. | DOWNPIPE | 10. | DOOR JAMB |
| 2. | DOWNPIPE OUTLET | 11. | DOOR |
| 3. | GUTTER | 12. | DOOR STOP |
| 4. | ROOF SHEET | 13. | BOTTOM CHANNEL (LONG) |
| 5. | ROOF FLASHING (UPPER) | 14. | WALL PANEL (SHORT) |
| 6. | ROOF FLASHING (LOWER) | 15. | WALL PANEL (LONG) |
| 7. | BARGE PANEL - LEFT | 16. | ANCHOR PLATE |
| 8. | BARGE PANEL - RIGHT | | |
| 9. | WALL BRACE | | |

BASE ASSEMBLY

The Panels and Flashings are supplied with a protective plastic film on the coloured side. The plastic film must be removed prior to assembly.

Lay out the Bottom Channels (Figure 1.0). Fasten the Bottom Channels together at corners with two Plain Wafer-Head Self-Drilling Screws in each corner.

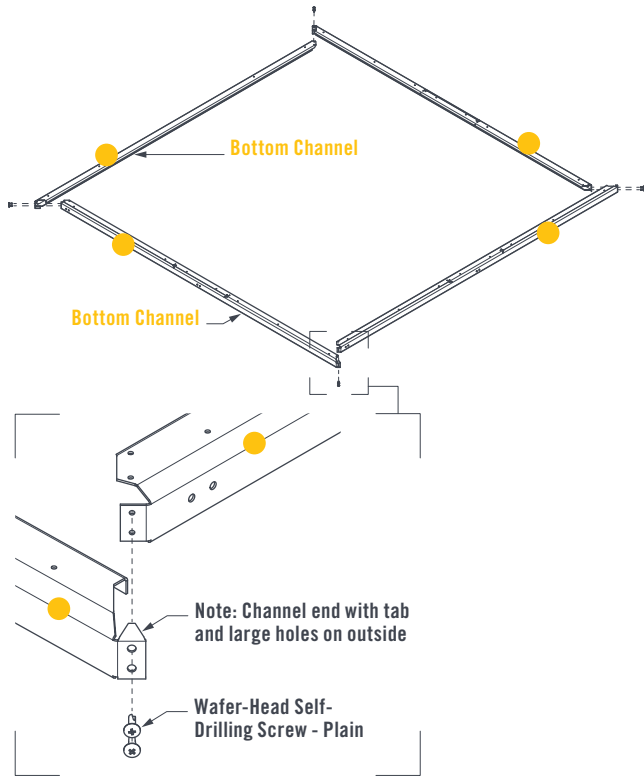


FIGURE 1.0

Fasten two Plain Wafer-head Self-Drilling Screws through the Bottom Channels and into each Anchor Plate. There are eight Anchor Plates in total.

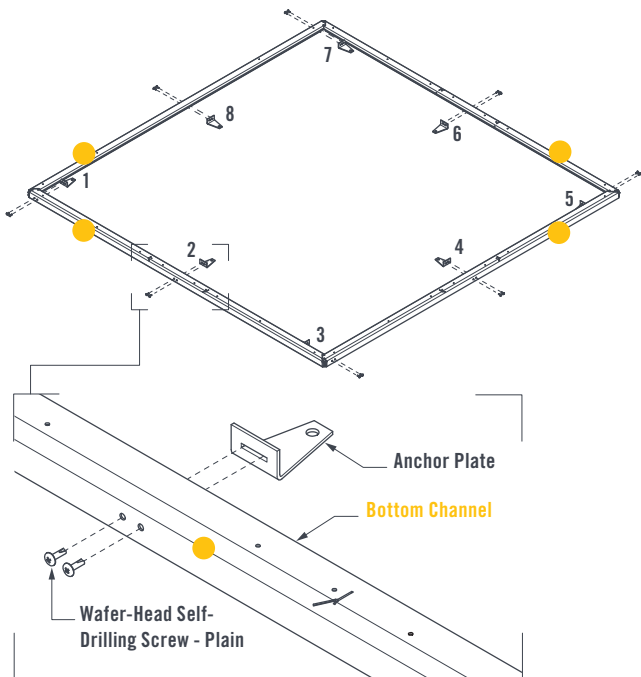


FIGURE 1.1

Fit a Panel (Short) to the front Bottom Channel.

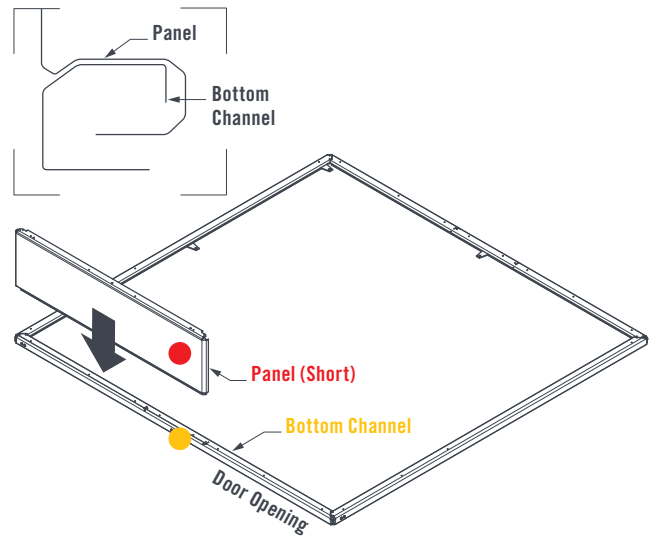


FIGURE 1.2

Fasten the Panel (Short) to the Bottom Channel with four white Wafer-Head Self-Drilling Screws.

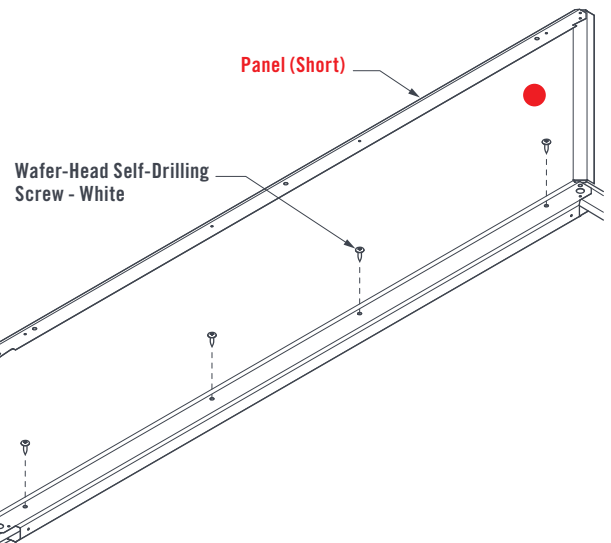


FIGURE 1.3

Fit a Panel (Long) to the left side Bottom Channel. Install the Panel (Long) at an angle (Figure 1.4).

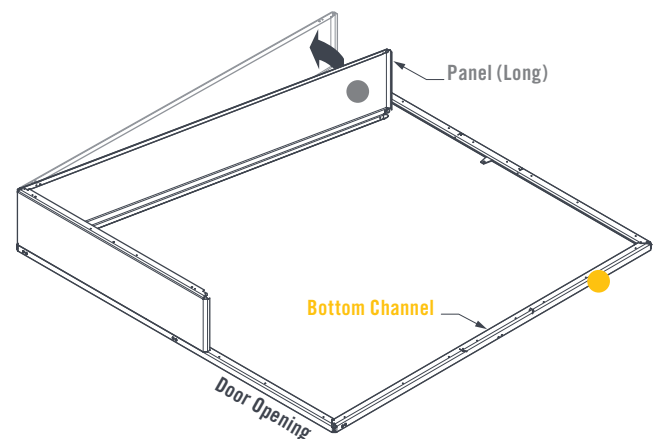
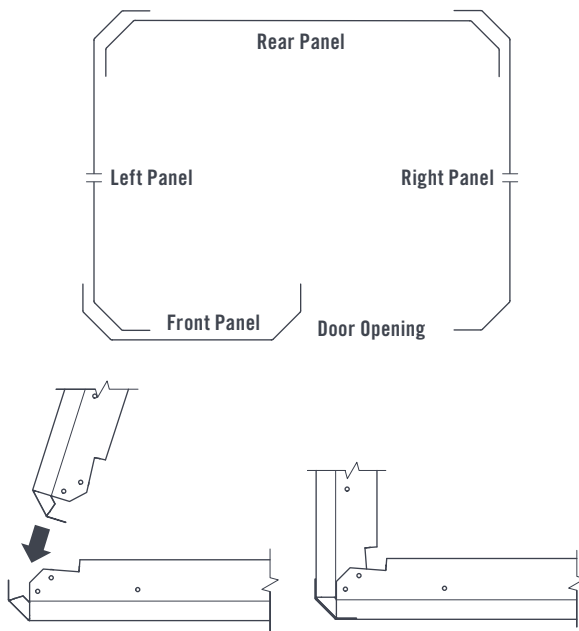


FIGURE 1.4

Ensure Panels lap together at corners in the correct manner. The Left Panel fits into the inside of the Front Panel. The Rear Panel fits into the inside of the Side Panels.



Panels lap together at corners

FIGURE 1.5

Fasten the Panel (Long) to the Bottom Channel with eight white Wafer-Head Self-Drilling Screws.

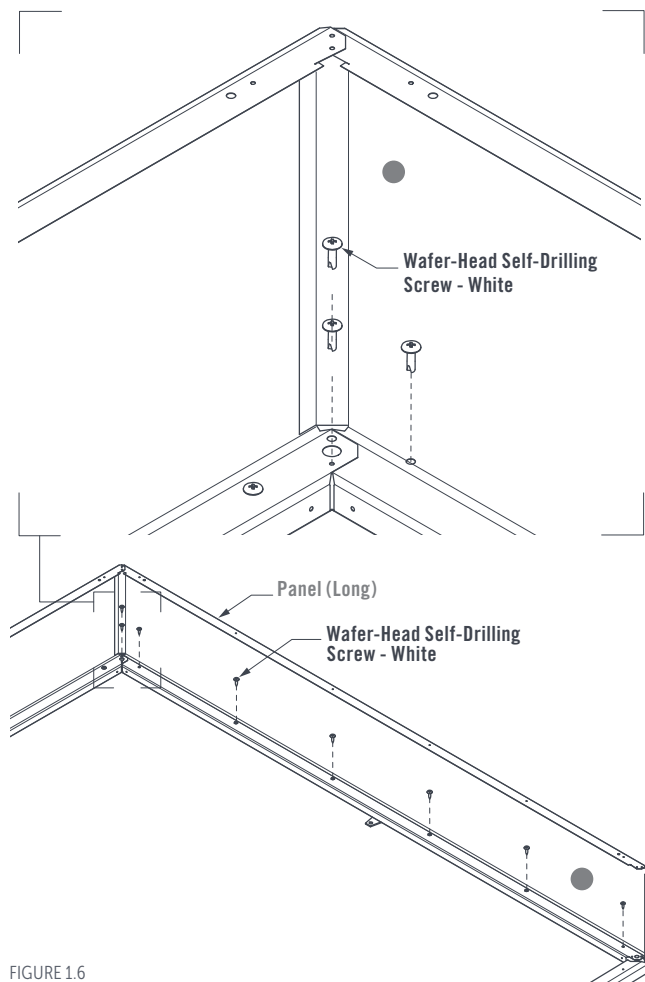


FIGURE 1.6

Fit a Panel (Long) to the right side Bottom Channel. Install the panel at an angle (Figure 1.7).

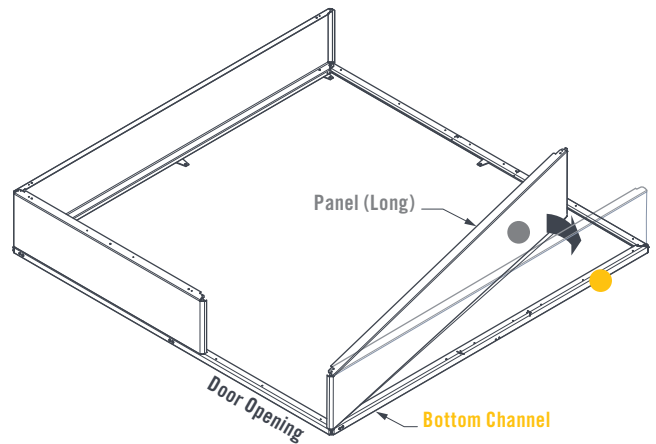


FIGURE 1.7

Fasten the Panel (Long) to the Bottom Channel with six white Wafer-Head Self-Drilling Screws.

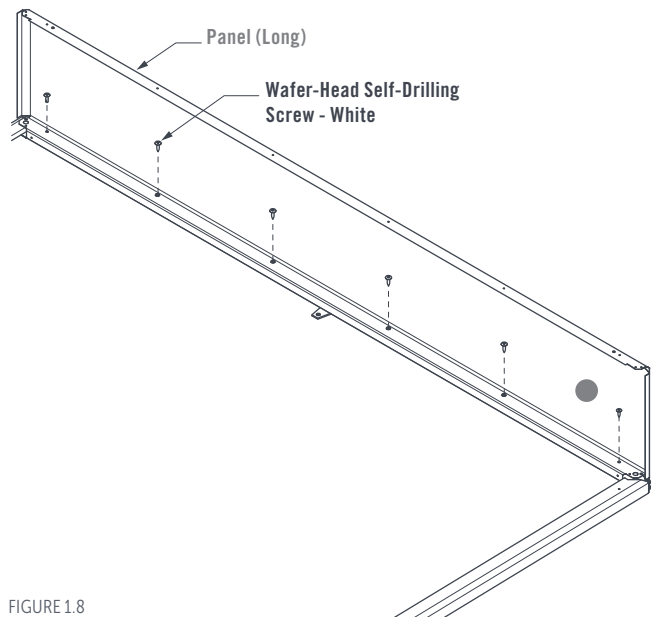


FIGURE 1.8

Fit a Panel (Long) to the rear Bottom Channel. Install the Panel (Long) at an angle (Figure 1.9).

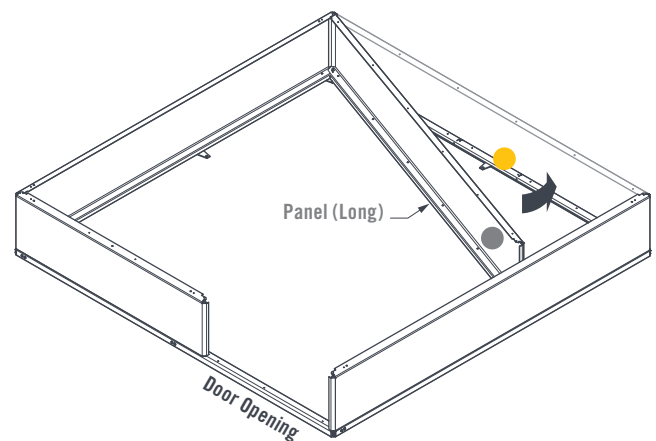


FIGURE 1.9

Fasten the Panel (Long) to the Bottom Channel with ten White Wafer-Head Self-Drilling Screws.

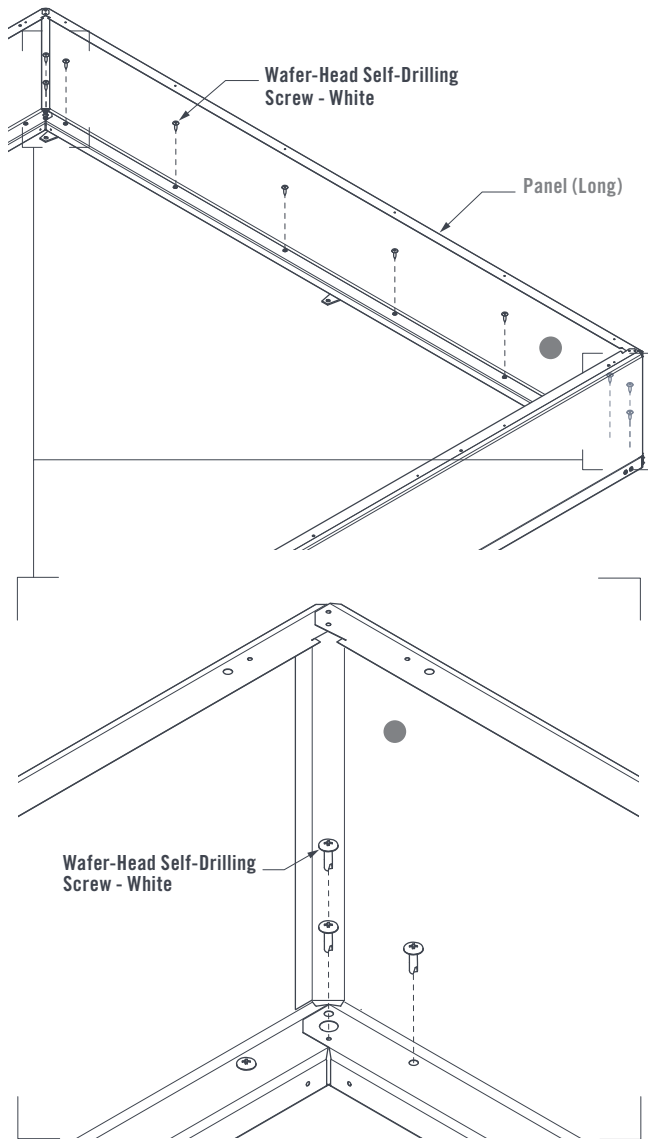


FIGURE 1.10

Fasten one white Sheetmetal Screw through the top corner of each Panel overlap.

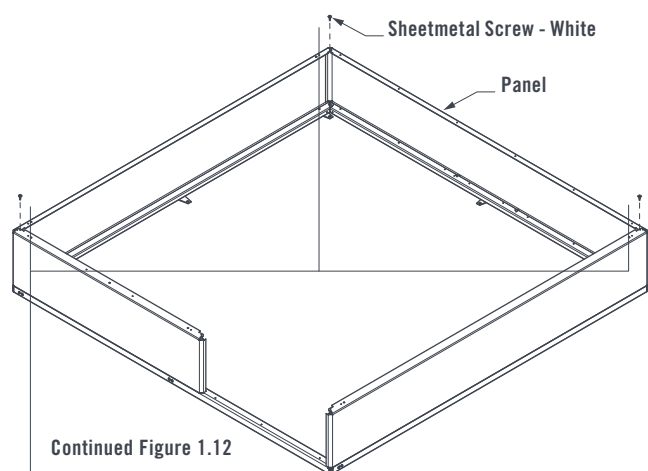


FIGURE 1.11

Continued Figure 1.12

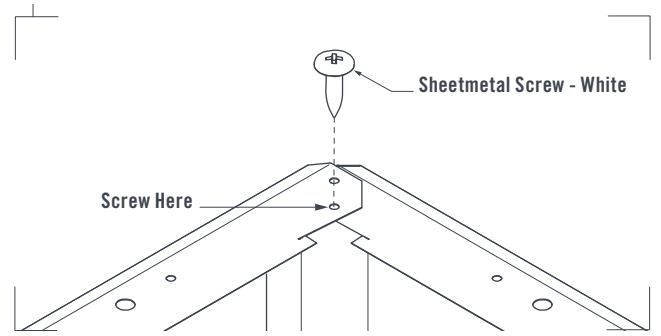


FIGURE 1.12

Check the walls are square by measuring the distance from corner-to-corner (dashed lines, Figure 1.13). The diagonal measurements should be equal for the walls to be square.

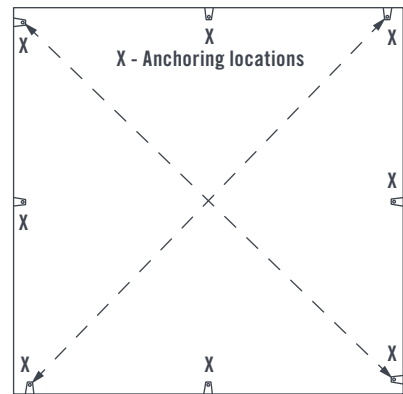


FIGURE 1.13

DOOR INSTALLATION

Fit the Door Stop over the front Panel (Short). The Door Stop tab fits into the slot in the Bottom Channel.

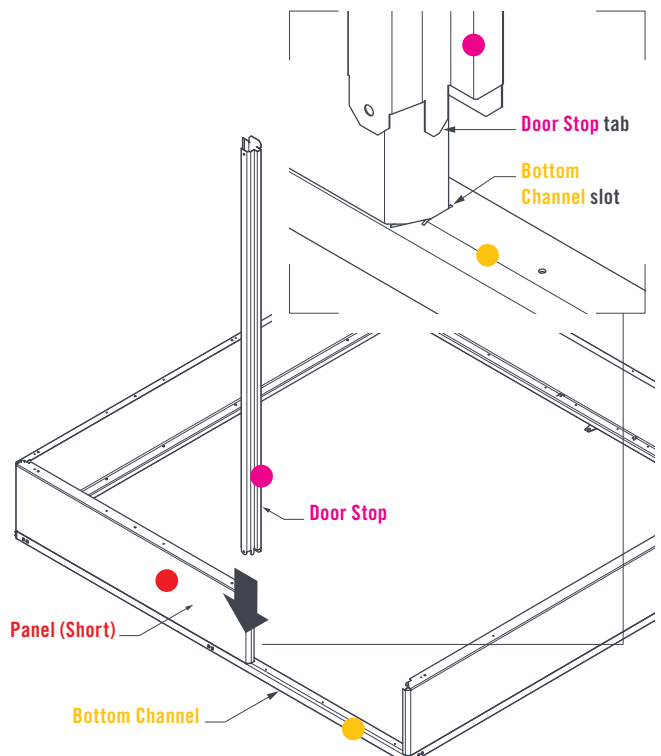


FIGURE 2.0

Fasten the **Door Stop** to the **Bottom Channel** using two coloured Hex-Head Self-Drilling Screws.

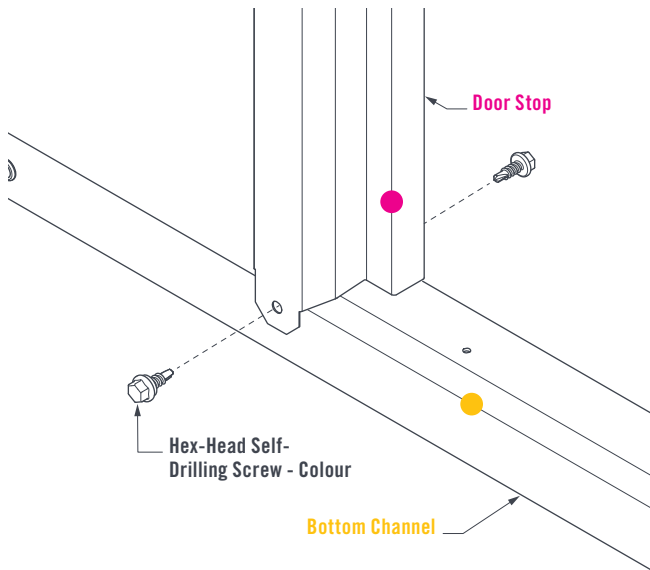


FIGURE 2.1

Fit the **Door Jamb** over the right side Panel (Long). Fasten the **Door Jamb** to the **Bottom Channels** using two coloured Hex-Head Self-Drilling Screws.

Note: Use a piece of packaging material to keep the door supported in the open position.

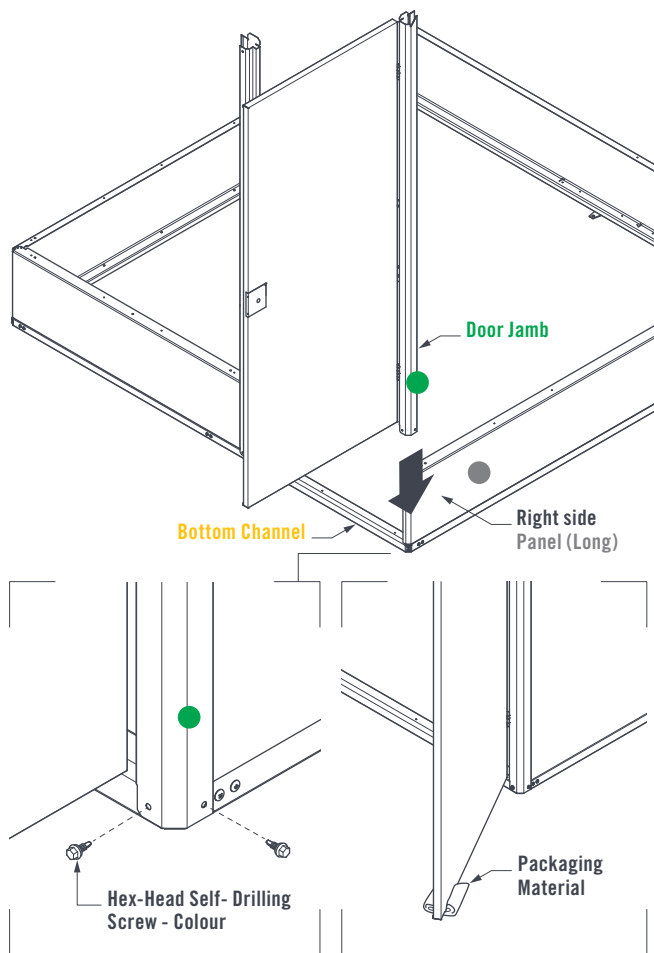


FIGURE 2.2

Fasten one coloured Sheetmetal Screw through the **Door Jamb** and **Door Stop** and into the Panels from the inside of the shed.

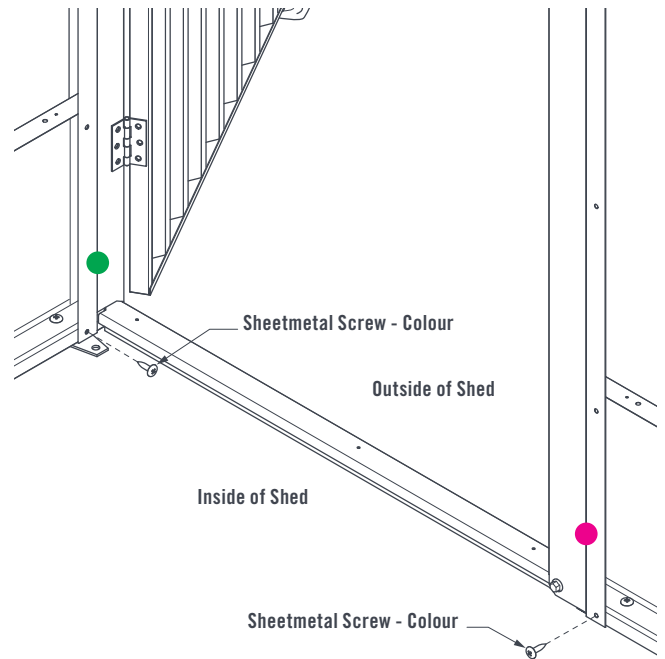


FIGURE 2.3

WALL ASSEMBLY

Replicate steps 1.2 to 1.12 and 2.3 to build up the next three layers of Panels. Panels lap together as below (Figure 3.0). Ensure Panels are assembled in the order of Front, Left, Right then Rear.

Use white Sheetmetal Screws to fasten panels together.

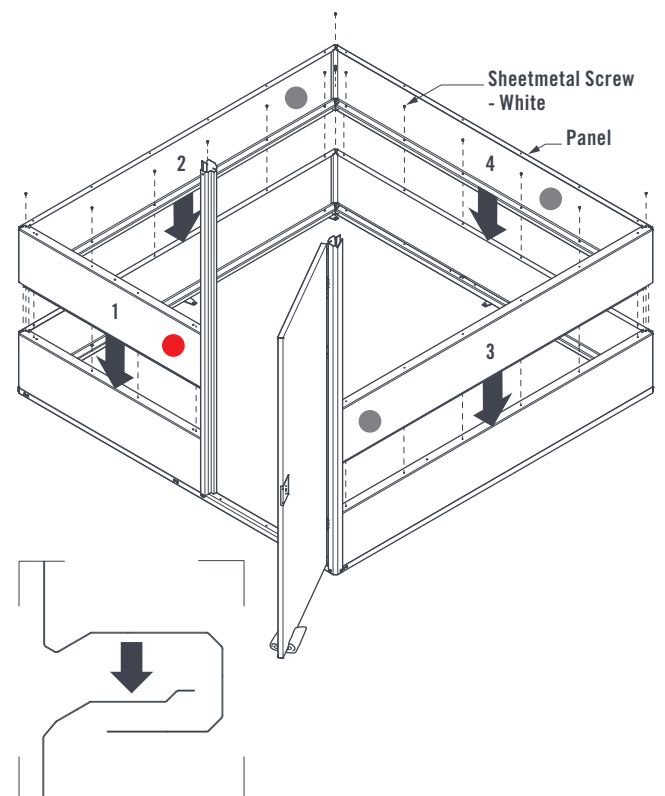


FIGURE 3.0

HANDI-POD® GARDEN SHED INSTALLATION GUIDE

When installing the Panels of the fourth layer, only fasten three White Sheetmetal Screws in each corner. Do not fasten the middle six white Sheetmetal Screws of the Panels.

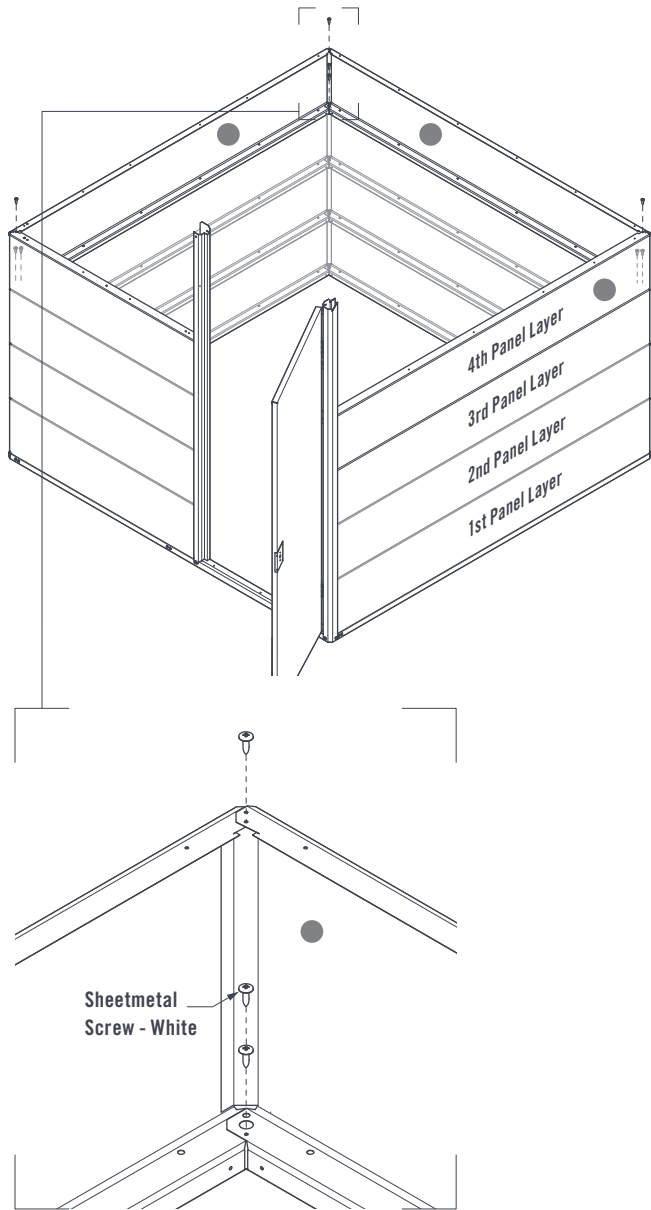


FIGURE 3.1

A **Wall Brace** is installed along the Panel (Long) laps between the 3rd and 4th panel layers.

Fit the **Wall Braces** under the panel laps (Figure 3.2). Fasten through the Panel and into the **Wall Brace** with six white Sheetmetal Screws in each Panel. Fasten the **Panel (Front)** with four white Sheetmetal Screws.

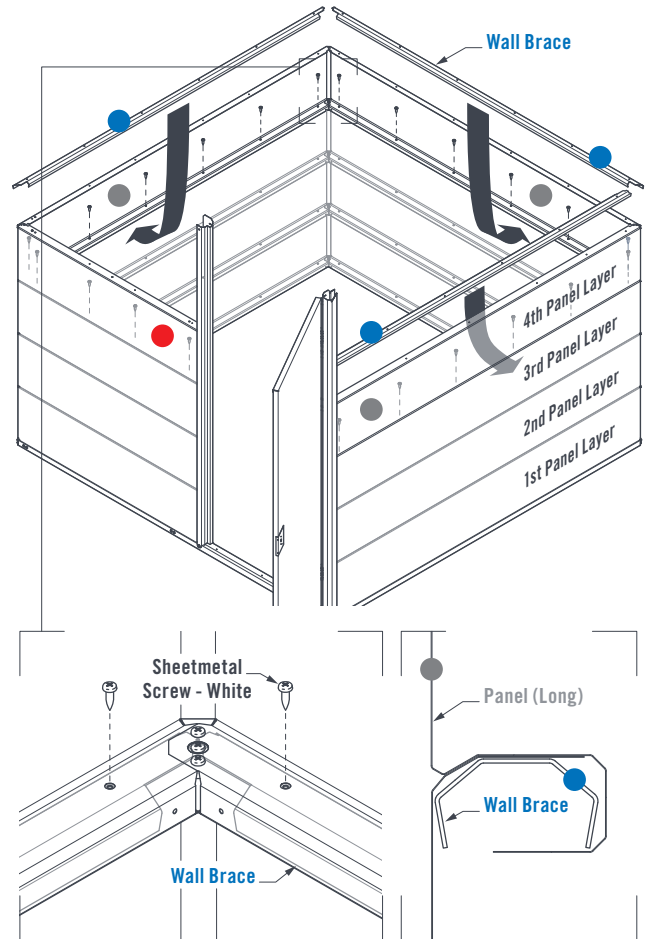


FIGURE 3.2

Assemble the remaining Panel layers.

Note: For the sixth Panel layer, fit a **Barge Panel (Left)** and **Barge Panel (Right)**.

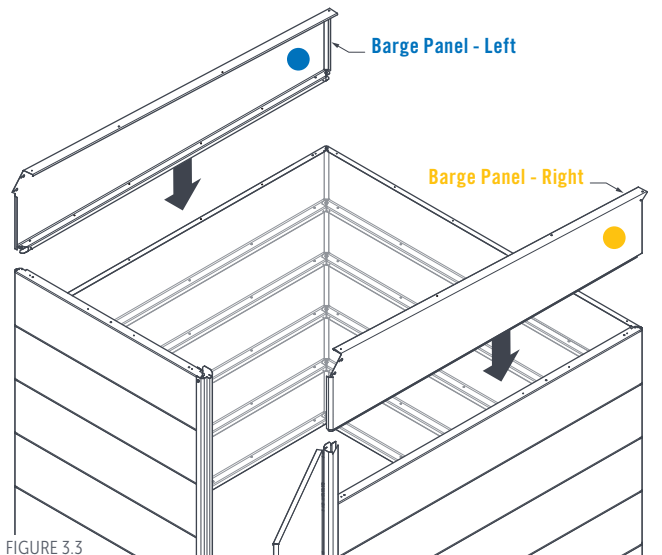


FIGURE 3.3

ROOFING INSTALLATION

Fit the Roof Flashing (Lower) to the Door Stop and Door Jamb. The slots in the underside of the Roof Flashing (Lower) fit over the tabs of the Door Stop and Door Jamb.

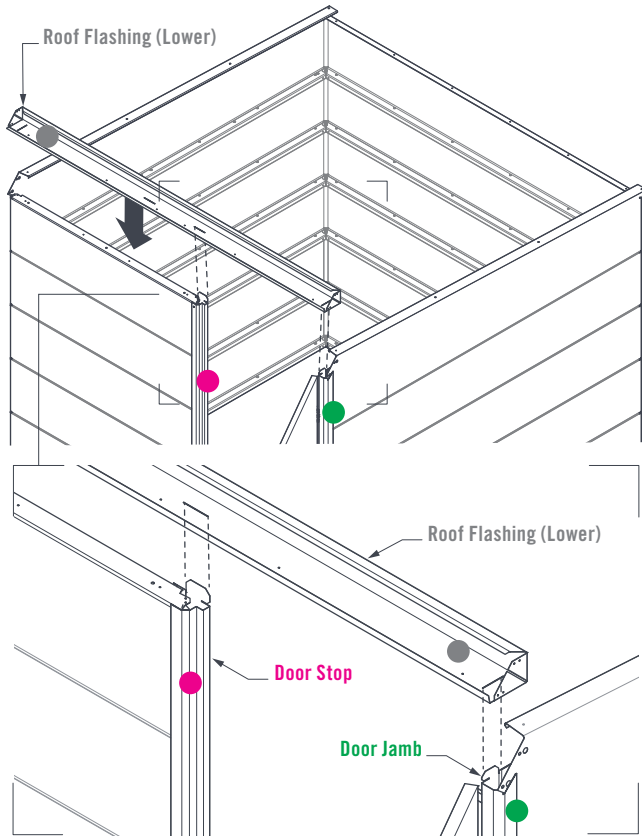


FIGURE 4.0

Fasten two coloured Sheetmetal Screws through the Barge Panels and into the Roof Flashing (Lower) at both ends.

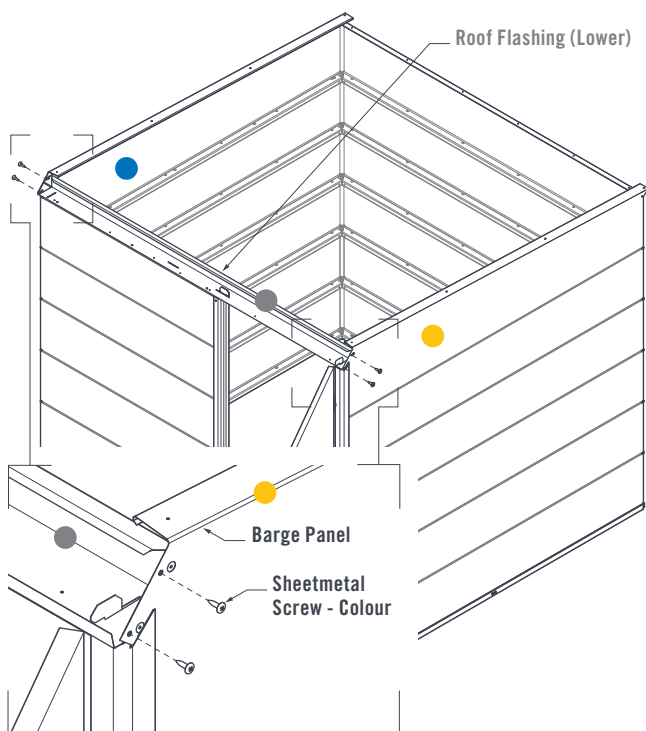


FIGURE 4.1

From inside of the shed, fasten three white Sheetmetal Screws through the front Panel (Short) and up into the Roof Flashing (Lower).

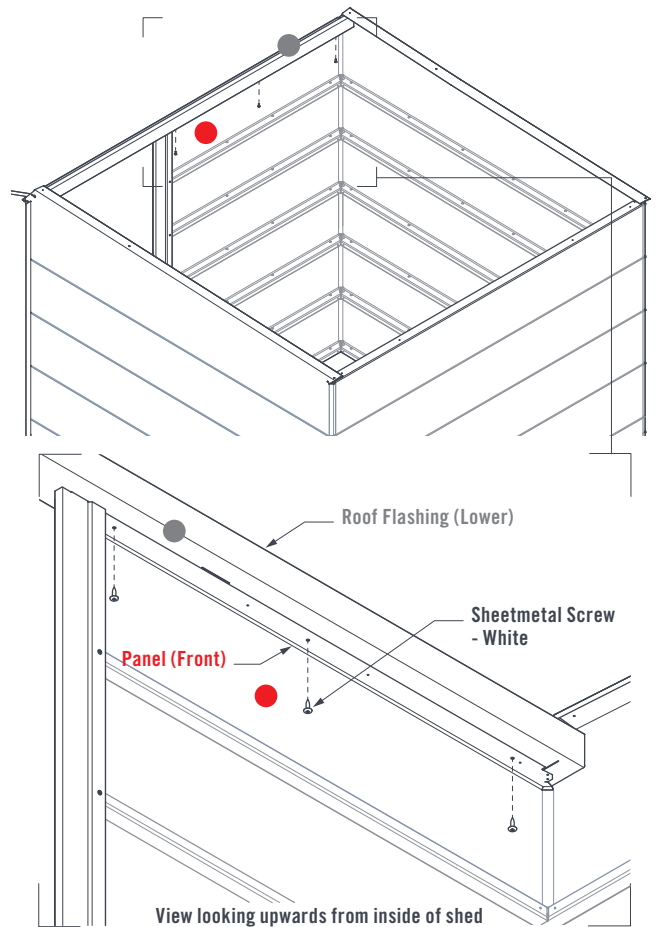


FIGURE 4.2

Apply silicone to the underside of the Downpipe Outlet. Fit the Downpipe Outlet into the Downpipe Opening in the Gutter. Rivet the Downpipe Outlet in place using four Rivets. Apply silicone to the inside gaps of both Gutter ends.

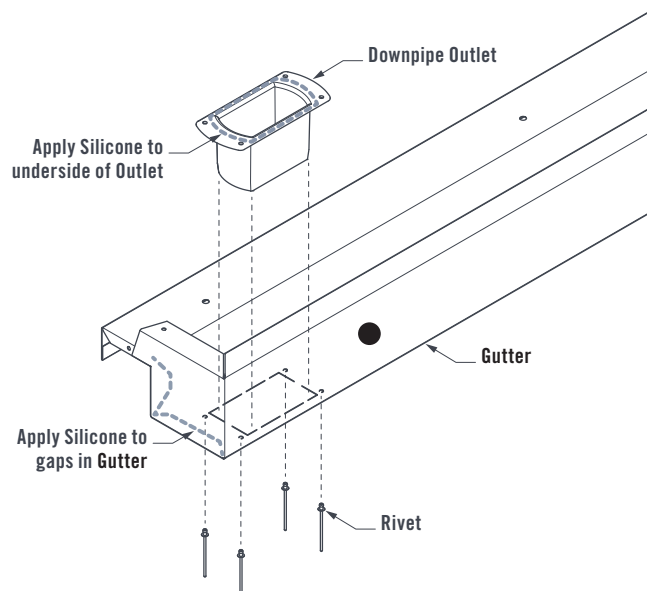


FIGURE 4.3

Fit the Gutter over the rear Panel (Long). Ensure the Gutter fits under the Barge Panels.

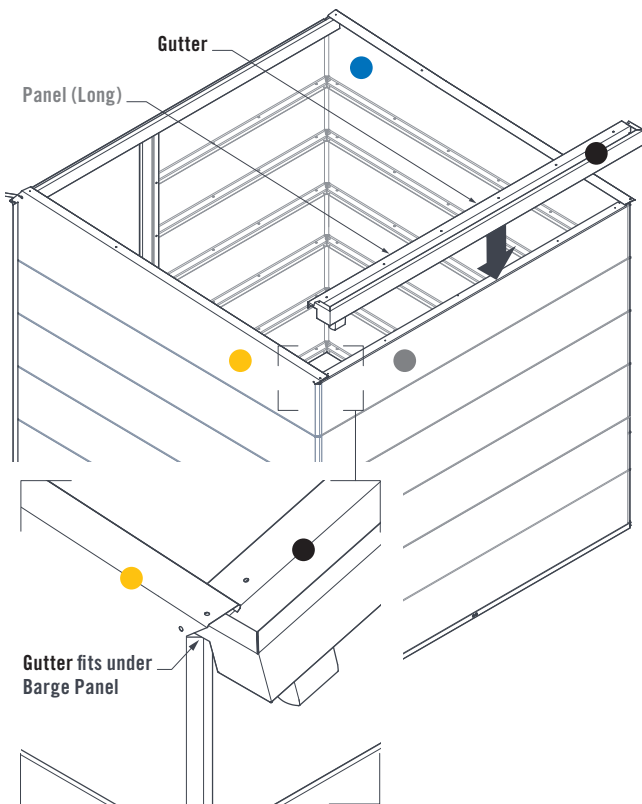


FIGURE 4.4

Fasten one coloured Sheetmetal Screw through the Barge Panel and into the Gutter at both ends. Fasten six white Sheetmetal Screws through the Gutter and into the rear Panel (Long).

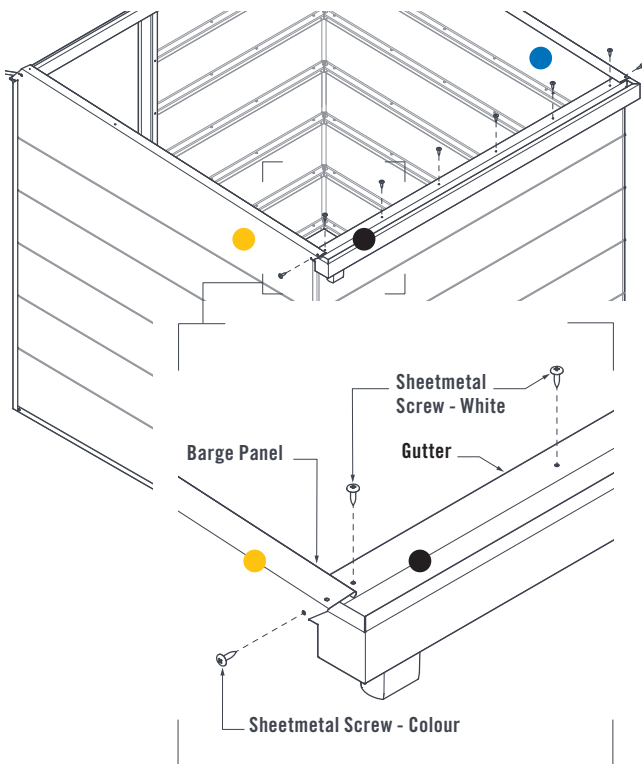


FIGURE 4.5

Position the Downpipe Strap against the Panel lap. Fasten the Downpipe Strap to the rear Panel (Long) using two coloured Hex-Head Self-Drilling Screws with Washers.

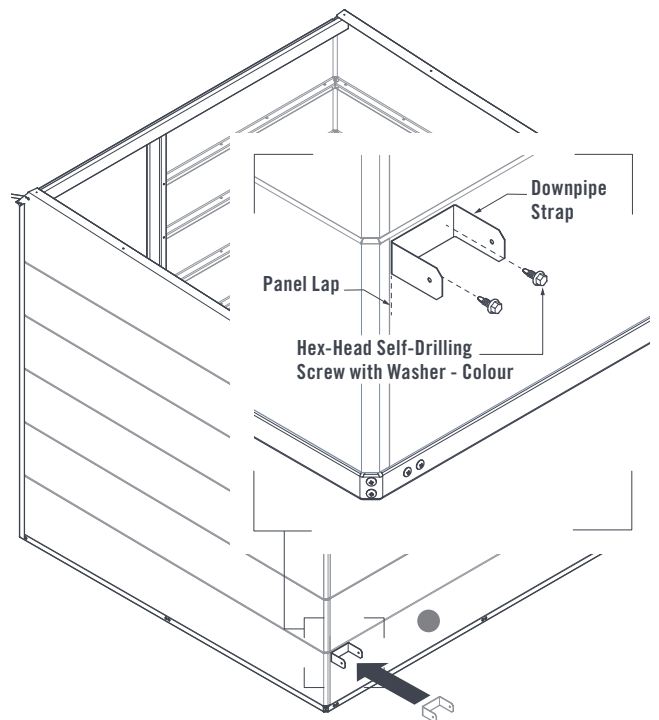


FIGURE 4.6

Fit the Downpipe over the Downpipe Outlet and hard against the underside of the Gutter. Fasten the Downpipe to the Downpipe Strap using two Coloured Hex-Head Self-Drilling Screws.

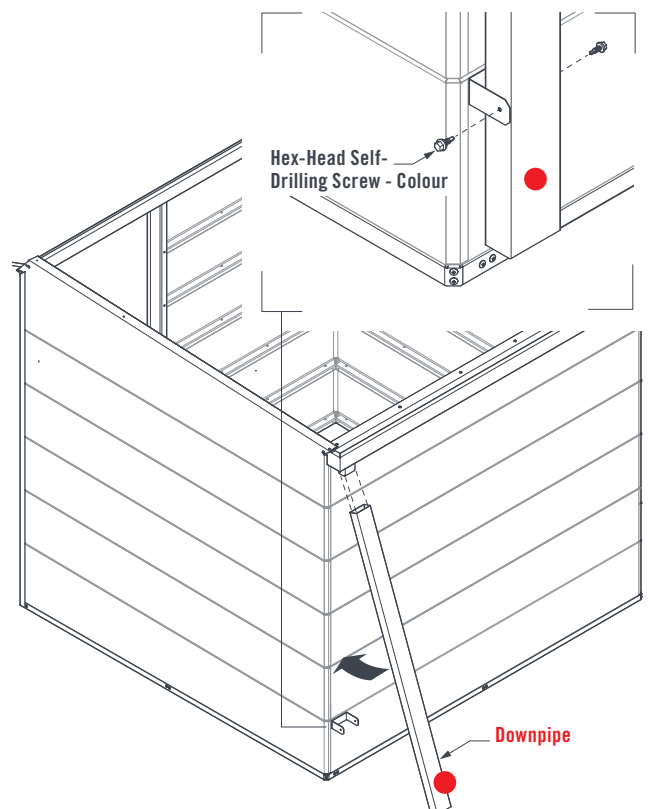


FIGURE 4.7

Drill two Ø3.5mm holes through the **Downpipe** and into the Downpipe Outlet. Rivet the **Downpipe** to the Downpipe Outlet with two coloured Rivets.

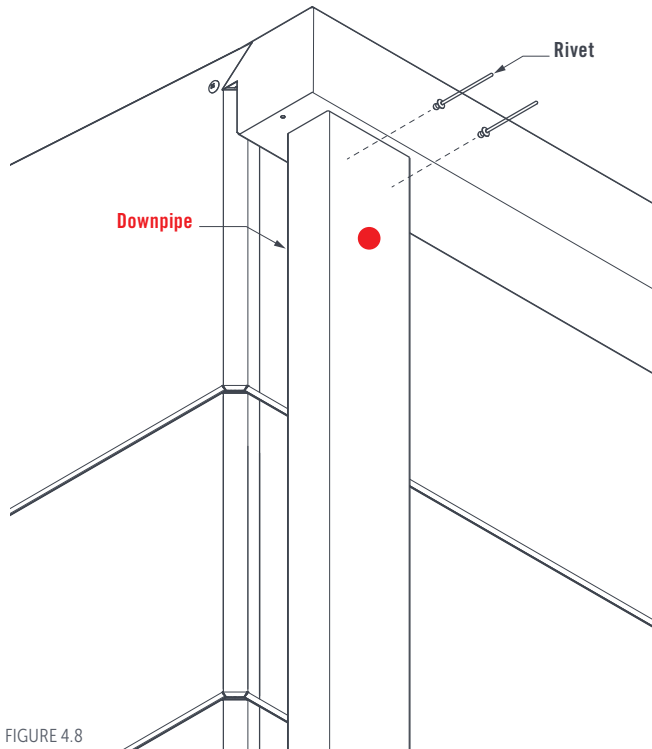


FIGURE 4.8

Fit the Roof Sheets onto the Roof Flashing (Lower) and Gutter. Ensure the Roof Sheets fit under the Barge Panels.

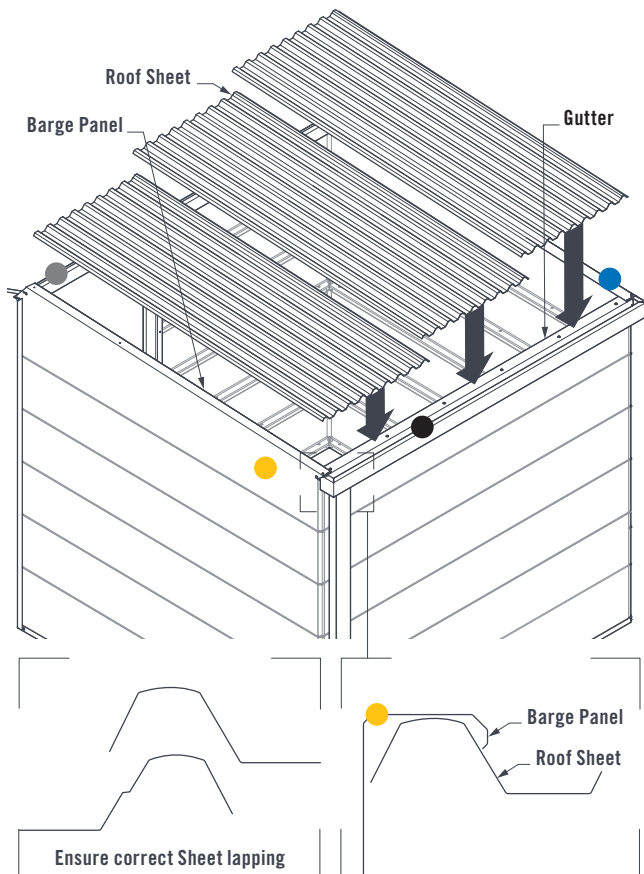


FIGURE 4.9

Ensure the ends of the Roof Sheets are in line with the Roof Flashing (Lower). Fasten coloured Hex-Head Self-Drilling Screws with Washers through every second Roof Sheet pan into the Roof Flashing (Lower) and Gutter.

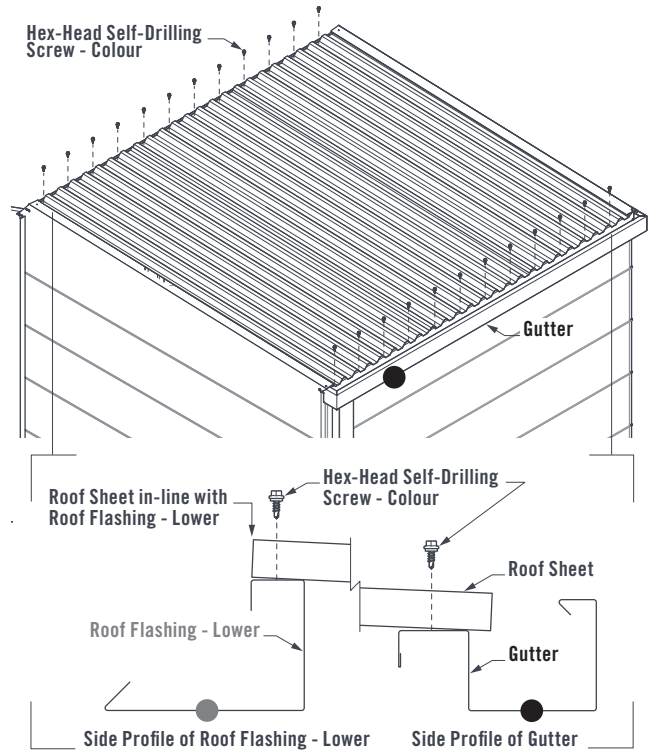


FIGURE 4.10

Fit the **Roof Flashing (Upper)** over the Roof Sheets and Roof Flashing (Lower). Fasten two coloured Sheetmetal Screws through the **Roof Flashing (Upper)** and into the Roof Flashing (Lower) at both ends.

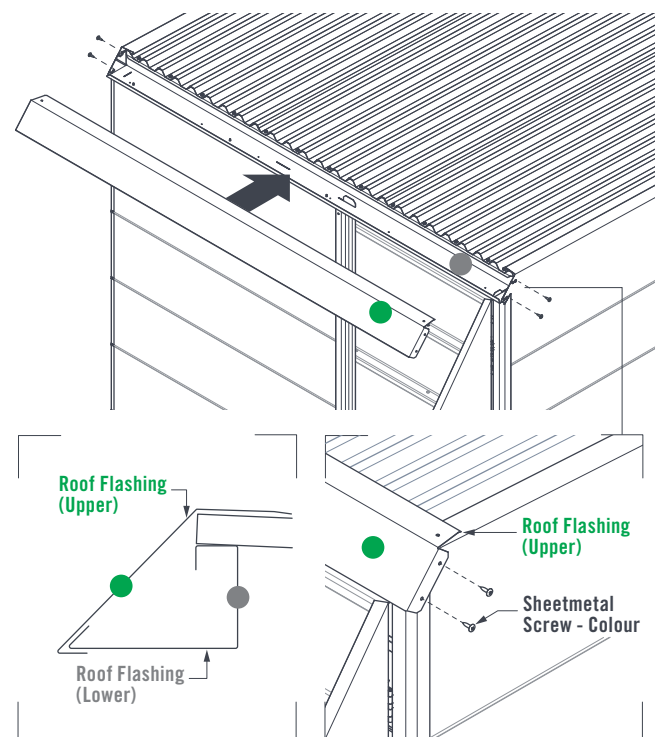


FIGURE 4.11



Fasten coloured Hex-Head Self-Drilling Screws with Washers through the four pilot holes of both Barge Panels and into the Roof Sheets. Fasten a coloured Hex-Head Self-Drilling Screw with Washer through the Door Stop and into the Panel (Short).

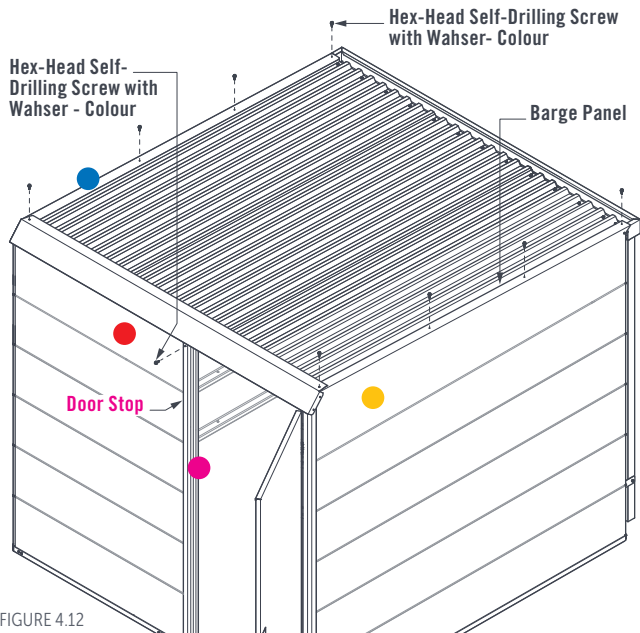


FIGURE 4.12

FINAL ASSEMBLY

Fasten the Door Handle to the Handle Mount with two 22mm Wafer-Head Self-Drilling Screws.

Slide the Door Handle Tongue all the way up the Door Handle shaft, ensuring the Door Tongue is oriented perpendicular to the Handle.

Tighten the Door Tongue screw on the Door Handle shaft to secure the Door Tongue in place. Slide the Locking Washer all the way up the Door Handle shaft to secure.

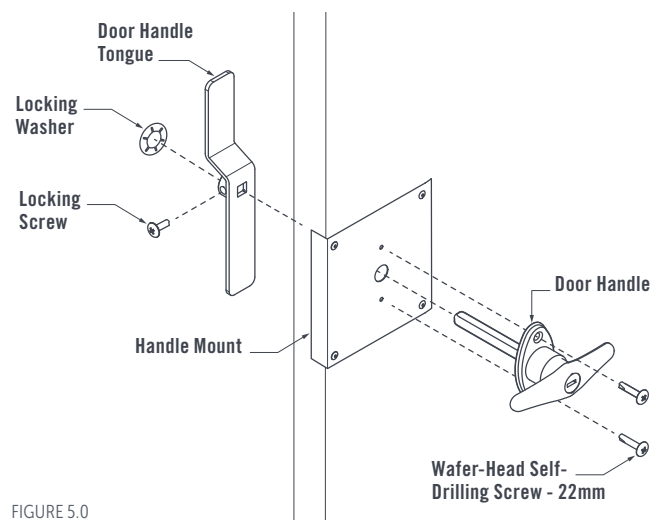


FIGURE 5.0

Move the Handi-Pod® Garden Shed into its final position. Check the walls are square by measuring the distance from corner-to-corner (dashed lines, Figure 5.1). The diagonal measurements should be equal for the walls to be square.

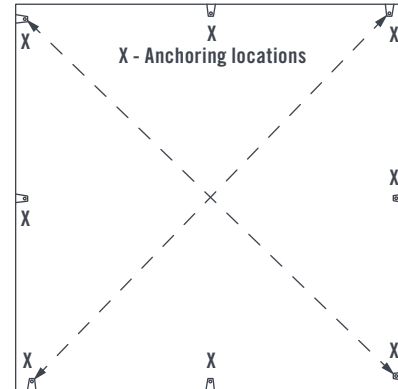


FIGURE 5.1

Refer to anchoring locations (Figure 5.1). Using the holes in the Anchor Plates as a guide, drill a hole into the concrete slab through all six Anchor Plates using a 10mm Masonry Drill Bit. Fix all six Anchor Brackets to the concrete slab using six M8x47 Masonry Anchors (Figure 5.2).

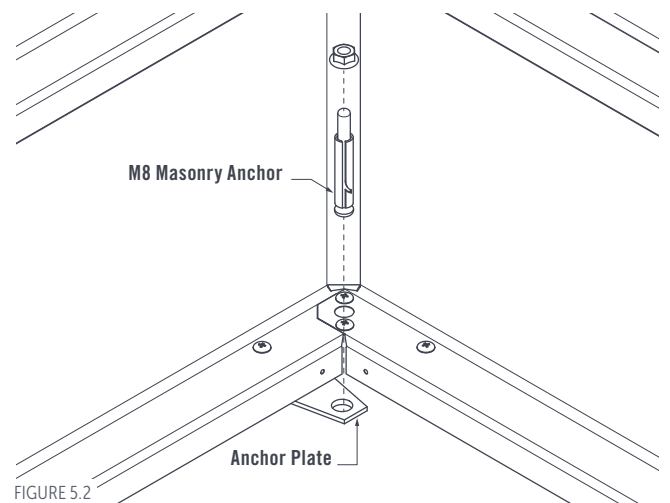


FIGURE 5.2

MAINTENANCE

Regular maintenance is essential to maintain the good looks of the Handi-Pod® Garden Shed and to ensure you receive the maximum lifespan possible. Washing with clean water must be frequent enough to prevent the accumulation of dust, salts, and pollutants which may reduce the life of the product. No material that retains water (such as dirt or paving sand) should be placed against the Handi-Pod® Garden Shed. Refer to the 'Selection, Use and Maintenance' brochure on the Stratco.com website for more information.

