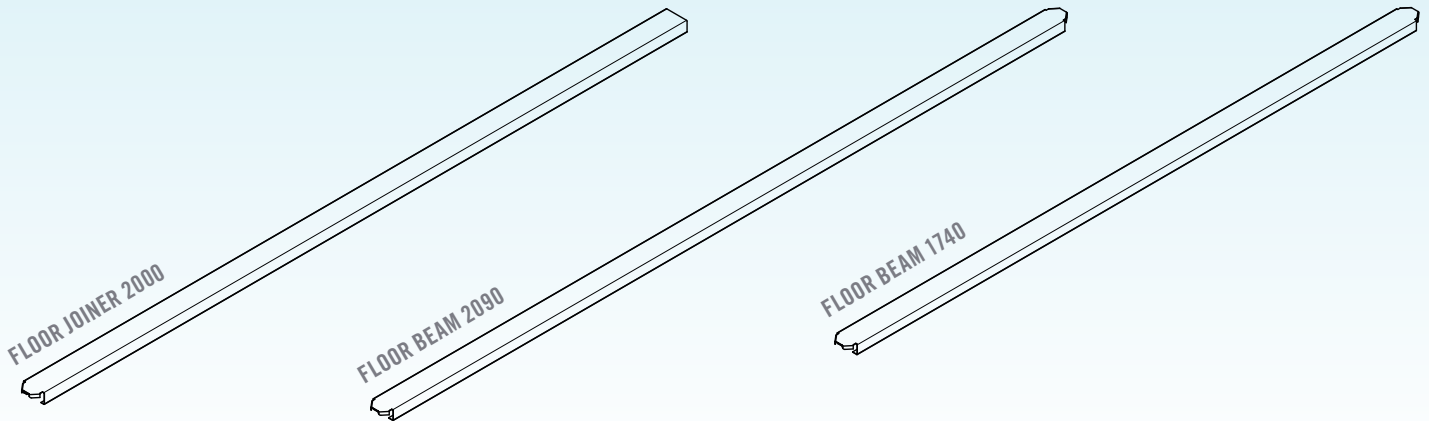




INSTALLATION GUIDE

COMPONENTS



COMPONENT SELECTION

Use the guide below to ensure you select the correct flooring components for your shed.

YOUR HANDI-MATE SHED MODEL	HM1	HM2	HM3	HM4	HM5	HM6
WHAT YOU ARE GOING TO NEED	1x BOX 1	1x BOX 2	1x BOX 3	1x BOX 4	2x BOX 3	1x BOX 2 1x BOX B
	HM7	HM8	HM9	HM10	HM11	HML
	2x BOX 1 2x BOX A	2x BOX 2 2x BOX B	2x BOX 3 2x BOX A	2x BOX 4 2x BOX B	3x BOX 3 3x BOX A	1x BOX 1 1x BOX A

FLOORING OPTIONS

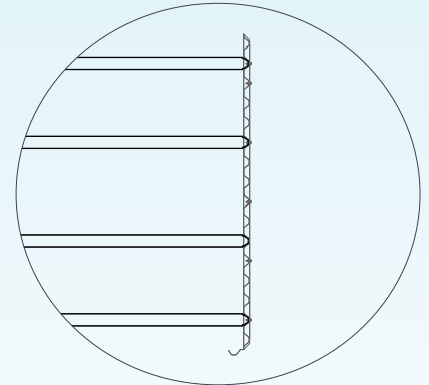
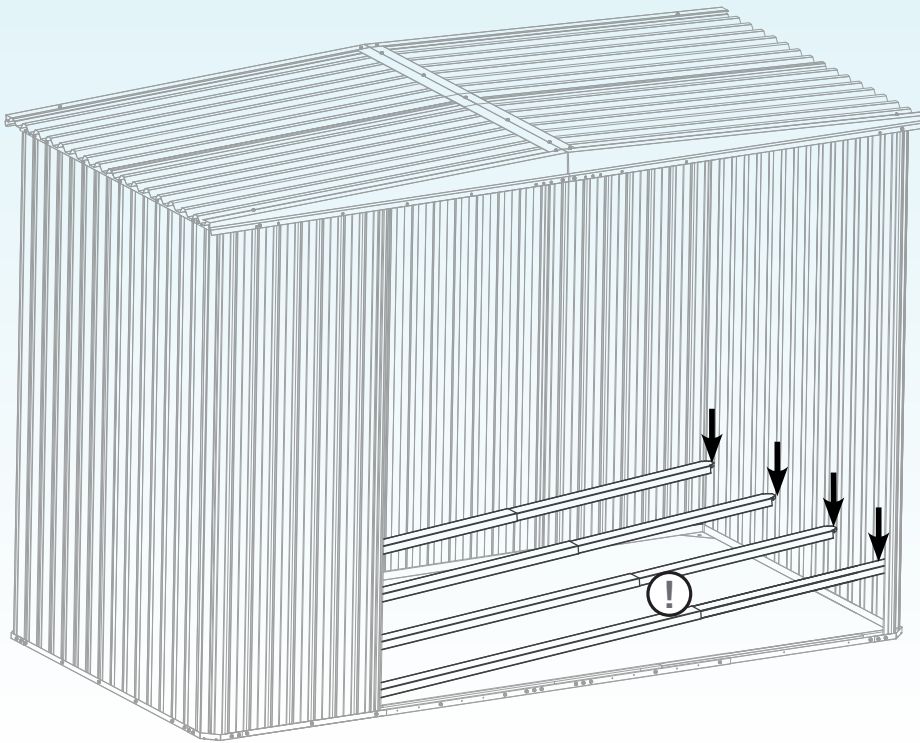
Handi-Mate Flooring kits are compatible with floor sheets or timber decking. Stratco offer a range of timber flooring options, enquire in-store or at stratco.com.au for more information.

HANDI-MATE™ FLOORING KIT

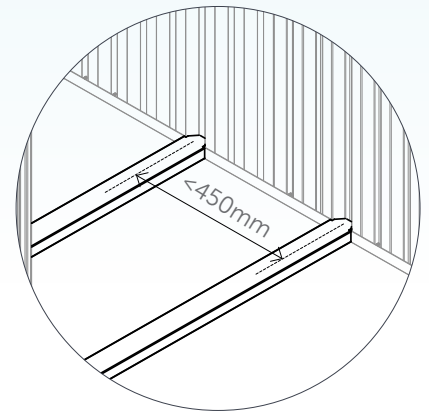


INSTALLATION

Install the Beams into the shed, ensuring the Beams are evenly spaced apart. Spacings between Beams should not exceed 450mm.

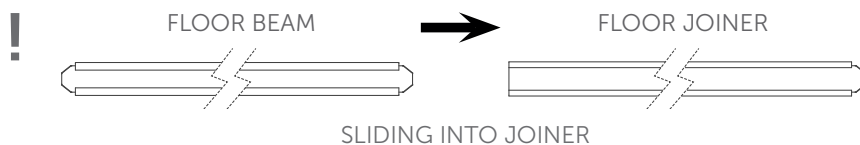


Evenly space out Beams.



Ensure a maximum distance between Beams of 450mm.

HM6, HM7, HM8, HM9, HM10, HM11 and HML Sheds require 1 Floor Beam and 1 Floor Beam Joiner to achieve the required length.



Flooring can be installed once the Floor Kit is installed. Lay down the flooring and fasten to the Floor Beams/ Joiners with appropriate screws.

- 20mm decking pine, use 10G x 45mm Metal Decking Screws.
- 10-15mm floor sheets, use 10G x 35mm Metal Decking Screws.

