



# TORRENT

SPACER GUTTER CLIP

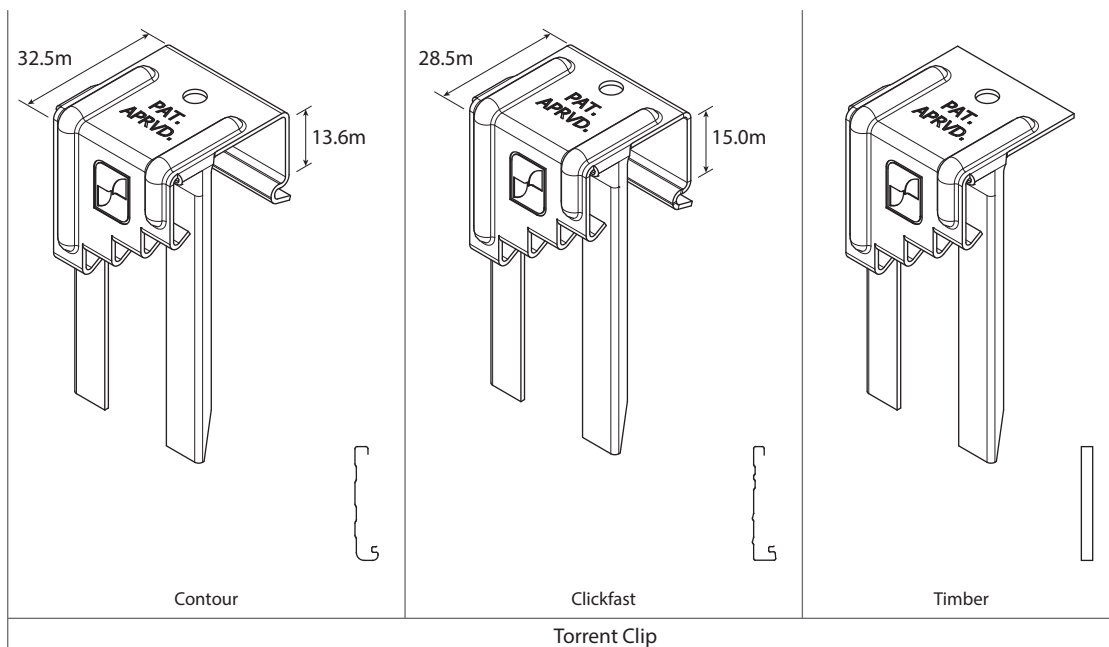
## BEFORE YOU START

It is important when designing a roof drainage system that appropriate overflow measures are considered in order to ensure water does not flow back into the building. This is particularly important for the most commonly used eaves gutters which are high fronted and designed to hide the lower edge of the roof tiles or cladding. The high front gutter design often results in the front edge of the gutter sitting at or above the top of the fascia level.

The Stratco Torrent Spacer Gutter Clip has been designed to aid the overflow of water during an exceptionally heavy rainfall period. Any overflow is able to flow through the 3.5mm space created between the back of the gutter and the front of the fascia, thereby removing the risk of the overflowing water travelling back inside the eaves.

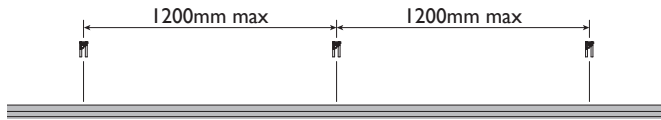
The Stratco Torrent Spacer Gutter Clip is available to suit either Contour fascia, Clickfast fascia or timber fascia. In order for the Torrent Clip to work, it must be installed between the back of the gutter and the front of the fascia in accordance with instructions on the following page.

## COMPONENTS



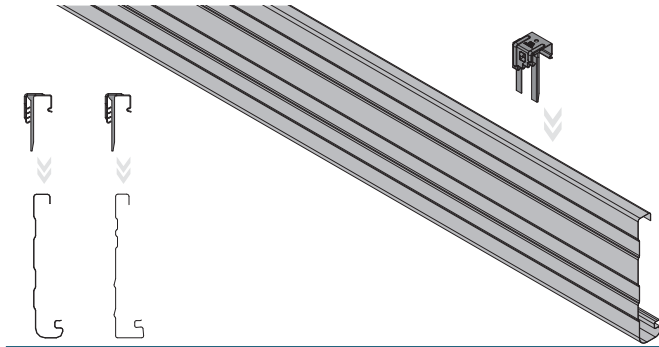
## TORRENT CLIP INSTALLATION

Install the Torrent Clip along the length of the fascia with a maximum spacing of 1200mm from centre to centre of the Torrent Clip.



### Contour/Clickfast Fascia

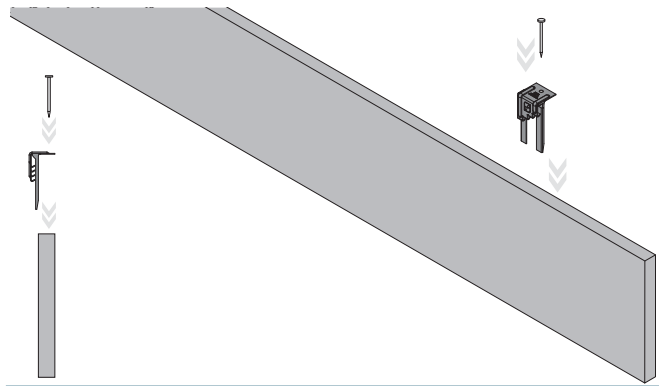
Install the Torrent Clip by vertically pressing the clip down onto the fascia.



Step 1 TORRENT CLIP - Contour/Clickfast Fascia

### Timber Fascia

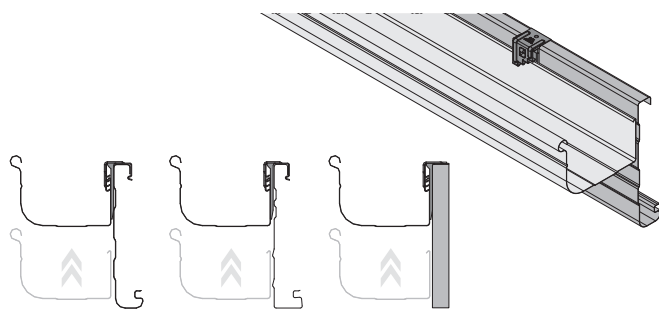
Install the Timber Torrent Clip by fixing the clip to the top of the timber fascia with a nail.



Step 1 TORRENT CLIP - Timber Fascia

## GUTTER INSTALLATION

Install the gutter by pushing/pulling the gutter vertically until the back of the gutter engages with the barbs of the Torrent Clip.



Step 2 - Gutter Installation

Install the complete gutter as per the 'Stratco Gutters and Downpipes' installation guide available on the Stratco website.

## RESPONSIBILITIES OF THE DESIGNER

It is the responsibility of the designer of the rainwater goods system (who may be the architect, builder, hydraulic engineer, home owner, roofing or guttering contractor) to design a rainwater system which allows adequate drainage to occur.

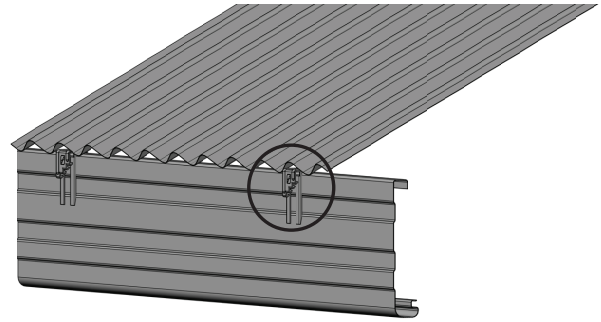
The design and installation of guttering and downpipe systems needs to comply with the Building Code of Australia and Australian Standards AS/NZS 3500.3 Plumbing and Drainage, Stormwater Drainage or AS/NZS 3500.5 Plumbing and Drainage, Housing Installations.

## RESPONSIBILITIES OF THE INSTALLER

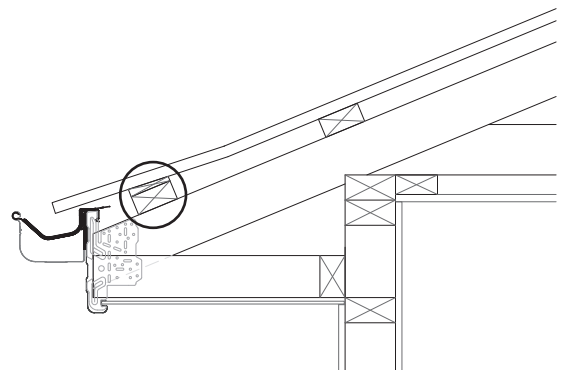
It is the responsibility of the installer to ensure that the project is installed as required by the rainwater goods designer. Adequate fall towards the downpipes must be given to gutters (a minimum of 1 in 500 for eaves gutters and 1 in 200 for internal gutters). The installer must ensure that the correct number of downpipes of sufficient size are installed, that they are clear of debris and able to discharge correctly.

## NOTE FOR ROOFING INSTALLER

In certain conditions such as a high roof pitch or a raised fascia, interference between the Torrent Clip and the roof sheeting may necessitate relocation of the Torrent Clip to align with a roof sheet rib or lowering of the fascia. In extreme cases, the packing of the last roof batten may be required.



TORRENT CLIP located to align with roof sheet rib



Packing to last roof batten (purlin)

## MAINTENANCE

Regular maintenance is essential to maintain the good looks of all Stratco steel products and to ensure you receive the maximum life-span possible in your area. Gutter systems must be regularly cleaned to prevent the build up of leaf debris, fungus or any other material that could prevent the free drainage of water from the roof.

Refer to Stratco 'Selection, Use and Maintenance' brochure for further information.



« Scan this QR code with your smart phone to find a Stratco near you.

QUEENSLAND • NEW SOUTH WALES • VICTORIA  
AUSTRALIAN CAPITAL TERRITORY • SOUTH AUSTRALIA  
WESTERN AUSTRALIA • NORTHERN TERRITORY

All brands and logos/images accompanied by ® or ™ are trade marks of Stratco (Australia) Pty Limited.  
CODE: CFATCLI / FASTCLI / TIFTCLI © Copyright June 2016

Ph: 1300 155 155  
stratco.com.au