



HORIZONTAL EZI-SLAT SCREEN ASSEMBLY

STEP 1

Lay machined frame (A1) on ground, ensuring there is protection underneath to prevent damage to the surface of the frame, and insert blades (B) one at a time into the frame. Using a soft headed mallet, tap the blades into the frame until they are fully engaged.

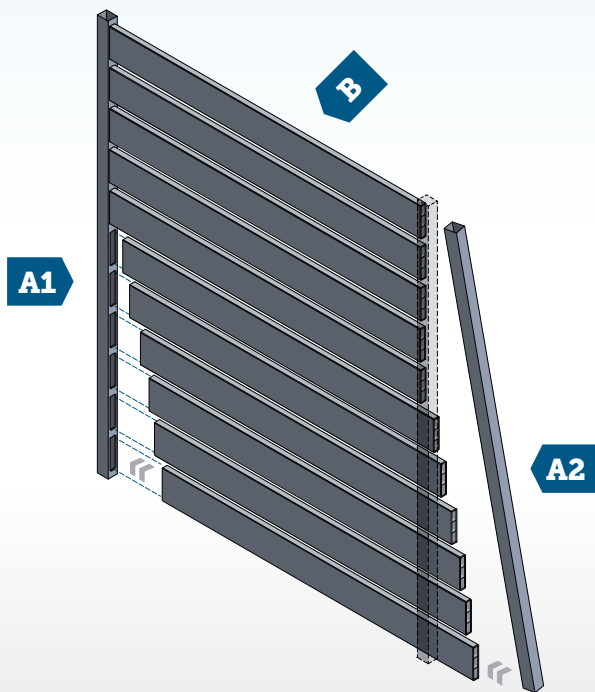


FIGURE 1.0 - EZI-SLAT PANEL ASSEMBLY

STEP 2

Starting from one end, engage the 2nd frame (A2) with the 1st blade (B) and then engage the rest of the blades, one at a time, tapping the frame (A2) as you go until all blades (B) are engaged in the frame.

OPTION A: FEED PANEL FROM THE TOP INTO U-CHANNELS AND FIX OFF PANELS WITH SCREWS.



OPTION B: FEED ONE END OF PANEL INTO THE U-CHANNEL FAR ENOUGH SO THAT THE OPPOSITE END CAN ENGAGE THE ANGLE AND FIX PANEL WITH SCREWS.

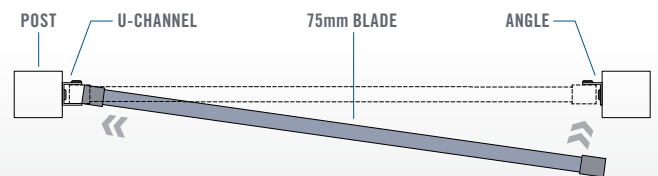


FIGURE 2.0 - ATTACHING COMPLETED EZI-SLAT PANEL TO POST

STRATCO EZI-SLAT®

ALUMINIUM SCREENING INSTALLATION GUIDE



HORIZONTAL EZI-SLAT GATE ASSEMBLY

STEP 1

Lay machined gate frame (A1) on ground, ensuring there is protection underneath to prevent damage to the surface of the frame, and insert blades (B) one at a time into the frame. Using a soft headed mallet, tap the blades into the frame until they are fully engaged.

STEP 2

Starting from one end, engage the 2nd gate frame (A2) with the 1st blade (B) and then engage the rest of the blades, one at a time, tapping the gate frame (A2) as you go until all blades (B) are engaged in the gate frame.

STEP 3

Using a good quality cordless drill, set on lowest speed, screw the supplied 75mm stainless steel screws into the pre-drilled side gate frame(A1) holes. Screw the top and bottom blades of the gate and every 3rd blade.

STEP 4

Flip the gate over and repeat process into gate frame A2.

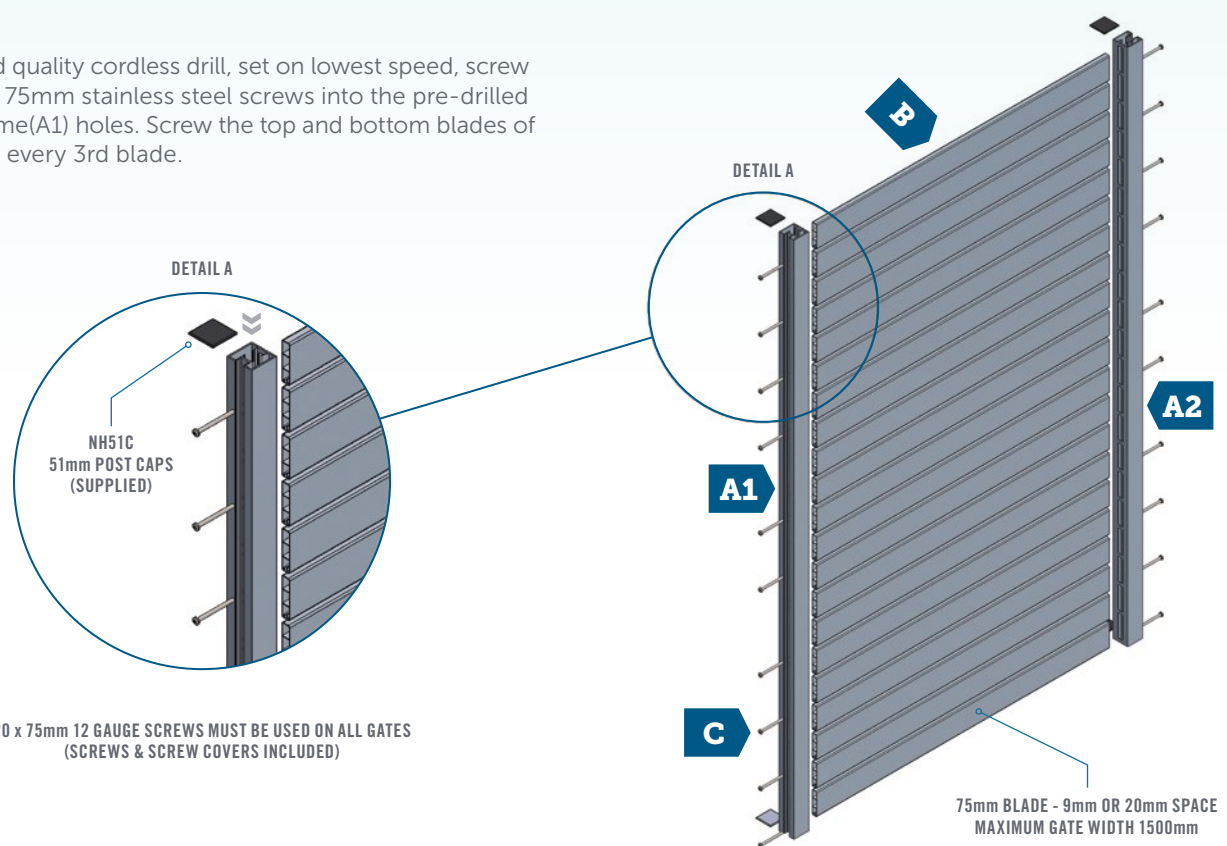
Note: Screw any extra screws where holes are available on both corresponding sides of gate frames (A1/A2).

STEP 5

Place cover strips for gate frames (A1/A2) into place and tap with mallet for full engagement.

STEP 6

Put the gate frame caps (NH51C) onto A1/A2.



20 x 75mm 12 GAUGE SCREWS MUST BE USED ON ALL GATES (SCREWS & SCREW COVERS INCLUDED)

75mm BLADE - 9mm OR 20mm SPACE
MAXIMUM GATE WIDTH 1500mm

FIGURE 3.0 - EZI-SLAT GATE ASSEMBY

MAINTENANCE

The performance of Ezi-Slat over time depends on its correct application and maintenance. Maintenance should be performed as often as is required to remove dirt, salt and pollutants. Where used in severely corrosive environments, cleaning should be performed more often. For more information refer to 'Selection, Use and Maintenance of Stratco Steel Products' Brochure.



« SCAN THIS QR CODE TO FIND A STRATCO NEAR YOU

1300 155 155
stratco.com.au

All brands and logos/images accompanied by © or ™ are trade marks of Stratco (Australia) Pty Limited. © Copyright June 2009

How To.

