








Please carefully read and follow these instructions to assemble your unit.

Please retain these instructions for future use

Images are only an indication of the general appearance and design. Specific aspects may change from time to time.

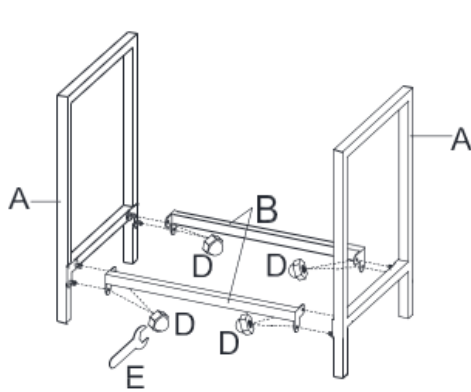
## USER ASSEMBLY INSTRUCTIONS

 A×2PCS	 B×2PCS	 C×4PCS	 D×8PCS	 E×1PC
---	---	---	---	--

8pcs fixed on the log rack, please unscrew them firstly, when you install.

Step 1

Step 2



Step 3

